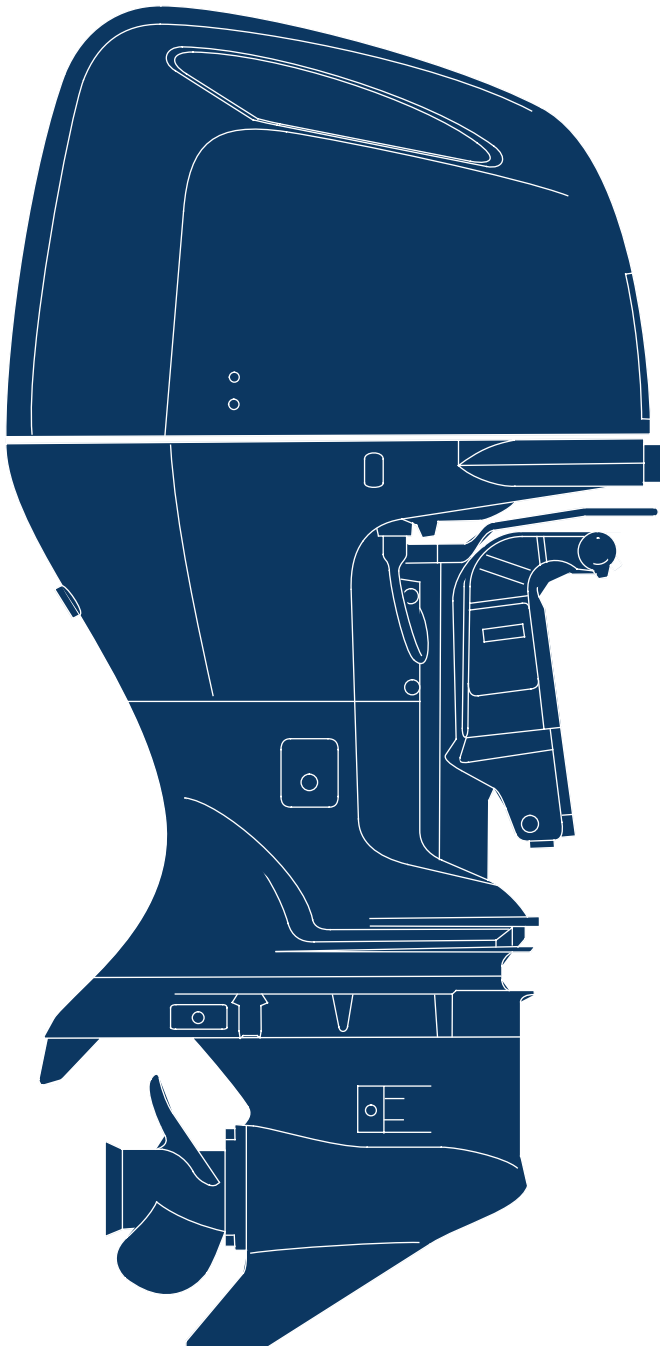


2015 PARTS CATALOG

 TOHATSU



BFT 250A

OB NO.002-14ZX2-1
1411US

Instruction for use of parts catalogue

- **This parts catalogue was prepared based on the latest information available as of October 1, 2014.**
- See the Service Bulletin for any revision that is made after October 1, 2014.
- **Always specify the part number when ordering a part.**
 - Check the model, type, serial numbers, color, maker, and the size as needed before ordering a part.
 - Note that the illustrations (part drawings) can differ from the actual parts in shape.
Illustrations are given just to help you to refer to the parts.
- **When modifications or additions to this parts catalogue are made, a revised edition will be issued at an appropriate time, with successively progressing revision numbers on the cover. We recommend obtaining such revisions in order to keep your parts catalogue up-to-date at all times.**

Initial version issue date October 1, 2014

CONTENTS

| | | |
|---------|------------------------------------------------|-----|
| E-1 | CYLINDER HEAD COVER | 1 |
| E-3 | CYLINDER BLOCK | 3 |
| E-3-10 | CRANKCASE | 7 |
| E-4 | EXHAUST MANIFOLD/THERMOSTAT | 9 |
| E-5 | OIL PUMP/FLYWHEEL | 11 |
| E-6 | OIL PAN | 13 |
| E-6-10 | MOUNT CASE | 15 |
| E-6-20 | MOUNT CASE BOLT | 19 |
| E-7 | CRANKSHAFT/PISTON | 21 |
| E-9 | CYLINDER HEAD | 25 |
| E-9-10 | CAMSHAFT/ROCKER ARM | 27 |
| E-13 | TIMING BELT | 29 |
| E-13-10 | TIMING BELT COVER | 33 |
| E-14 | FUEL PIPE/INJECTOR | 35 |
| E-14-10 | INTAKE MANIFOLD | 39 |
| E-15 | THROTTLE BODY | 41 |
| E-18 | VAPOR SEPARATOR ASSY | 43 |
| E-18-1 | WATER SEPARATOR/FUEL STRAINER | 47 |
| E-18-10 | PIPING | 51 |
| E-19 | A.C.GENERATOR | 53 |
| E-20 | SPARK PLUG | 55 |
| E-20-10 | ELECTRONIC CONTROL UNIT | 57 |
| E-21 | STARTER MOTOR | 59 |
| F-2 | SHIFT SHAFT | 63 |
| F-3 | GEAR CASE | 67 |
| F-3-10 | GEAR CASE ASSY | 69 |
| F-3-20 | EXTENSION CASE | 71 |
| F-4 | WATER PUMP/VERTICAL SHAFT | 77 |
| F-5 | PROPELLER SHAFT | 81 |
| F-5-1 | PROPELLER SHAFT (COUNTER ROTATION) | 85 |
| F-6 | FUEL TUBE | 89 |
| F-7 | WIRE HARNESS | 91 |
| F-7-10 | STARTER CABLE | 93 |
| F-7-20 | FUSE BOX/RELAY | 95 |
| F-8 | ENGINE COVER | 97 |
| F-8-10 | FR.COVER BRACKET/FR.LOCK SHAFT | 99 |
| F-8-20 | FUEL TUBE (2) | 103 |
| F-10 | STERN BRACKET/SWIVEL CASE | 105 |
| F-11 | POWER TRIM-TILT | 111 |
| F-12 | LABEL | 115 |
| F-13 | TOOL | 117 |
| FOP-1 | REMOTE CONTROL (TOP MOUNT SINGLE TYPE) (RIGHT) | 119 |
| FOP-1-2 | REMOTE CONTROL (TOP MOUNT DUAL TYPE) (RIGHT) | 123 |
| FOP-1-4 | REMOTE CONTROL (FLUSH MOUNT DUAL TYPE) (RIGHT) | 127 |
| FOP-1-6 | REMOTE CONTROL | 129 |
| FOP-3 | METER | 135 |
| FOP-5 | BOLT KIT | 137 |
| FOP-6 | SWITCH PANEL KIT | 139 |
| FOP-7 | CONTROL PANEL (1) | 141 |
| FOP-7-1 | CONTROL PANEL (2) | 143 |
| FOP-8 | PROPELLER | 145 |
| FOP-9 | TRIM ADJUST PLATE SET | 147 |
| FOP-10 | INTERFACE CABLE KIT | 149 |
| FOP-12 | GEAR CASE KIT | 151 |
| FOP-13 | PANEL INTERFACE CABLE SET | 153 |
| | INDEX | 155 |
| | INDEX (Parts Number) | 161 |

How to refer to the part information

A. Reference with "Illustrated index"

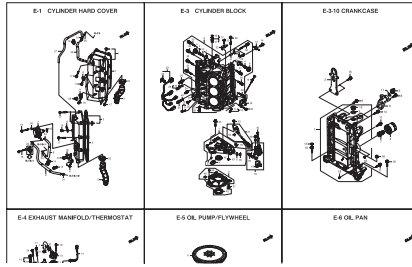
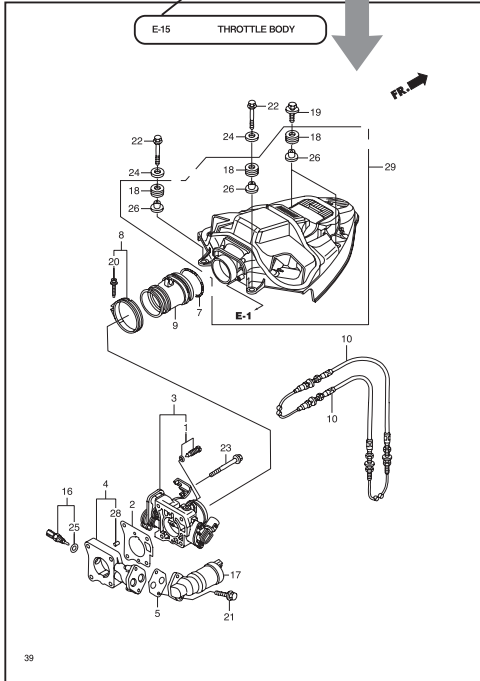


Fig. Number

Ref. Number/Part Number/Parts Name



| Ref.No. | Part No. | Description | Q'ty (if 2/3/4) | Remarks |
|---------|----------|----------------|-------------------------|---------|
| E-15 | 1 | H2Y-18116-003 | SCREEN SET | 1 |
| E-15 | 2 | H2Y-18116-000 | GASKET, THROTTLE BODY | 1 |
| E-15 | 3 | H2Y-1840-001 | THROTTLE BODY ASSY. | 1 |
| E-15 | 4 | H2Z-1840-000 | SPACER, THROTTLE BODY | 1 |
| E-15 | 5 | H2Y-18405-000 | GASKET, EAC VALVE | 1 |
| E-15 | 7 | HPY-1549-000 | SPRING, AIR FLOW TUBE | 1 |
| E-15 | 8 | H2Y-1710-000 | BAND, AIR FLOW | 1 |
| E-15 | 9 | H2Z-1710-000 | CROWMET, SILENCER | 1 |
| E-15 | 10 | H2Y-1710-013 | CABLE COMP, THROTTLE | 2 |
| E-15 | 14 | H2W-3565-000 | SENSOR ASSY, AIR TEMP | 1 |
| E-15 | 17 | H2Y-3830-000 | VALVE ASSY, EAC | 1 |
| E-15 | 18 | H2Y-4102-000 | CROWMET, UNDER CASE | 4 |
| E-15 | 18 | H2W-18013-000 | BOLT-WASHER, EX25 | 2 |
| E-15 | 20 | H2Y-46011-000 | BOLT-WASHER, EX30 | 1 |
| E-15 | 21 | H2Y-46020-000 | BOLT, FLANGE, EX22 | 2 |
| E-15 | 22 | H2Y-46024-000 | BOLT, FLANGE, EX30 | 2 |
| E-15 | 23 | H2Y-46031-000 | BOLT, FLANGE, EX35 | 4 |
| E-15 | 24 | H2Y-46038-000 | WASHER, FLANK, EXM | 2 |
| E-15 | 25 | HPDM-8130-002 | O-RING | 1 |
| E-15 | 26 | H2Y-91553-010 | COLLAR, C.D.I UNIT CASE | 4 |
| E-15 | 28 | H2D-9421-00100 | DOBEL, PIN, EX10 | 2 |
| E-15 | 29 | H2Z-18540-010 | COVER ASSY, COOLING FAN | 1 |

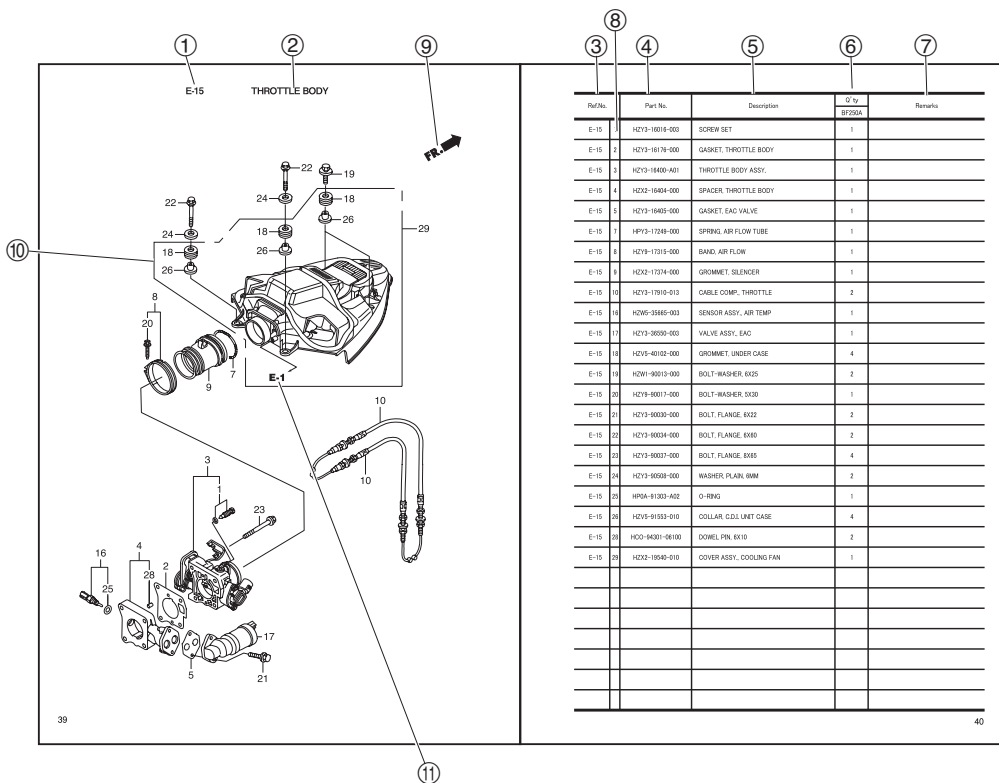
B. Reference with "Parts number index"

| INDEX (Parts Number) | | | | | |
|----------------------|---------|-------------|----------|-------------|---------|
| 102-31550-0 | 1315 | 346-64805-0 | 11A-203 | 309-62433-1 | 13-44 |
| 106-00110-0 | 47 | 346-64806-0 | 11B-284 | 309-64261-0 | 11B-103 |
| 106-00720-0 | 5-20 | 346-64811-0 | 11B-27 | 309-64262-1 | 11B-102 |
| 106-00720-0 | 8-12 | 346-64812-0 | 11B-26 | 309-64266-0 | 6-32 |
| 106-00720-0 | 8-17 | 346-64813-0 | 11B-13 | 309-64268-0 | 8-31 |
| 106-00720-0 | 9-30 | 346-64814-0 | 11B-15 | 309-64269-0 | 8-32 |
| 106-00820-0 | 9-40 | 346-64815-0 | 11B-18 | 309-64286-0 | 10-5 |
| 132-00002-0 | 2-26 | 346-64816-0 | 11B-19 | 309-70200-0 | 16-12 |
| 132-00002-0 | 11-3 | 346-64817-0 | 11A-15-2 | 398-00530-0 | 16-27 |
| 132-00000-0 | 3-27 | 346-64818-0 | 11A-15-3 | 398-00570-0 | 8-34 |
| 132-00000-0 | 11-4 | 346-64819-0 | 24-74 | 398-02296-1 | 12-18 |
| 132-00000-0 | 24-2 | 346-64820-0 | 11A-12 | 398-02297-1 | 12-3 |
| 132-00100-0 | 11B | 346-64821-0 | 11A-12 | 398-70201-0 | 16-26 |
| 132-00110-0 | 25-63 | 346-64822-0 | 11A-21 | 398-70202-0 | 24-10 |
| 132-00110-0 | 2-28 | 346-64823-0 | 11A-22 | 398-70203-0 | 2-28 |
| 132-02101-0 | 13-47 | 346-64817-0 | 11A-23 | 340-70079-0 | 7-24 |
| 132-02101-0 | 11B-16 | 346-64817-0 | 11A-27 | 340-70079-0 | 8-24 |
| 132-02220-0 | 11A-16 | 346-64817-0 | 24-70 | 340-70079-0 | 9-41 |
| 132-02220-0 | 24-3 | 346-64817-0 | 11B-20 | 343-60250-0 | 11B-46 |
| 132-06210-0 | 11A-13 | 346-64822-0 | 12-46 | 343-60830-0 | 22-9 |
| 132-06210-0 | 24-7 | 346-64823-0 | 12-61 | 343-60830-0 | 12-67 |
| 132-70210-0 | 20-11 | 346-64831-0 | 12-82-2 | 343-72960-0 | 22-5 |
| 132-00110-0 | 12-44 | 346-64834-0 | 11A-13 | 343-72970-0 | 22-7 |
| 134-00110-0 | 8-3 | 346-64834-0 | 12-74 | 343-76017-0 | 8-26-1 |
| 134-00110-0 | 11A-24 | 346-64834-0 | 12-20 | 343-76017-0 | 8-26-2 |
| 136-00710-0 | 15-23 | 346-00110-0 | 12-21 | 343-76017-0 | 8-26 |
| 136-00710-0 | 25-41-2 | 346-00110-0 | 12-2 | 343-76017-0 | 22-3 |
| 136-00870-0 | 23-47 | 346-00114-0 | 8-25 | 343-76115-1 | 22-11 |

C. Reference with "Parts name index"

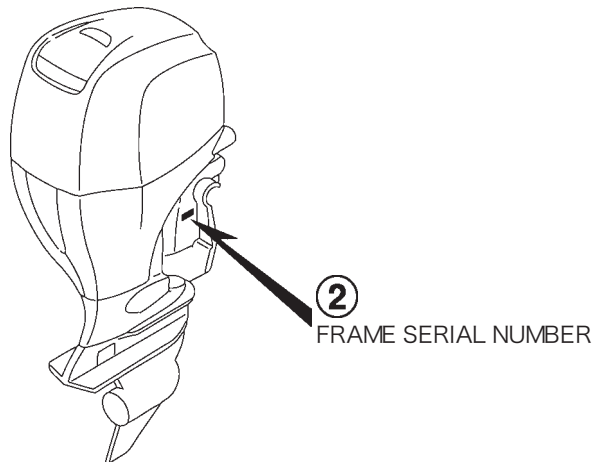
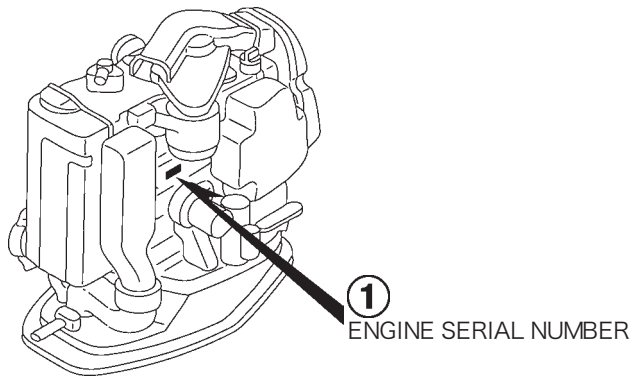
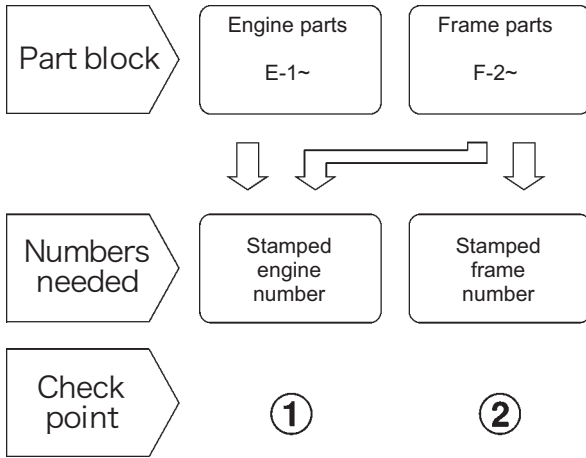
| INDEX | | | | |
|-------|------------------------|---------|------|--------|
| <A> | SCREW | 1-28 | 10CT | 9-63 |
| <A> | ADJUSTING NUT | 1-8 | 10CT | 10-20 |
| <A> | ADJUSTING SCREW | 1-8 | 10CT | 10-20 |
| <A> | ADJUSTING SCREW | 15-12 | 10CT | 10-34 |
| <A> | WASHER | 5-60 | 10CT | 10-22 |
| <A> | AIR FLOW ASSY | 6-47 | 10CT | 11A-2 |
| <A> | ALTERNATOR ASSY | 6-2 | 10CT | 11A-23 |
| <A> | ANODE | 1-14 | 10CT | 11A-35 |
| <A> | ANODE | 1-21 | 10CT | 11A-35 |
| <A> | ANODE | 1-15 | 10CT | 11A-39 |
| <A> | ANODE FLANG | 1-12 | 10CT | 11B-4 |
| <A> | ARCH | 10-20 | 10CT | 12-4 |
| <A> | AIRFLOW CORRECTOR | 23-46-2 | 10CT | 11B-8 |
| <A> | AIRFLOW CORRECTOR | 23-46-1 | 10CT | 12-4 |
| <A> | AIRFLOW CORRECTOR | 22-32 | 10CT | 12-20 |
| <A> | AIRFLOW CORRECTOR | 23-46-3 | 10CT | 12-4 |
| <A> | ARM | 14-14 | 10CT | 12-46 |
| <A> | BACK-UP RING | 14-14 | 10CT | 14-46 |
| <A> | BALL BEARING | 14-21 | 10CT | 15-50 |
| <A> | BALL BEARING | 11B-30 | 10CT | 15-68 |
| <A> | BALL BEARING | 11B-5 | 10CT | 15-68 |
| <A> | BALL CONTACT CONNECTOR | 17-22 | 10CT | 12-48 |
| <A> | BALL CONTACT | 22-17 | 10CT | 13-4 |
| <A> | BAND 104 | 8-26 | 10CT | 12-8 |
| <A> | BAND 104 | 8-30 | 10CT | 13-18 |
| <A> | BAND 104 | 6-75 | 10CT | 14-26 |
| <A> | BAND 158 | 8-31 | 10CT | 14-32 |

Part catalogue structure



- ① Fig. Number
- ② Fig. Title
- ③ Ref. Number
- ④ Parts Number
- ⑤ Parts Name
- ⑥ Q.ty
- ⑦ Remarks
- ⑧ Different specification
- ⑨ Direction Arrow
- ⑩ Parts enclosed within a dotted line are sub assembly parts.
- ⑪ A solid arrow indicates the block No. the part in question is connected to.

How to check the part block and serial numbers



Models, parts catalogue codes and applicable serial numbers

- Models, parts catalogue codes and applicable serial Nos. given in this parts catalogue can be identified as follows.

| Model | Type | Parts catalogue type | Engine | | Applicable engine serial No. | Applicable frame serial No. |
|----------|------|----------------------|---------|------|------------------------------|-----------------------------|
| | | | Model | Type | | |
| BFT 250A | LA | LA | BF 250A | SE | BEBJJ-1000001~ | BBJJ-6000098~ |
| | XA | XA | | | | |
| | XCA | XCA | | | | BBJJ-7000017~ |

Features of each type

- See the following table for the features of each type. (Items in brackets are optional)

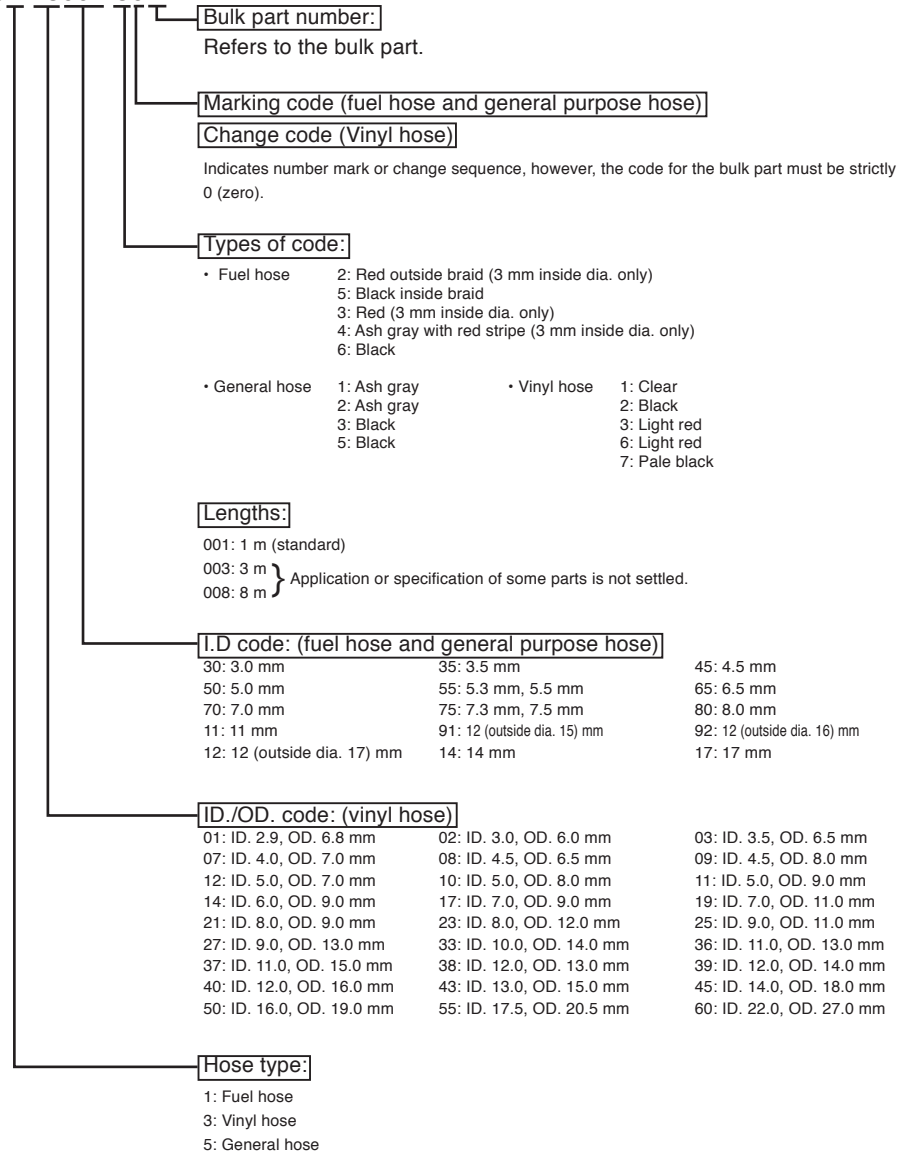
| Specifications | | Model | BFT 250A | | |
|------------------|--------|-------|----------|----|-----|
| | | Type | LA | XA | XCA |
| Transom height | 508 mm | ● | | | |
| | 635 mm | | ● | ● | |
| Trim tab | | ● | ● | | |
| Counter rotation | | | | ● | |

Fuel hose, general purpose hoses and vinyl hose

- The standard part fuel hose, general purpose hose and vinyl hose may be substituted by the coiled bulk part.
- When ordering the standard part fuel hose, general purpose hose and vinyl hose use the bulk part number written in the parts catalog in brackets () underneath the part name.
- When exchanging the hose, cut and use at the specified length as mentioned in the part name. (For the method of cutting the bulk part, and method of filling out orders etc., please refer to the instructions issued with the bulk part.)

Bulk part number of fuel hose, general purpose hose and vinyl hose.

Example: 95001-75001-50M

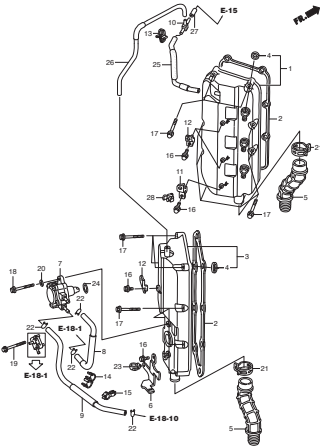


CAUTION: It is DANGEROUS to confuse the fuel hose with the general purpose hose or vinyl hose.

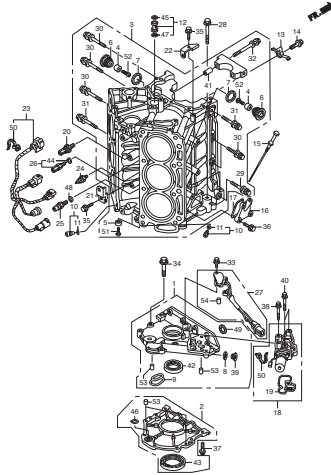
Never use a general purpose hose or vinyl hose in place of a fuel hose or vice versa.

Always use the correct bulk part in the parts catalogue, according to the service manual or the instructions issued with the bulk part.

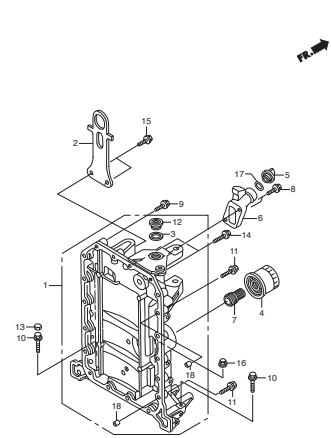
E-1 CYLINDER HEAD COVER



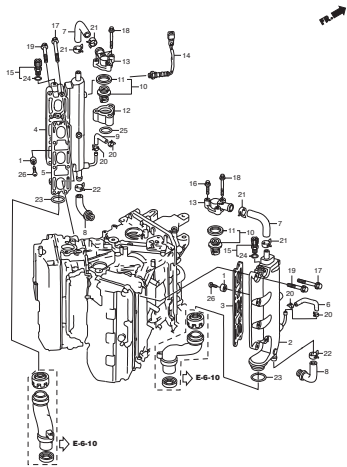
E-3 CYLINDER BLOCK



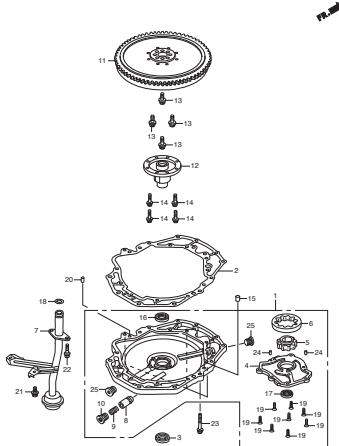
E-3-10 CRANKCASE



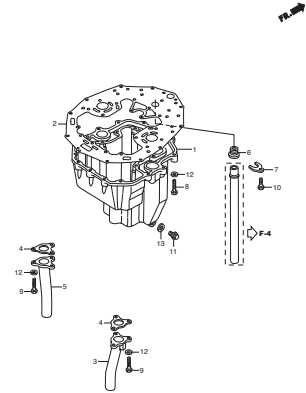
E-4 EXHAUST MANIFOLD/THERMOSTAT



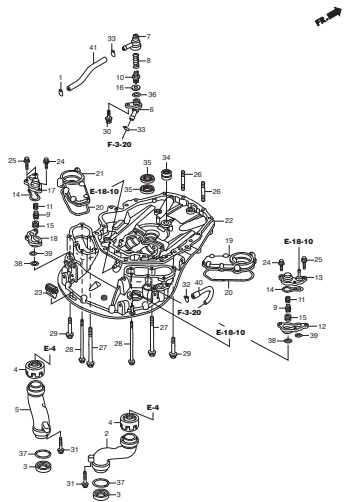
E-5 OIL PUMP/FLYWHEEL



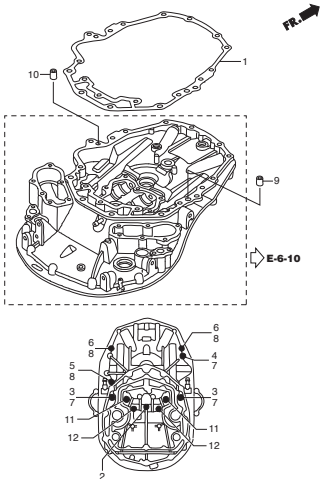
E-6 OIL PAN



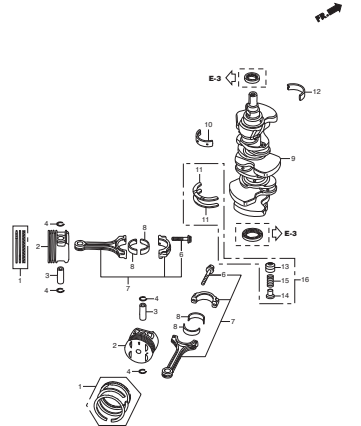
E-6-10 MOUNT CASE



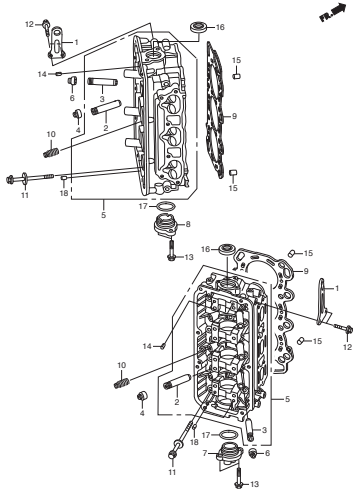
E-6-20 MOUNT CASE BOLT



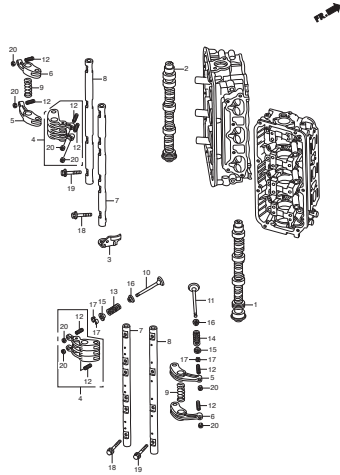
E-7 CRANKSHAFT/PISTON



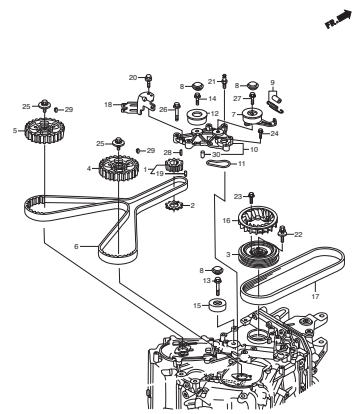
E-9 CYLINDER HEAD



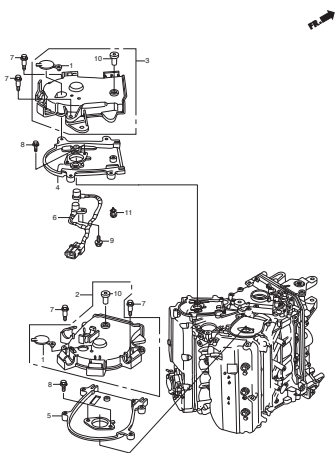
E-9-10 CAMSHAFT/ROCKER ARM



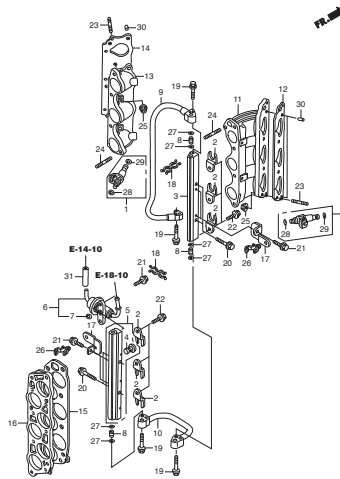
E-13 TIMING BELT



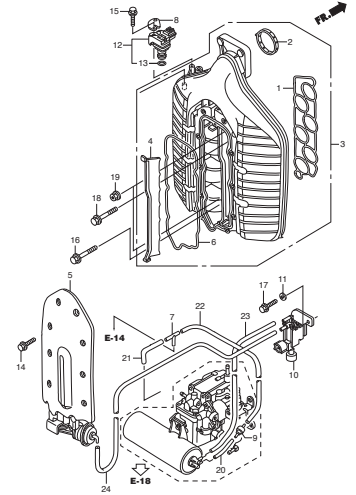
E-13-10 TIMING BELT COVER



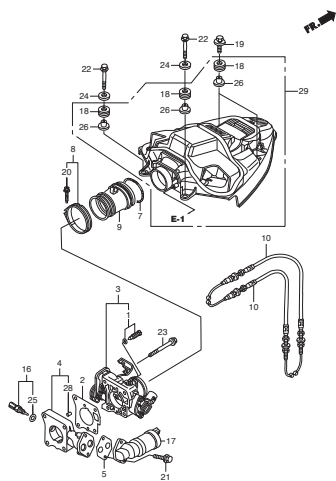
E-14 FUEL PIPE/INJECTOR



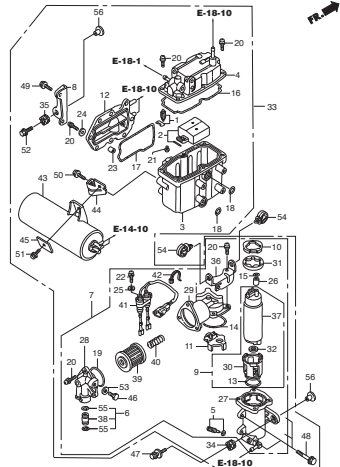
E-14-10 INTAKE MANIFOLD



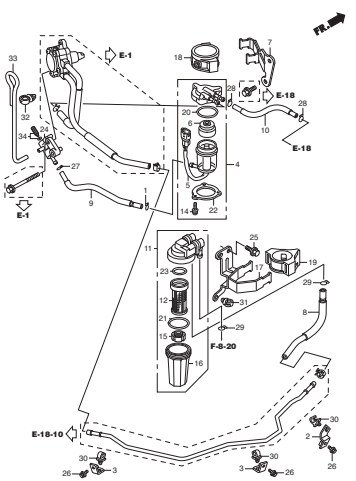
E-15 THROTTLE BODY



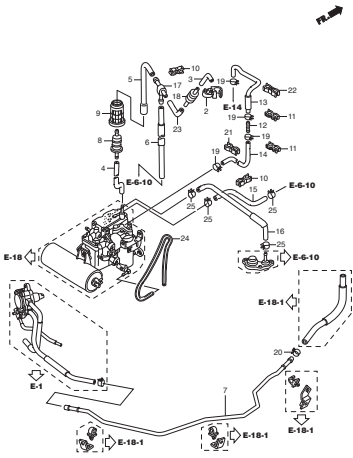
E-18 VAPOR SEPARATOR ASSY



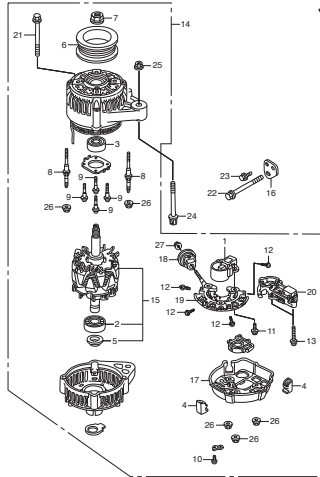
E-18-1 WATER SEPARATOR/FUEL STRAINER



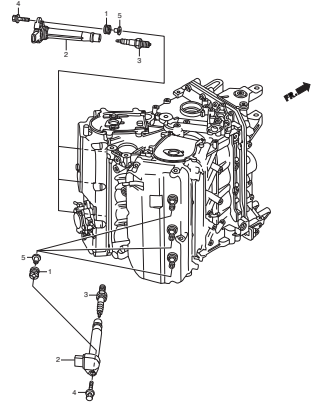
E-18-10 PIPING



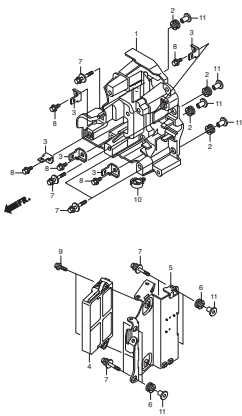
E-19 A.C.GENERATOR



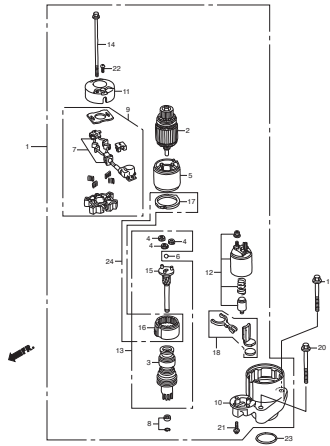
E-20 SPARK PLUG



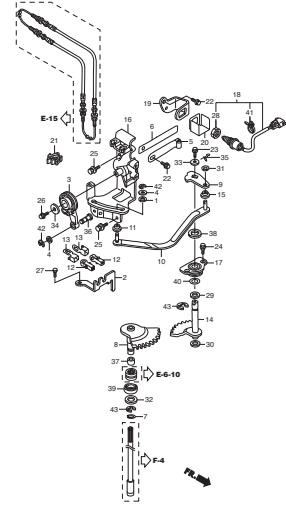
E-20-10 ELECTRONIC CONTROL UNIT



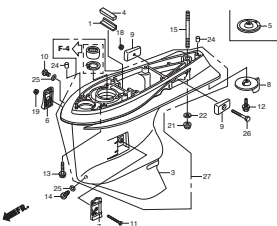
E-21 STARTER MOTOR



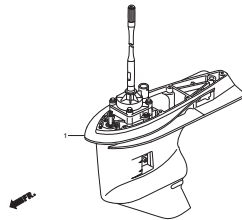
F-2 SHIFT SHAFT



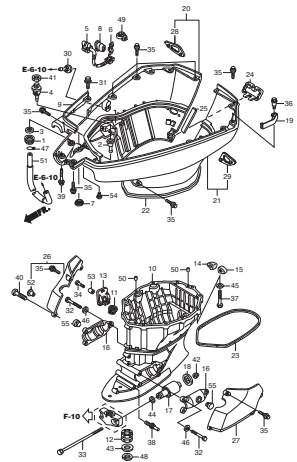
F-3 GEAR CASE



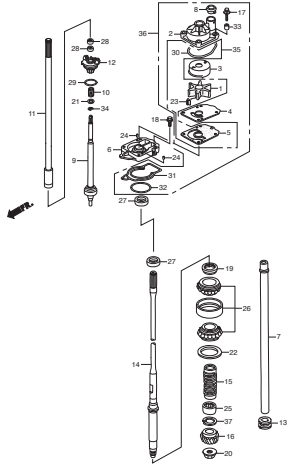
F-3-10 GEAR CASE ASSY



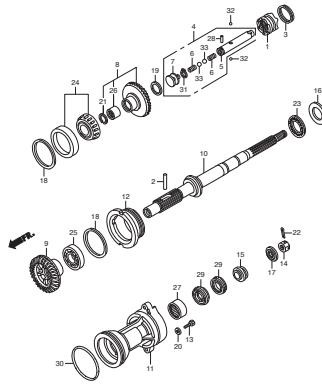
F-3-20 EXTENSION CASE



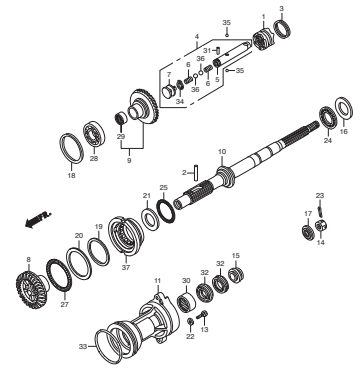
F-4 WATER PUMP/VERTICAL SHAFT



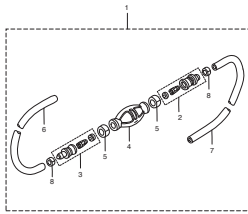
F-5 PROPELLER SHAFT



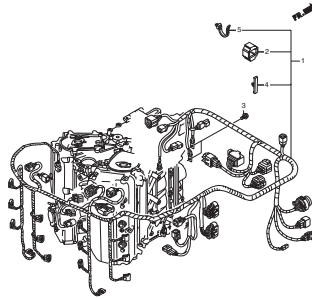
F-5-1 PROPELLER SHAFT (COUNTER ROTATION)



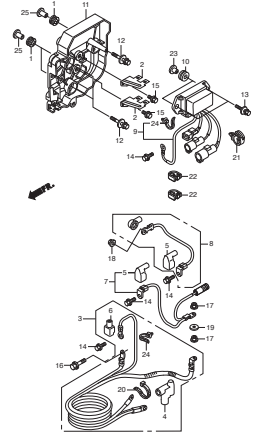
F-6 FUEL TUBE



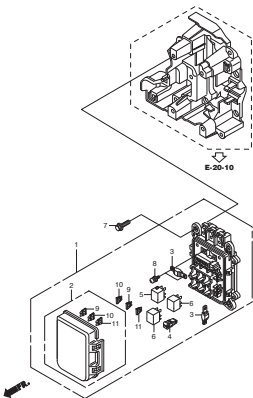
F-7 WIRE HARNESS



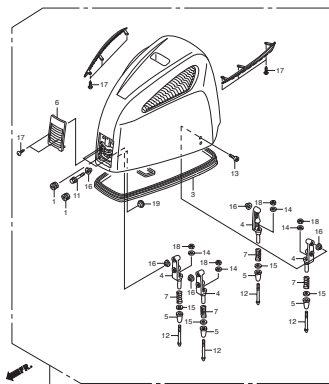
F-7-10 STARTER CABLE



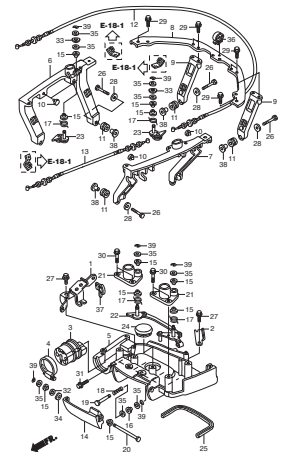
F-7-20 FUSE BOX/RELAY



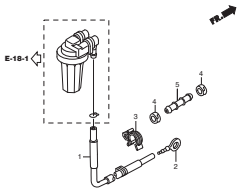
F-8 ENGINE COVER



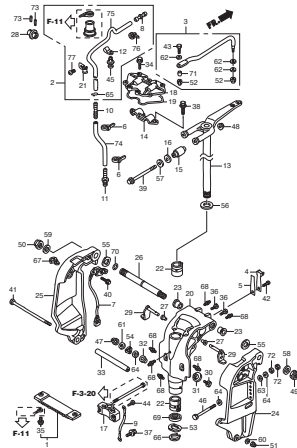
F-8-10 FR.COVER BRACKET/FR.LOCK SHAFT



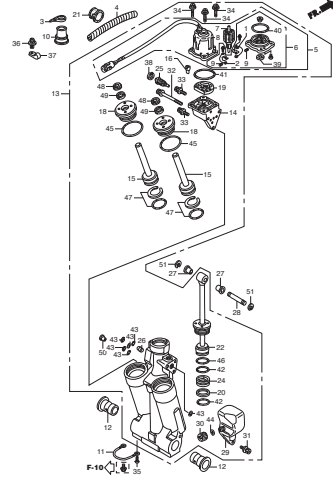
F-8-20 FUEL TUBE (2)



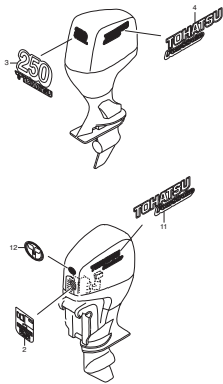
F-10 STERN BRACKET/SWIVEL CASE



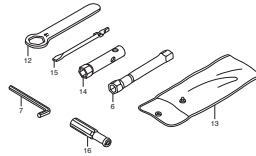
F-11 POWER TRIM-TILT



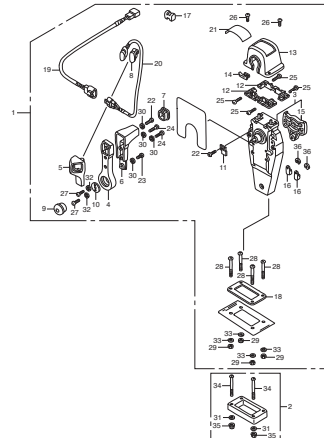
F-12 LABEL



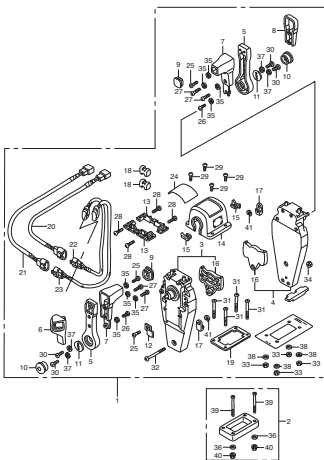
F-13 TOOL



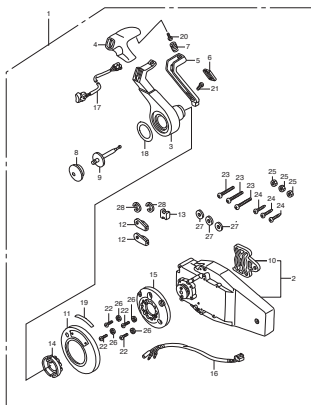
FOP-1 REMOTE CONTROL (TOP MOUNT SINGLE TYPE) (RIGHT)



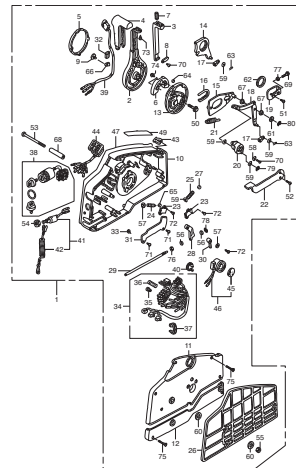
FOP-1-2 REMOTE CONTROL (TOP MOUNT DUAL TYPE) (RIGHT)



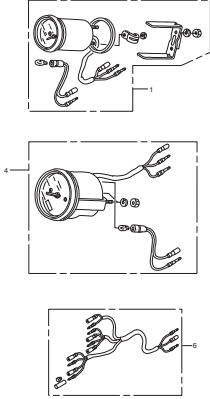
FOP-1-4 REMOTE CONTROL (FRUSH MOUNT TYPE) (RIGHT)



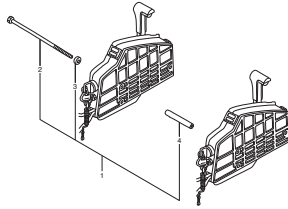
FOP-1-6 REMOTE CONTROL



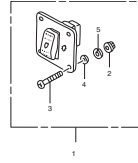
FOP-3 METER



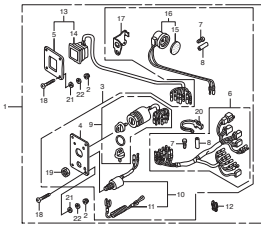
FOP-5 BOLT KIT



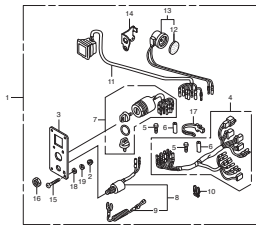
FOP-6 SWITCH PANEL KIT



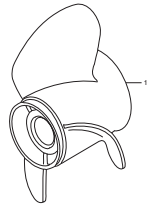
FOP-7 CONTROL PANEL (1)



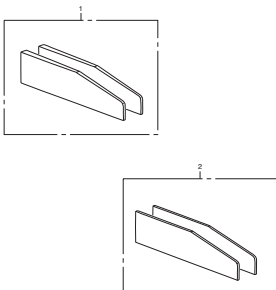
FOP-7-1 CONTROL PANEL (2)



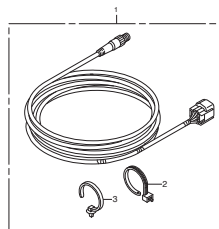
FOP-8 PROPELLER



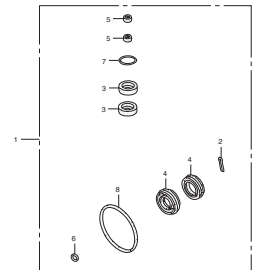
FOP-9 TRIM ADJUST PLATE SET



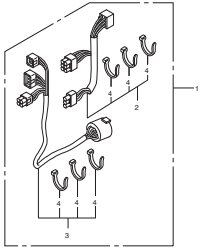
FOP-10 INTERFACE CABLE KIT



FOP-12 GEAR CASE KIT

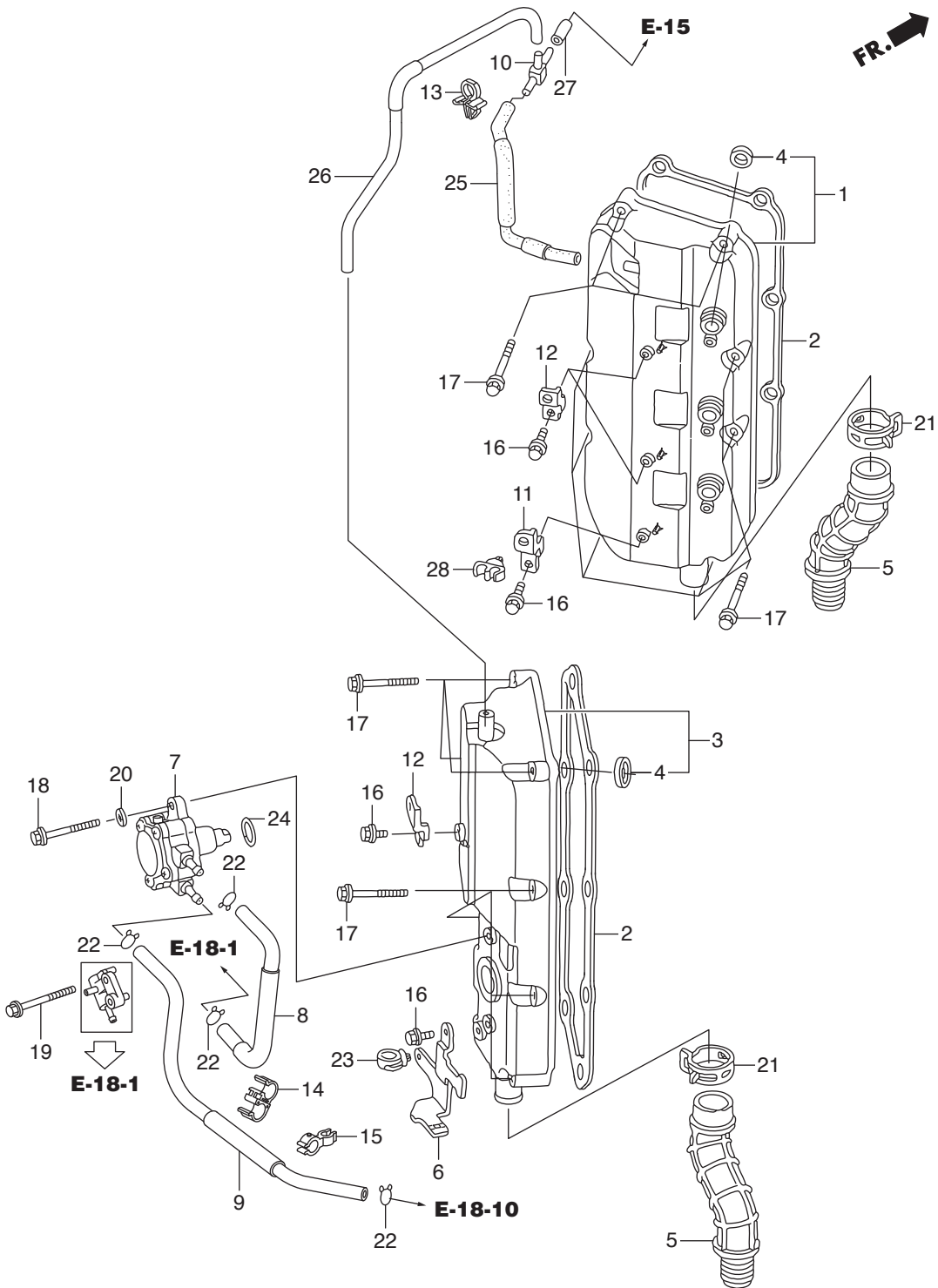


FOP-13 PANEL INTERFACE CABLE SET



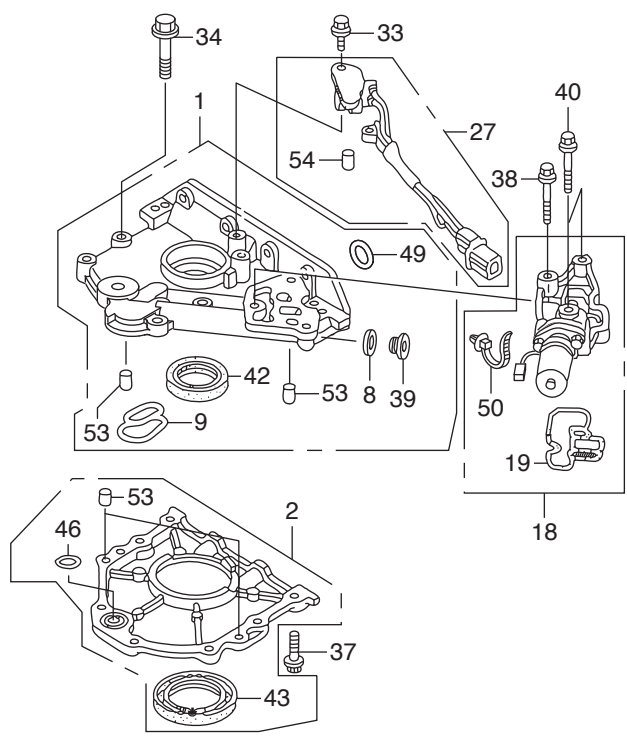
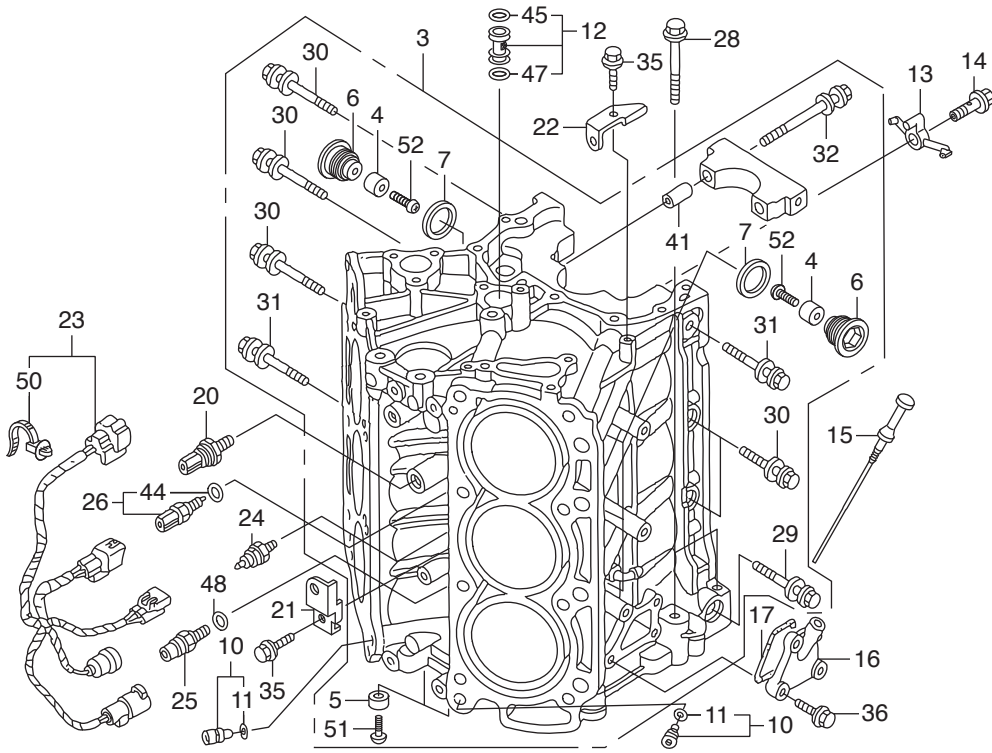
E-1

CYLINDER HEAD COVER



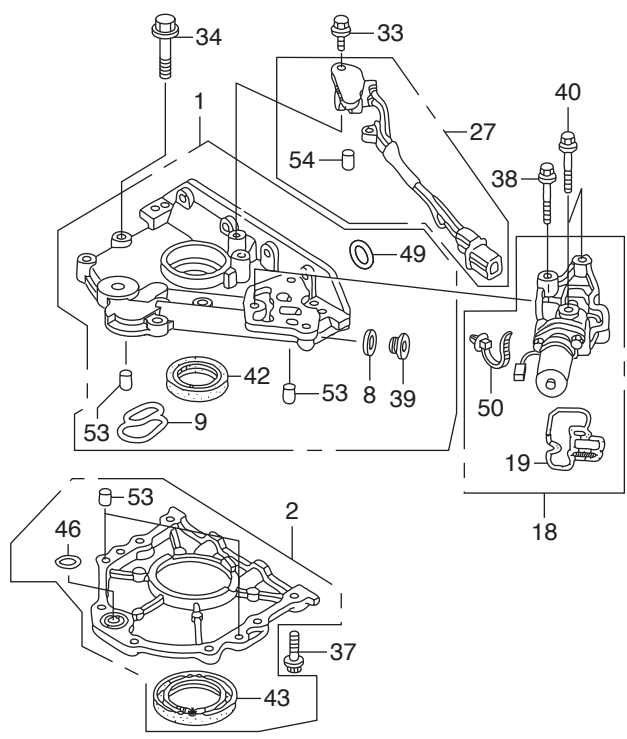
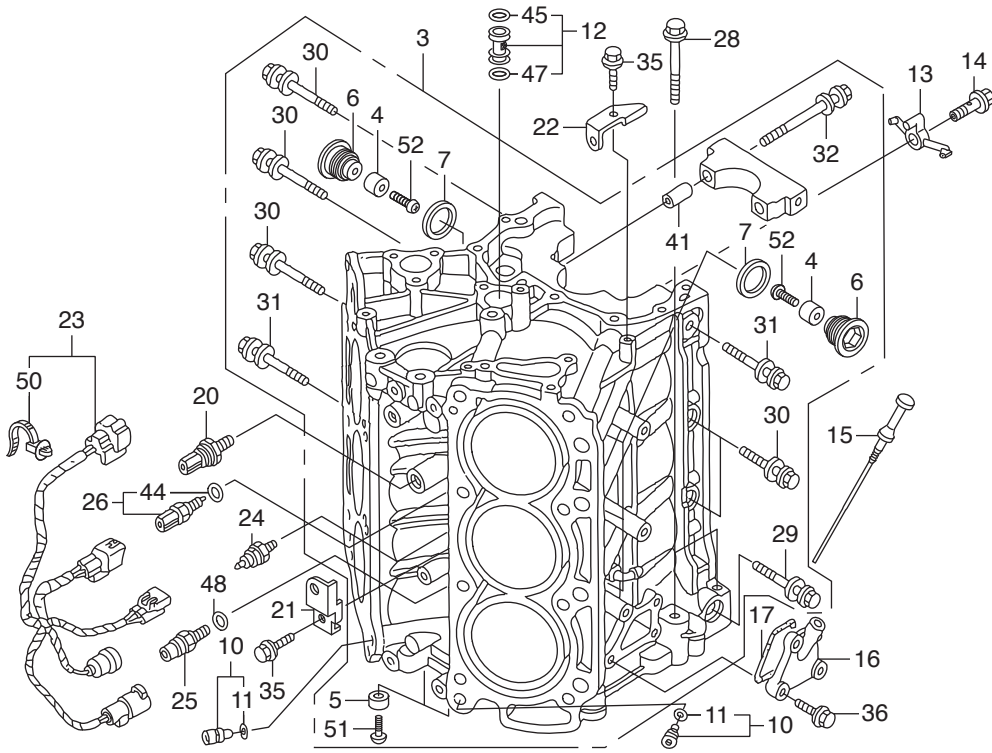
| Ref.No. | Part No. | Description | Q' ty | Remarks | |
|---------|----------|------------------|----------------------------|---------|-----------------|
| | | | BFT250A | | |
| E-1 | 1 | HZY3-12310-405ZA | COVER, R. CYLINDER HEAD | 1 | *NH8* DARK GRAY |
| E-1 | 2 | HZY3-12312-000 | PACKING, HEAD COVER | 2 | |
| E-1 | 3 | HZY3-12320-405ZA | COVER, L. CYLINDER HEAD | 1 | *NH8* DARK GRAY |
| E-1 | 4 | HP08-12342-004 | SEAL, SPARK PLUG TUBE(NOK) | 6 | |
| E-1 | 5 | HZY3-15425-010 | TUBE, OIL | 2 | |
| E-1 | 6 | HZY3-16203-000 | BRACKET, SOLENOID VALVE | 1 | |
| E-1 | 7 | HZX2-16700-003 | PUMP ASSY., FUEL | 1 | |
| E-1 | 8 | HZX2-16870-C00 | TUBE COMP., FUEL(C) | 1 | |
| E-1 | 9 | HZY3-16895-C00 | TUBE COMP. G, FUEL | 1 | |
| E-1 | 10 | HMT2-17193-000 | T-JOINT | 1 | |
| E-1 | 11 | HZW9-32114-730 | BRACKET, CLIP B | 1 | |
| E-1 | 12 | HZY3-32129-000 | BRACKET C, HARNESS CLIP | 3 | |
| E-1 | 13 | HHE0-50310-003 | CLIP A, WIRE | 1 | |
| E-1 | 14 | HSE0-53740-953 | CLIP, SENSOR HOSE | 1 | |
| E-1 | 15 | HSD9-54316-013 | CLIP, SHIFT WIRE | 1 | |
| E-1 | 16 | HZW9-90011-000 | BOLT, FLANGE, 6X14(CT200) | 5 | |
| E-1 | 17 | HZW9-90019-000 | BOLT, FLANGE, 6X35 | 16 | |
| E-1 | 18 | HZY3-90036-000 | BOLT, FLANGE, 8X32 | 1 | |
| E-1 | 19 | HZW4-90126-000 | BOLT, FLANGE, 8X45 | 1 | |
| E-1 | 20 | HZY3-90406-000 | WASHER, PLAIN, 8MM | 1 | |
| E-1 | 21 | HZY3-90602-020 | CLAMP, TUBE(D32.5) | 2 | |
| E-1 | 22 | HZV0-90604-000 | CLIP, TUBE(B12) | 4 | |
| E-1 | 23 | HZB7-90691-003 | CLIP, HARNESS | 1 | |
| E-1 | 24 | HKT7-91305-003 | O-RING, 37X2.4(ARAI) | 1 | |
| E-1 | 25 | HZY3-91401-A00 | TUBE COMP. A, BREATHER | 1 | |
| E-1 | 26 | HZY3-91402-020 | TUBE B, BREATHER | 1 | |
| E-1 | 27 | HZY3-91403-000 | TUBE C, BREATHER | 1 | |
| E-1 | 28 | HSK7-91566-003 | CLIP D, WASHER TUBE | 1 | |
| | | | | | |

FR. 



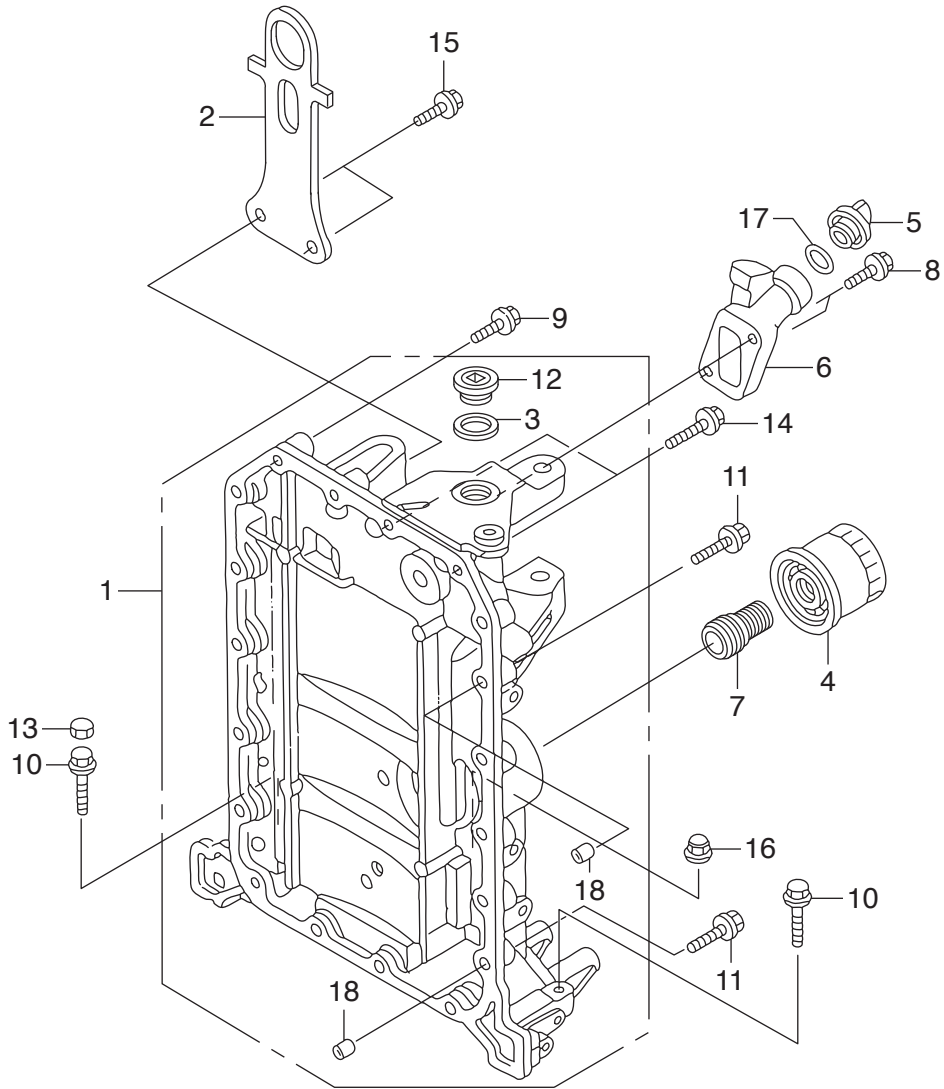
| Ref.No. | Part No. | Description | Q' ty | Remarks | |
|---------|----------|------------------|------------------------------|---------|-----------------|
| | | | BFT250A | | |
| E-3 | 1 | HZY3-11200-010ZA | COVER ASSY., CRANKCASE UPPER | 1 | *NH8* DARK GRAY |
| E-3 | 2 | HZY3-11300-C00 | CASE ASSY., OIL SEAL | 1 | |
| E-3 | 3 | HZX2-12000-405ZA | BLOCK ASSY., CYLINDER | 1 | *NH8* DARK GRAY |
| E-3 | 4 | HZV4-12155-A00 | METAL, ANODE | 6 | |
| E-3 | 5 | HZY3-12155-000 | METAL, ANODE | 2 | |
| E-3 | 6 | HZY3-12164-000 | BOLT, SEALING, 22MM | 6 | |
| E-3 | 7 | HZY3-12171-305 | WASHER, SEALING, 22MM | 6 | |
| E-3 | 8 | HZV5-12214-000 | WASHER, SEALING(22MM) | 1 | |
| E-3 | 9 | HP8A-15115-A01 | PACKING, OIL HOLE | 1 | |
| E-3 | 10 | HP8A-15140-A00 | ORIFICE ASSY., OIL CONTROL | 2 | |
| E-3 | 11 | HP8A-15142-A00 | O-RING, 8.8X2.4 | 2 | |
| E-3 | 12 | HP8A-15150-A00 | JOINT ASSY., OIL PIPE | 1 | |
| E-3 | 13 | HR70-15280-A00 | BODY, OIL JET | 3 | |
| E-3 | 14 | HRJA-15290-000 | BOLT COMP., OIL JET | 3 | |
| E-3 | 15 | HZX2-15655-000 | GAUGE COMP., OIL LEVEL | 1 | |
| E-3 | 16 | HZY3-15656-000 | COVER, OIL LEVEL GAUGE | 1 | |
| E-3 | 17 | HZY3-15657-000 | PACKING, OIL LEVEL GAUGE | 1 | |
| E-3 | 18 | HZY3-15810-003ZA | VALVE ASSY., SPOOL | 1 | *NH8* DARK GRAY |
| E-3 | 19 | HZY3-15825-003 | FILTER ASSY., SPOOL VALVE | 1 | |
| E-3 | 20 | HRNA-30530-A01 | SENSOR COMP., KNOCK | 1 | |
| E-3 | 21 | HZW9-32114-730 | BRACKET, CLIP B | 1 | |
| E-3 | 22 | HZY3-32116-000 | BRACKET B, HARNESS CLIP | 1 | |
| E-3 | 23 | HZY3-32193-C00 | CORD, SWITCH | 1 | |
| E-3 | 24 | HZW9-35490-003 | SWITCH ASSY., OIL PRESSURE | 1 | |
| E-3 | 25 | HZY3-35490-004 | SWITCH ASSY., OIL PRESSURE | 1 | |
| E-3 | 26 | HZY3-35673-003 | SENSOR ASSY., WATER | 1 | TEMPERATURE |
| E-3 | 27 | HZY3-35700-003 | SENSOR ASSY., CRANK | 1 | |
| E-3 | 28 | HZY3-90001-000 | BOLT, FLANGE, 12X95 | 2 | |
| E-3 | 29 | HZY3-90006-003 | BOLT-WASHER, 10X109 | 1 | |

FR. 



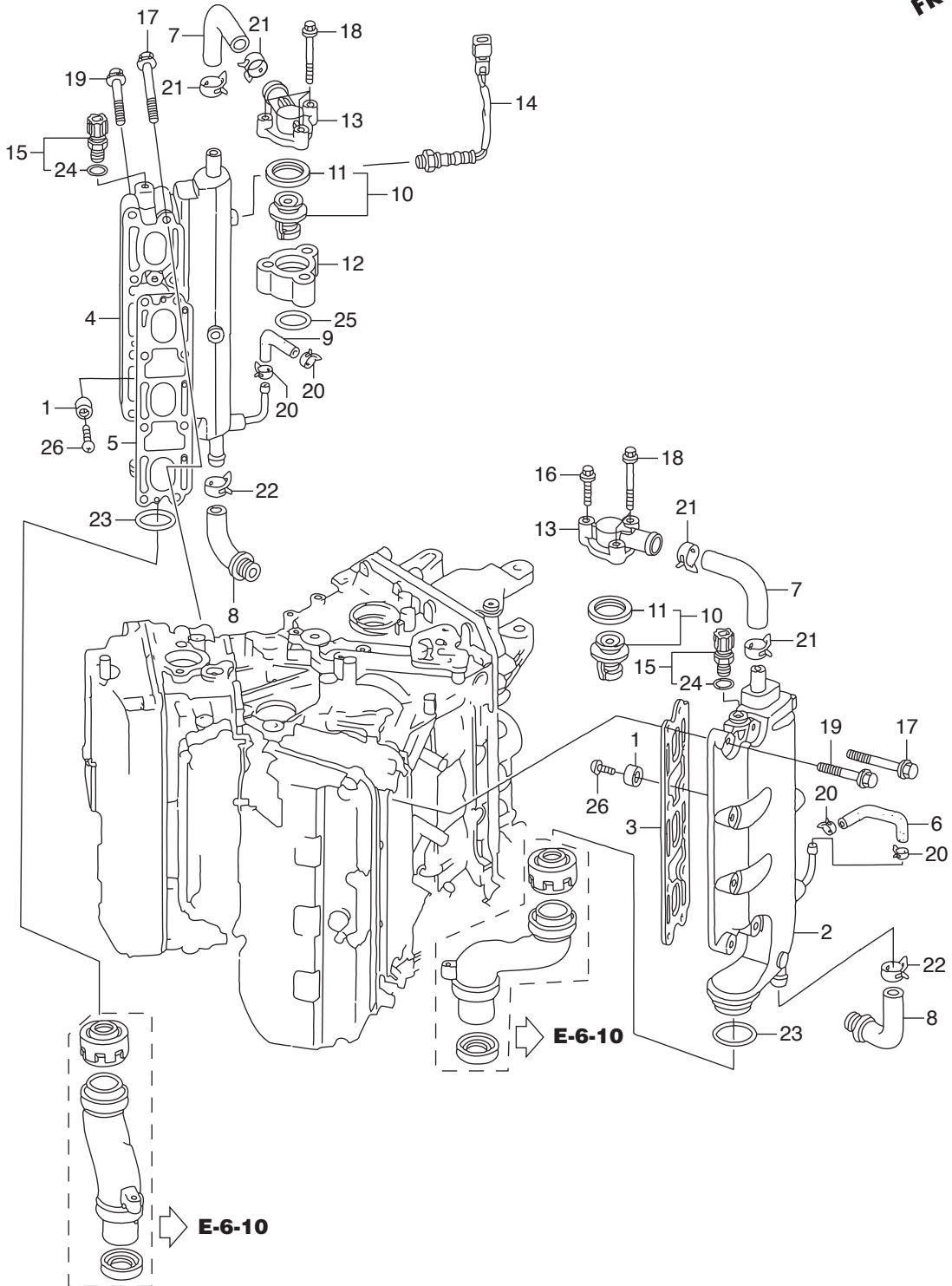
| Ref.No. | Part No. | Description | Q' ty | Remarks | |
|---------|----------|--------------------|---------------------------|---------|---------|
| | | | BFT250A | | |
| E-3 | 30 | HZY3-90008-003 | BOLT-WASHER, 10X60 | 5 | |
| E-3 | 31 | HZY3-90009-003 | BOLT-WASHER, 10X80 | 2 | |
| E-3 | 32 | HRCA-90014-A01 | BOLT-WASHER, 11X105 | 8 | |
| E-3 | 33 | HZY3-90017-000 | BOLT, FLANGE, 6X16 | 1 | |
| E-3 | 34 | HZW9-90019-000 | BOLT, FLANGE, 6X35 | 7 | |
| E-3 | 35 | HZY3-90021-000 | BOLT, FLANGE, 6X14 | 2 | |
| E-3 | 36 | HZY3-90028-000 | BOLT, FLANGE, 6X18 | 4 | |
| E-3 | 37 | HZY3-90030-000 | BOLT, FLANGE, 6X22 | 8 | |
| E-3 | 38 | HZY3-90038-000 | BOLT, FLANGE, 8X75 | 1 | |
| E-3 | 39 | HZV5-90081-010 | BOLT, SEALING, 22MM | 1 | |
| E-3 | 40 | HZW4-90156-000 | BOLT, FLANGE, 8X50 | 2 | |
| E-3 | 41 | HPH7-90715-000 | DOWEL PIN, 13X37 | 8 | |
| E-3 | 42 | HZY3-91212-003 | OIL SEAL, 41X66X8 | 1 | |
| E-3 | 43 | HPNA-91214-014 | OIL SEAL, 80X98X10(ARAI) | 1 | |
| E-3 | 44 | HPNA-91307-003 | O-RING, 9.5X1.9 | 1 | |
| E-3 | 45 | HP8A-91308-A01 | O-RING, 18.3X3.5 | 1 | |
| E-3 | 46 | HPK1-91308-003 | O-RING, 26.2X2.4(NOK) | 1 | |
| E-3 | 47 | HP8A-91309-A01 | O-RING, 16.3X3.5 | 1 | |
| E-3 | 48 | HPR3-91319-003 | O-RING, 13X1.5(ARAI) | 1 | |
| E-3 | 49 | HP0X-91321-003 | O-RING, 25X2.4(NOK) | 1 | |
| E-3 | 50 | HS0A-91541-003 | CLIP, HARNESS BAND(BLACK) | 2 | (145MM) |
| E-3 | 51 | HCO-93500-05016-4J | SCREW, PAN, 5X16 | 2 | |
| E-3 | 52 | HCO-93500-05020-4J | SCREW, PAN, 5X20 | 6 | |
| E-3 | 53 | HCO-94301-06100 | DOWEL PIN, 6X10 | 4 | |
| E-3 | 54 | HCO-94303-05080 | DOWEL PIN, 5X8 | 1 | |
| | | | | | |
| | | | | | |
| | | | | | |
| | | | | | |

FR. 

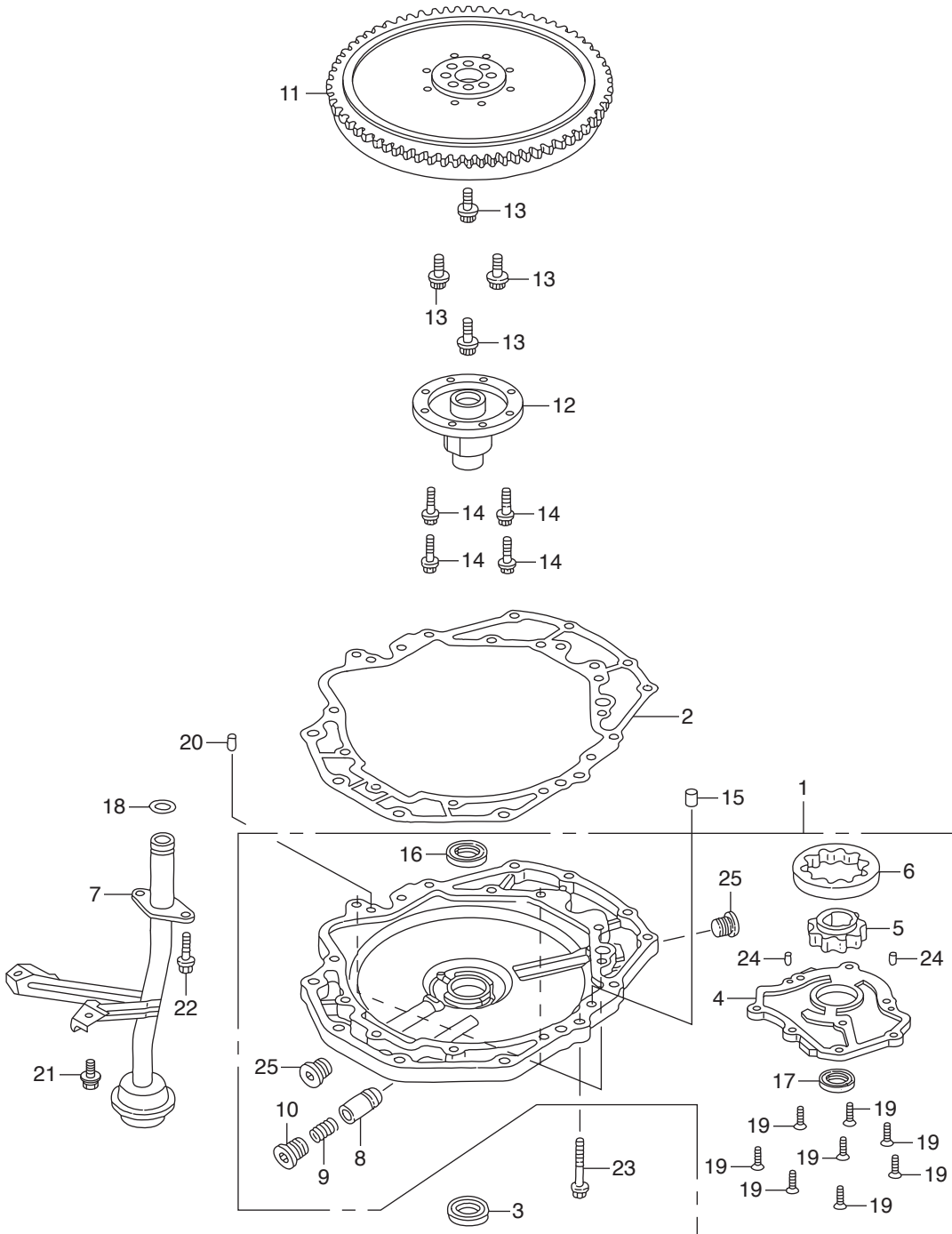


| Ref.No. | Part No. | Description | Q' ty | Remarks | |
|---------|----------|-----------------|-----------------------|---------|-------------|
| | | | BFT250A | | |
| E-3-10 | 1 | HZY3-11100-415 | CRANKCASE COMP. | 1 | |
| E-3-10 | 2 | HZX2-11911-000 | HANGER, ENGINE | 1 | |
| E-3-10 | 3 | HZV5-12214-000 | WASHER, SEALING(22MM) | 1 | |
| E-3-10 | 4 | HRTA-15400-004 | CARTRIDGE, OIL FILTER | 1 | (TOYO ROKI) |
| E-3-10 | 5 | H921-15611-000 | CAP, OIL(YELLOW) | 1 | |
| E-3-10 | 6 | HZW1-15631-000 | EXTENSION, OIL FILLER | 1 | |
| E-3-10 | 7 | HPH1-90015-013 | HOLDER, OIL FILTER | 1 | |
| E-3-10 | 8 | HZY3-90030-000 | BOLT, FLANGE, 6X22 | 2 | |
| E-3-10 | 9 | HZY3-90031-000 | BOLT, FLANGE, 6X32 | 15 | |
| E-3-10 | 10 | HZY3-90041-000 | BOLT, FLANGE, 10X55 | 2 | |
| E-3-10 | 11 | HZY3-90063-000 | BOLT, FLANGE, 6X37 | 2 | |
| E-3-10 | 12 | HZV5-90081-010 | BOLT, SEALING, 22MM | 1 | |
| E-3-10 | 13 | HZY3-90082-003 | CAP, BOLT, 10MM | 1 | |
| E-3-10 | 14 | HZW4-90147-000 | BOLT, FLANGE, 6X55 | 2 | |
| E-3-10 | 15 | HZW4-90151-000 | BOLT, FLANGE, 8X25 | 2 | |
| E-3-10 | 16 | HZY3-90204-000 | NUT, FLANGE CAP, 10MM | 2 | |
| E-3-10 | 17 | H805-91301-000 | O-RING, 26X2.7 | 1 | |
| E-3-10 | 18 | HCO-94301-08140 | DOWEL PIN, 8X14 | 2 | |
| | | | | | |
| | | | | | |
| | | | | | |
| | | | | | |
| | | | | | |
| | | | | | |
| | | | | | |
| | | | | | |
| | | | | | |
| | | | | | |
| | | | | | |
| | | | | | |
| | | | | | |
| | | | | | |
| | | | | | |
| | | | | | |
| | | | | | |
| | | | | | |
| | | | | | |
| | | | | | |
| | | | | | |

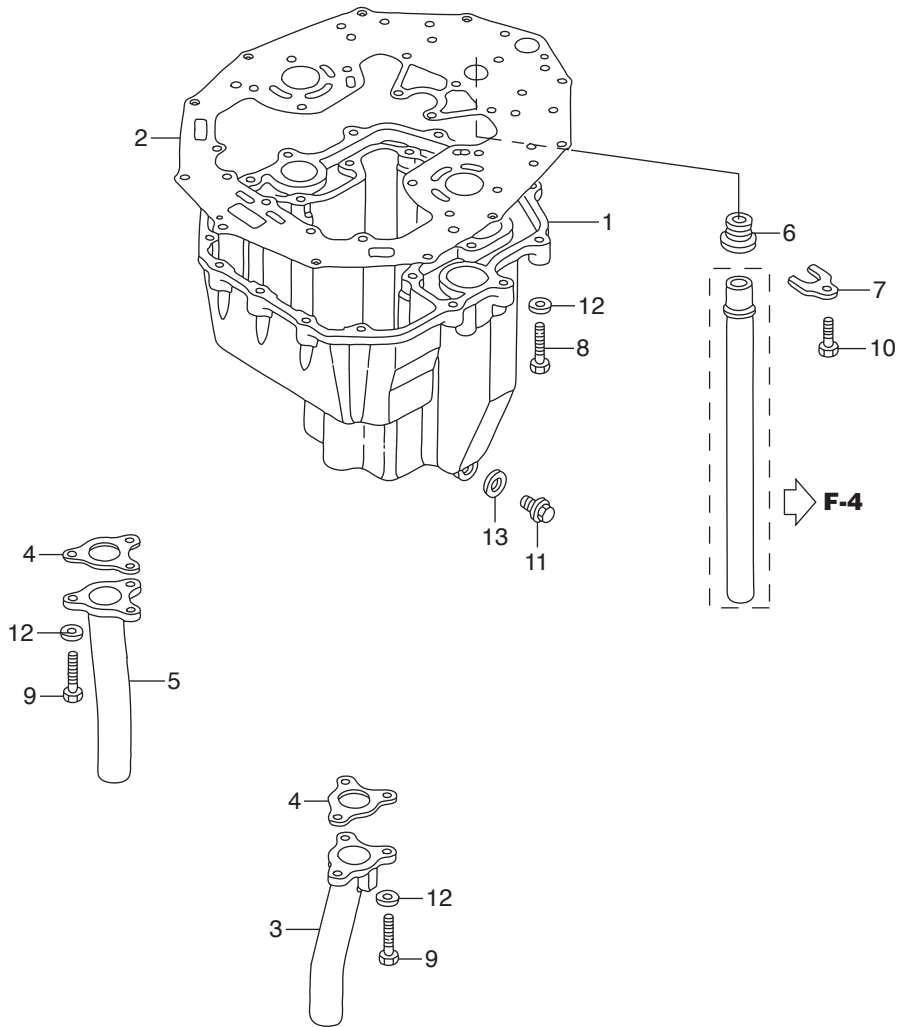
FR. →



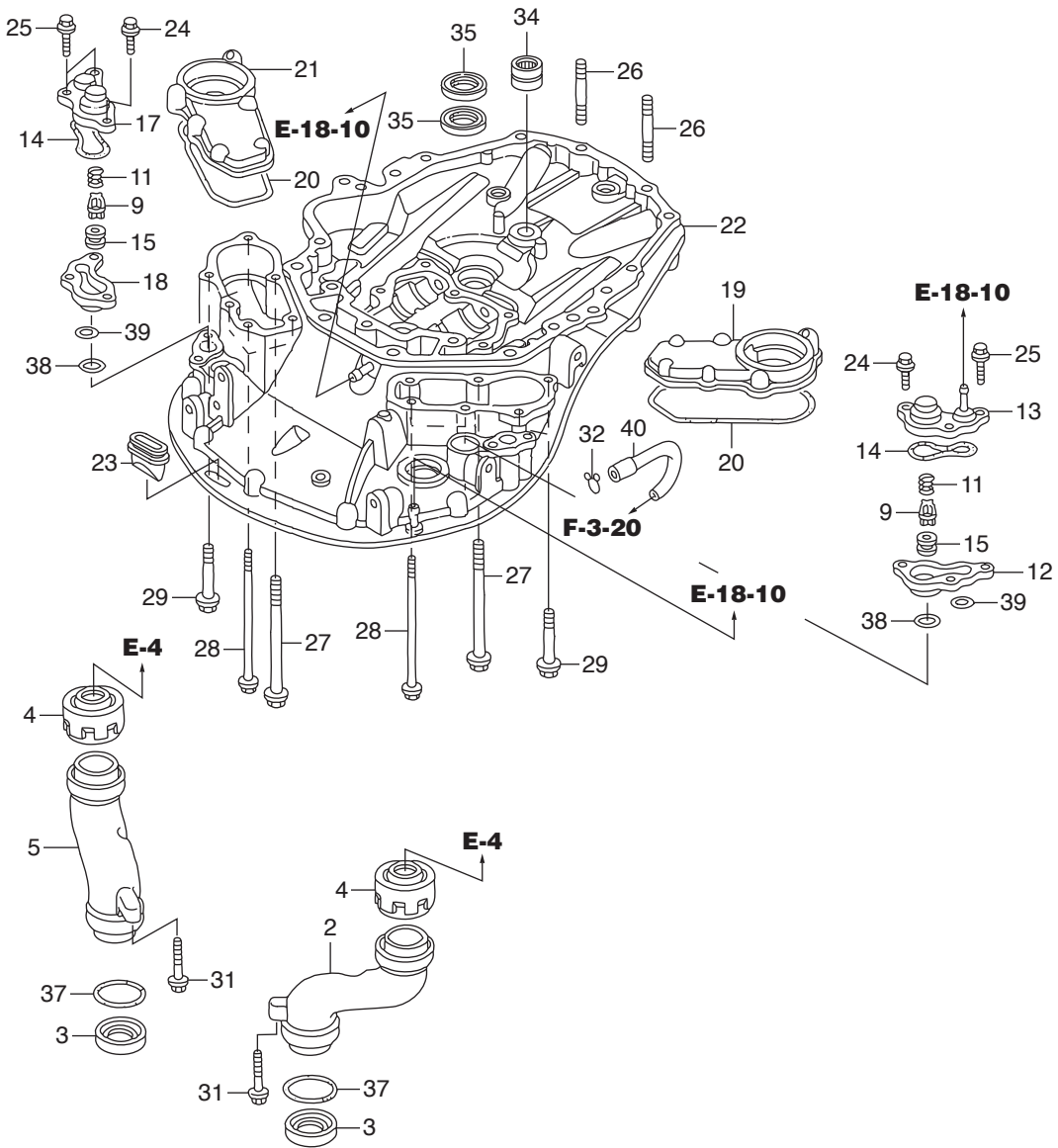
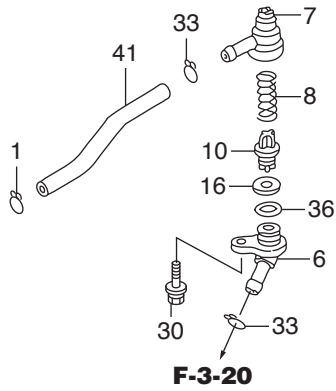
| Ref.No. | Part No. | Description | Q' ty | Remarks | |
|---------|----------|--------------------|--------------------------|---------|-----------------|
| | | | BFT250A | | |
| E-4 | 1 | HZV5-12155-000 | METAL, ANODE | 4 | |
| E-4 | 2 | HZY3-18110-010ZA | MANIFOLD COMP., R. EX. | 1 | *NH8* DARK GRAY |
| E-4 | 3 | HZY3-18115-003 | GASKET, R. EX. MANIFOLD | 1 | |
| E-4 | 4 | HZY3-18120-C01ZA | MANIFOLD COMP., L. EX. | 1 | *NH8* DARK GRAY |
| E-4 | 5 | HZY3-18125-003 | GASKET, L. EX. MANIFOLD | 1 | |
| E-4 | 6 | HZY3-19255-000 | TUBE, R. WATER RETURN | 1 | |
| E-4 | 7 | HZY3-19256-010 | TUBE, WATER RELIEF | 2 | |
| E-4 | 8 | HZY3-19257-000 | TUBE, WATER | 2 | |
| E-4 | 9 | HZY3-19261-000 | TUBE, L. WATER RETURN | 1 | |
| E-4 | 10 | HZX2-19300-003 | THERMOSTAT ASSY. | 2 | |
| E-4 | 11 | HZX2-19303-003 | RUBBER, RING | 2 | |
| E-4 | 12 | HZX2-19313-000ZA | SPACER, THERMOSTAT COVER | 1 | *NH8* DARK GRAY |
| E-4 | 13 | HZX2-19315-000ZA | COVER, THERMOSTAT | 2 | *NH8* DARK GRAY |
| E-4 | 14 | HZY3-35655-C01 | SENSOR, OXYGEN | 1 | |
| E-4 | 15 | HZY3-35673-003 | SENSOR ASSY., WATER | 2 | TEMPERATURE |
| E-4 | 16 | HZW9-90019-000 | BOLT, FLANGE, 6X35 | 1 | |
| E-4 | 17 | HZY3-90027-000 | BOLT, FLANGE, 8X60 | 8 | |
| E-4 | 18 | HZY3-90034-000 | BOLT, FLANGE, 6X60 | 5 | |
| E-4 | 19 | HZW4-90155-000 | BOLT, FLANGE, 8X40 | 8 | |
| E-4 | 20 | HZY3-90601-030 | CLAMP, TUBE(D10.5) | 4 | |
| E-4 | 21 | HZY3-90603-020 | CLAMP, TUBE(D29) | 4 | |
| E-4 | 22 | HZY3-90604-020 | CLAMP, TUBE(D21) | 2 | |
| E-4 | 23 | HZY3-91301-003 | O-RING, 66.4X3.1 | 2 | |
| E-4 | 24 | HPNA-91307-003 | O-RING, 9.5X1.9 | 2 | |
| E-4 | 25 | HSD4-91356-952 | O-RING, 31.5X2.4(ARAI) | 1 | |
| E-4 | 26 | HCO-93500-06018-4J | SCREW, PAN, 6X18 | 4 | |
| | | | | | |
| | | | | | |
| | | | | | |



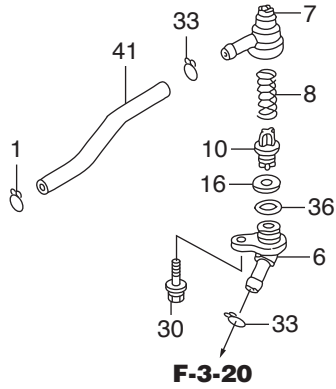
| Ref.No. | Part No. | Description | Q' ty | Remarks | |
|---------|----------|--------------------|------------------------|---------|-----------------|
| | | | BFT250A | | |
| E-5 | 1 | HZY3-15100-000ZA | PUMP ASSY., OIL | 1 | *NH8* DARK GRAY |
| E-5 | 2 | HZY3-15112-013 | PACKING, OIL PUMP BODY | 1 | |
| E-5 | 3 | HZY3-15113-000 | RUBBER, OIL PUMP | 1 | |
| E-5 | 4 | HZY3-15121-000 | COVER, OIL PUMP | 1 | |
| E-5 | 5 | HZY3-15131-405 | ROTOR, OIL PUMP INNER | 1 | |
| E-5 | 6 | HZY3-15132-405 | ROTOR, OIL PUMP OUTER | 1 | |
| E-5 | 7 | HZY3-15220-020 | STRAINER COMP., OIL | 1 | |
| E-5 | 8 | HPE0-15231-000 | VALVE, RELIEF | 1 | |
| E-5 | 9 | HPG6-15232-000 | SPRING, RELIEF VALVE | 1 | |
| E-5 | 10 | HPC6-15233-000 | BOLT, SEALING, 18MM | 1 | |
| E-5 | 11 | HZX2-31110-000ZA | FLYWHEEL COMP. | 1 | *TBLACK* BLACK |
| E-5 | 12 | HZY3-31116-000 | BOSS, FLYWHEEL | 1 | |
| E-5 | 13 | HZX2-90001-000 | BOLT, 12MM | 8 | |
| E-5 | 14 | HZW5-90002-013 | BOLT, SPECIAL, 8MM | 8 | |
| E-5 | 15 | HPW5-90701-000 | DOWEL PIN, 14X15 | 1 | |
| E-5 | 16 | HZW5-91201-003 | OIL SEAL, 46X60X9 | 1 | |
| E-5 | 17 | HP01-91212-003 | OIL SEAL, 31X46X7(NOK) | 1 | |
| E-5 | 18 | HPC6-91324-000 | O-RING, 20.6X2.6 | 1 | |
| E-5 | 19 | HCO-93600-06016-0A | SCREW, FLAT, 6X16 | 8 | |
| E-5 | 20 | HCO-94302-10160 | PIN B, DOWEL, 10X16 | 1 | |
| E-5 | 21 | HCO-95701-06014-09 | BOLT, FLANGE, 6X14 | 2 | |
| E-5 | 22 | HCO-95701-06018-09 | BOLT, FLANGE, 6X18 | 2 | |
| E-5 | 23 | HCO-95701-08030-09 | BOLT, FLANGE, 8X30 | 4 | |
| E-5 | 24 | HCO-96220-50080 | ROLLER, 5X8 | 2 | |
| E-5 | 25 | HZV5-90081-010 | BOLT, SEALING, 22MM | 2 | |
| | | | | | |
| | | | | | |
| | | | | | |
| | | | | | |



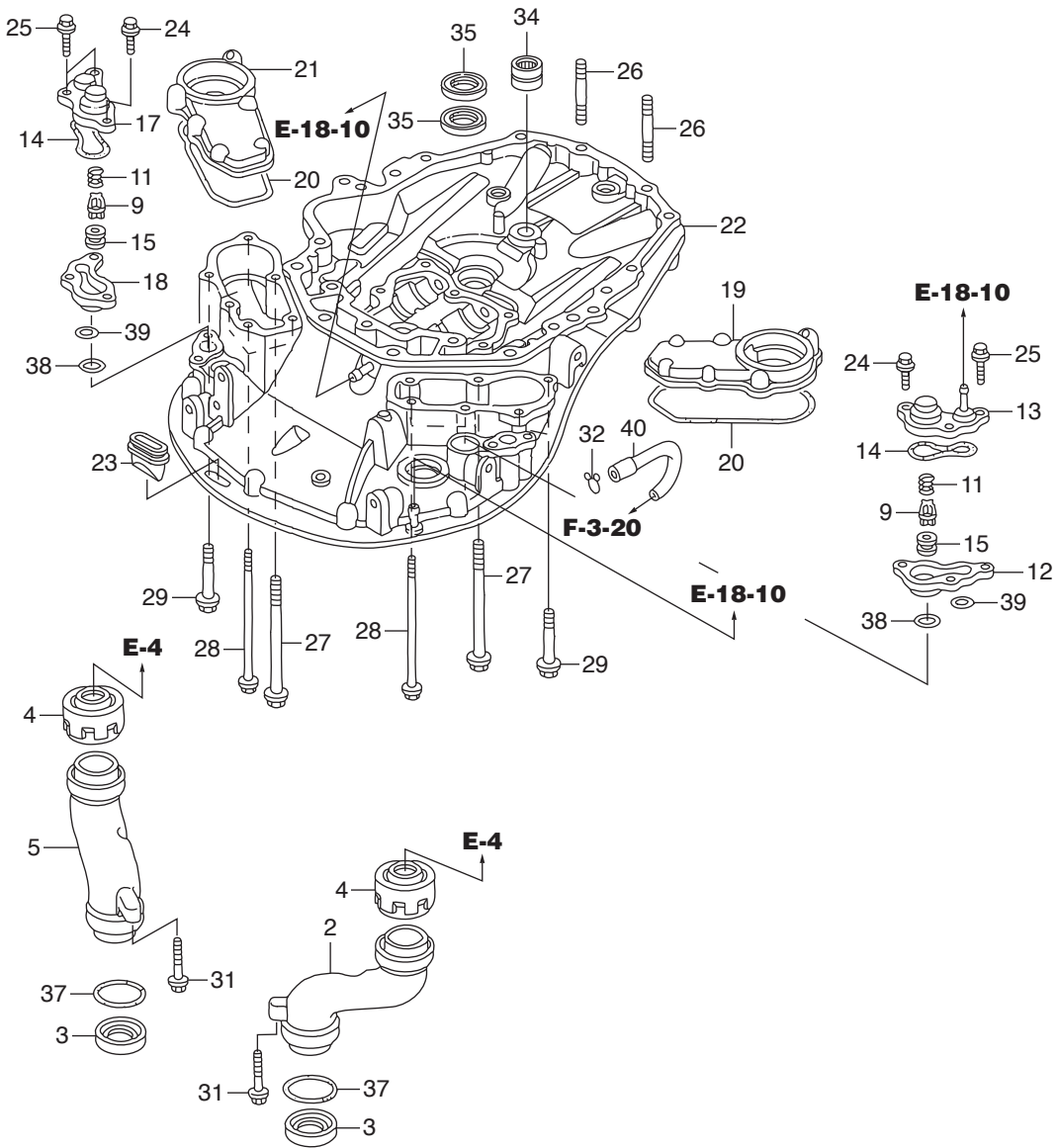
| Ref.No. | Part No. | Description | Q' ty | Remarks | |
|---------|----------|------------------|--------------------------|---------|--------------|
| | | | BFT250A | | |
| E-6 | 1 | HZY3-11311-010ZA | PAN, OIL | 1 | *TGRAY* GRAY |
| E-6 | 2 | HZX2-11381-003 | PACKING, OIL PAN | 1 | |
| E-6 | 3 | HZY3-18330-020 | PIPE COMP., R. EX. | 1 | |
| E-6 | 4 | HZY3-18333-003 | GASKET, EX. PIPE | 2 | |
| E-6 | 5 | HZY3-18340-020 | PIPE COMP., L. EX. | 1 | |
| E-6 | 6 | HZY3-19252-000 | GROMMET, WATER TUBE | 1 | |
| E-6 | 7 | HZY3-19254-000 | PLATE, WATER TUBE | 1 | |
| E-6 | 8 | HZV5-90009-000 | BOLT, HEX., 8X35 | 21 | |
| E-6 | 9 | HZY3-90053-010 | BOLT, HEX., 8X28 | 6 | |
| E-6 | 10 | HZV4-90127-000 | BOLT, HEX., 6X16 | 1 | |
| E-6 | 11 | HZV5-90131-000 | BOLT, DRAIN PLUG | 1 | |
| E-6 | 12 | HZW1-90401-000 | WASHER, PLAIN, 8MM | 27 | |
| E-6 | 13 | HZE2-90601-000 | WASHER, DRAIN PLUG, 12MM | 1 | |
| | | | | | |
| | | | | | |
| | | | | | |
| | | | | | |
| | | | | | |
| | | | | | |
| | | | | | |
| | | | | | |
| | | | | | |
| | | | | | |
| | | | | | |
| | | | | | |
| | | | | | |
| | | | | | |
| | | | | | |
| | | | | | |

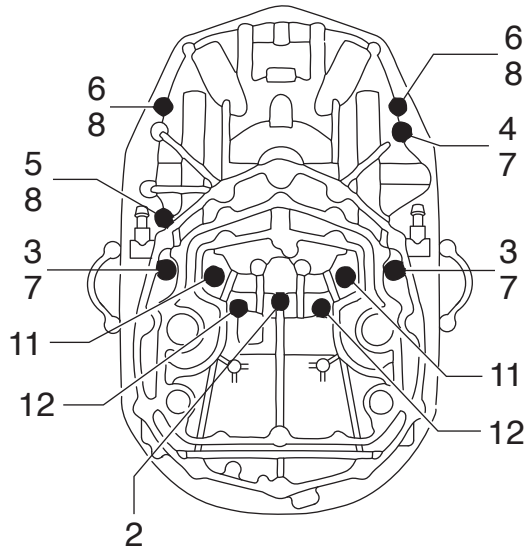
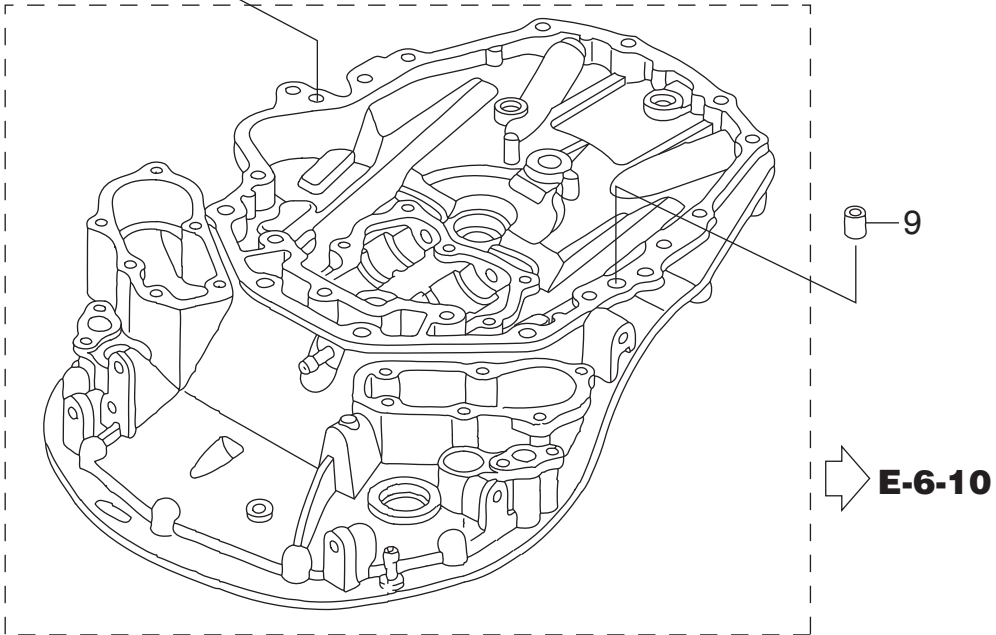
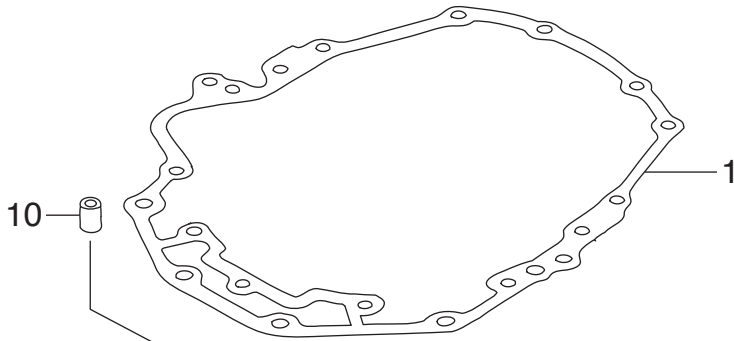


| Ref.No. | Part No. | Description | Q' ty | Remarks | |
|---------|----------|------------------|-----------------------------|---------|-----------------|
| | | | BFT250A | | |
| E-6-10 | 1 | HGHB-16163-610 | CLIP, TUBE | 1 | |
| E-6-10 | 2 | HZY3-18141-A00ZA | GUIDE, R. EX. | 1 | *TGRAY* GRAY |
| E-6-10 | 3 | HZY3-18148-003 | SEAL, EXHAUST GUIDE | 2 | |
| E-6-10 | 4 | HZY3-18149-A01 | SEAL B, EX. GUIDE | 2 | |
| E-6-10 | 5 | HZY3-18151-A00ZA | GUIDE, L. EX. | 1 | *TGRAY* GRAY |
| E-6-10 | 6 | HZY3-19277-000ZA | COVER, FLUSH VALVE | 1 | *NH8* DARK GRAY |
| E-6-10 | 7 | HZY3-19278-000 | CASE, FLUSH VALVE | 1 | |
| E-6-10 | 8 | HZW9-19279-000 | SPRING, FLUSH VALVE | 1 | |
| E-6-10 | 9 | HZW5-19291-000 | VALVE, RELIEF | 2 | |
| E-6-10 | 10 | HZW9-19291-000 | VALVE, FLASH | 1 | |
| E-6-10 | 11 | HZW5-19292-000 | SPRING, RELIEF VALVE | 2 | |
| E-6-10 | 12 | HZY3-19294-000ZB | SPACER, R. RELIEF VALVE | 1 | *TGRAY* GRAY |
| E-6-10 | 13 | HZY3-19295-000 | COVER, R. RELIEF VALVE | 1 | |
| E-6-10 | 14 | HZY3-19296-000 | PACKING, RELIEF VALVE COVER | 2 | |
| E-6-10 | 15 | HZW5-19297-000 | PACKING, RELIEF VALVE | 2 | |
| E-6-10 | 16 | HZW9-19297-000 | PACKING, FLASH VALVE | 1 | |
| E-6-10 | 17 | HZY3-19297-000 | COVER, L. RELIEF VALVE | 1 | |
| E-6-10 | 18 | HZY3-19298-000ZB | SPACER, L. RELIEF VALVE | 1 | *TGRAY* GRAY |
| E-6-10 | 19 | HZY3-19361-000 | COVER, R. WATER JACKET | 1 | |
| E-6-10 | 20 | HZY3-19362-000 | PACKING, WATER JACKET COVER | 2 | |
| E-6-10 | 21 | HZY3-19366-000 | COVER, L. WATER JACKET | 1 | |
| E-6-10 | 22 | HZY3-23170-030ZA | CASE COMP., MOUNT | 1 | *NH8* DARK GRAY |
| E-6-10 | 23 | HZY3-23173-010 | RUBBER, MOUNT CASE SEAL | 1 | |
| E-6-10 | 24 | HZY3-90030-000 | BOLT, FLANGE, 6X22 | 2 | |
| E-6-10 | 25 | HZY3-90031-000 | BOLT, FLANGE, 6X32 | 4 | |
| E-6-10 | 26 | HZY3-90045-000 | BOLT, STUD, 10X45 | 2 | |
| E-6-10 | 27 | HZY3-90046-000 | BOLT, FLANGE, 8X100 | 2 | |
| E-6-10 | 28 | HZY3-90047-000 | BOLT, WASHER, 6X121 | 6 | |
| E-6-10 | 29 | HZY3-90049-000 | BOLT, FLANGE, 8X30 | 4 | |

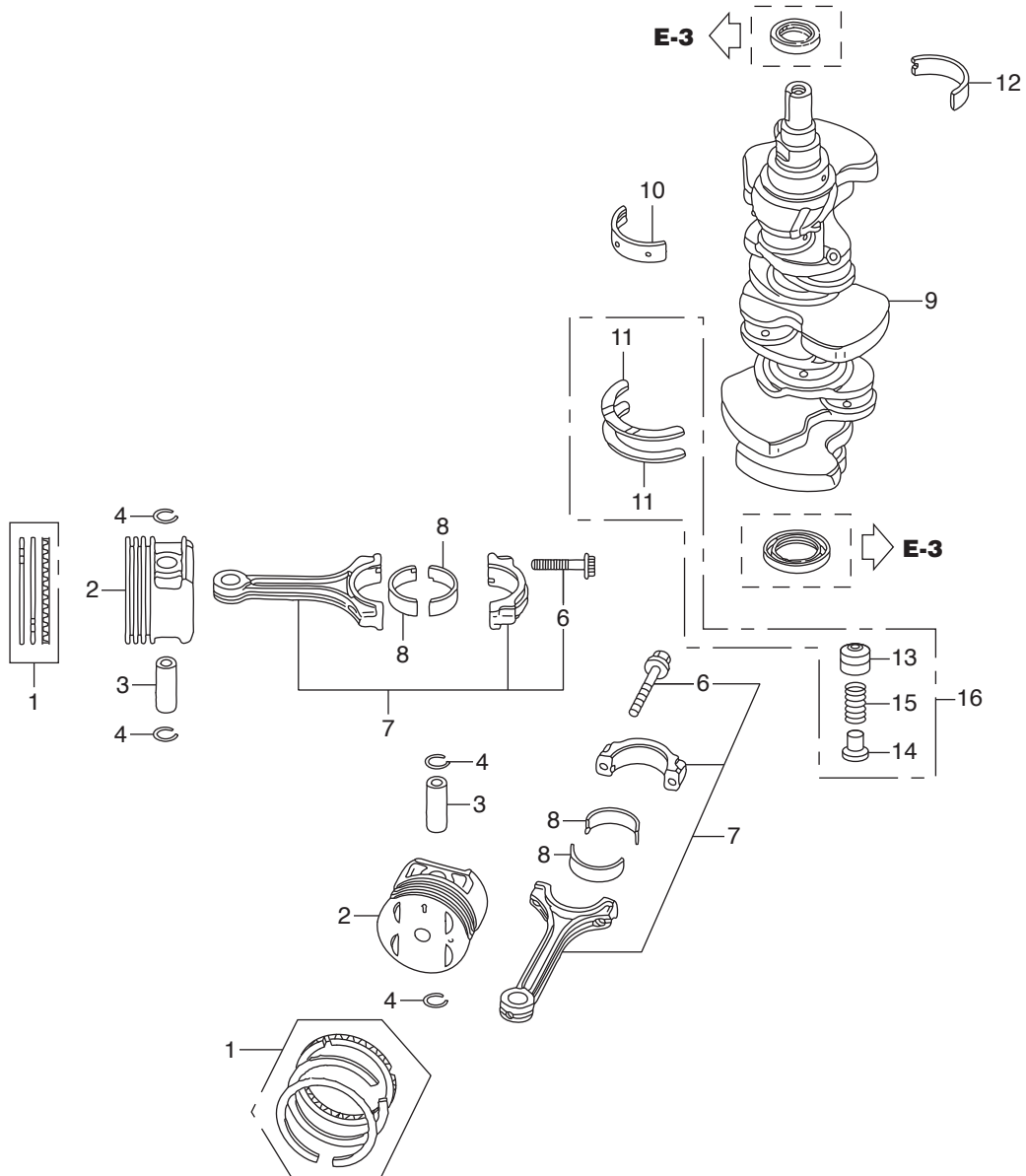


F-3-20



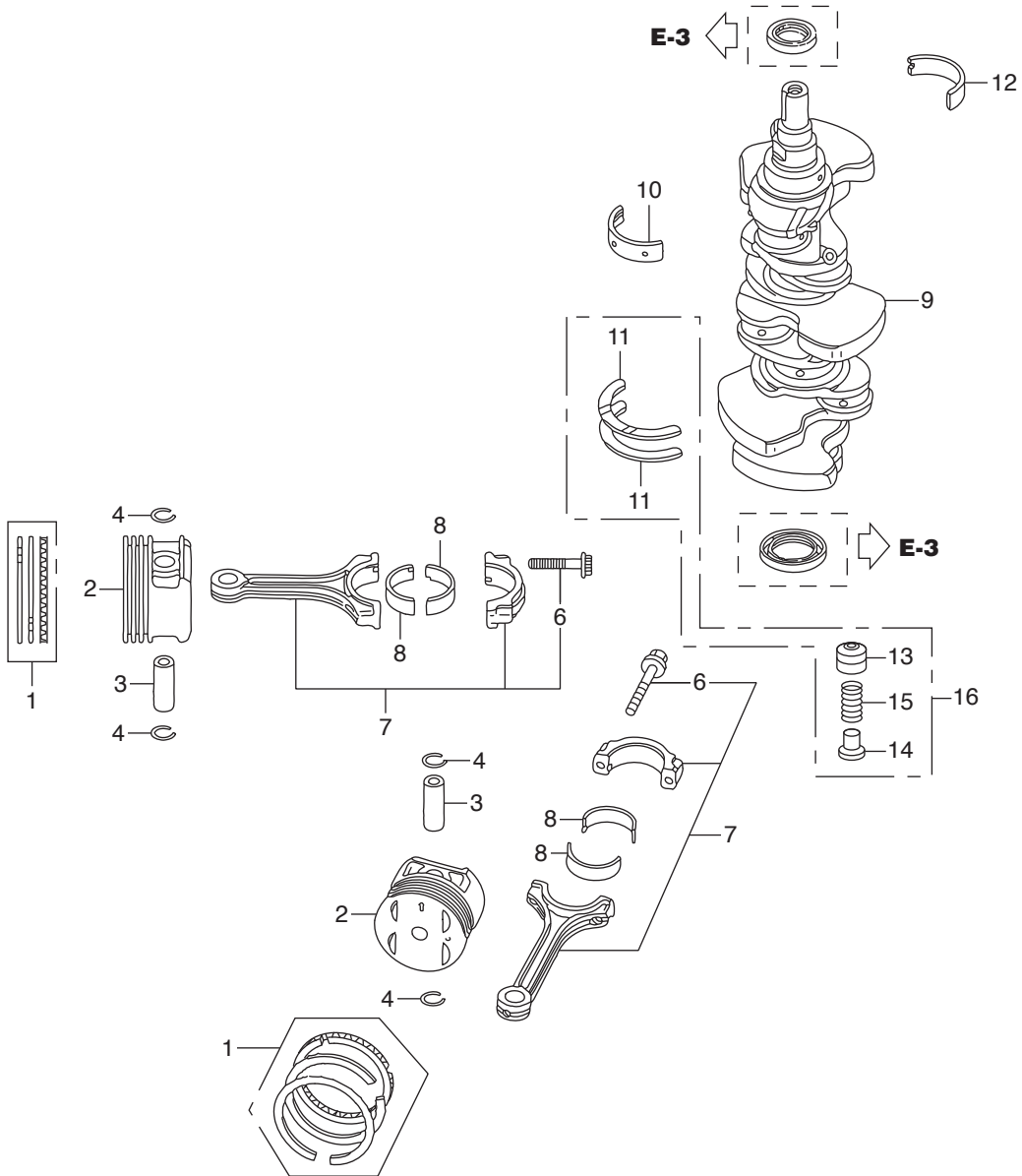


| Ref.No. | Part No. | Description | Q'ty | Remarks | |
|---------|----------|--------------------|----------------------------|---------|--|
| | | | BFT250A | | |
| E-6-20 | 1 | HZY3-23172-003 | GASKET, MOUNT CASE | 1 | |
| E-6-20 | 2 | H371-90009-015 | BOLT, FLANGE, 10X120(SATO) | 1 | |
| E-6-20 | 3 | HZY3-90010-000 | BOLT, HEX., 12X120 | 2 | |
| E-6-20 | 4 | HZY3-90011-000 | BOLT, HEX., 12X65 | 1 | |
| E-6-20 | 5 | HZY3-90013-000 | BOLT, HEX., 10X85 | 1 | |
| E-6-20 | 6 | HZY3-90015-000 | BOLT, HEX., 10X60 | 2 | |
| E-6-20 | 7 | HZV5-90559-000 | WASHER, PLAIN, 12MM | 3 | |
| E-6-20 | 8 | HZV5-90563-000 | WASHER, PLAIN, 10MM | 3 | |
| E-6-20 | 9 | HPW5-90701-000 | DOWEL PIN, 14X15 | 1 | |
| E-6-20 | 10 | HCO-94302-10160 | PIN B, DOWEL, 10X16 | 1 | |
| E-6-20 | 11 | HCO-95701-10070-09 | BOLT, FLANGE, 10X70 | 2 | |
| E-6-20 | 12 | HCO-95701-12120-09 | BOLT, FLANGE, 12X120 | 2 | |
| | | | | | |
| | | | | | |
| | | | | | |
| | | | | | |
| | | | | | |
| | | | | | |
| | | | | | |
| | | | | | |
| | | | | | |
| | | | | | |
| | | | | | |
| | | | | | |
| | | | | | |
| | | | | | |
| | | | | | |
| | | | | | |
| | | | | | |
| | | | | | |
| | | | | | |
| | | | | | |
| | | | | | |
| | | | | | |
| | | | | | |
| | | | | | |
| | | | | | |
| | | | | | |
| | | | | | |
| | | | | | |
| | | | | | |
| | | | | | |
| | | | | | |
| | | | | | |
| | | | | | |
| | | | | | |
| | | | | | |
| | | | | | |
| | | | | | |
| | | | | | |
| | | | | | |
| | | | | | |

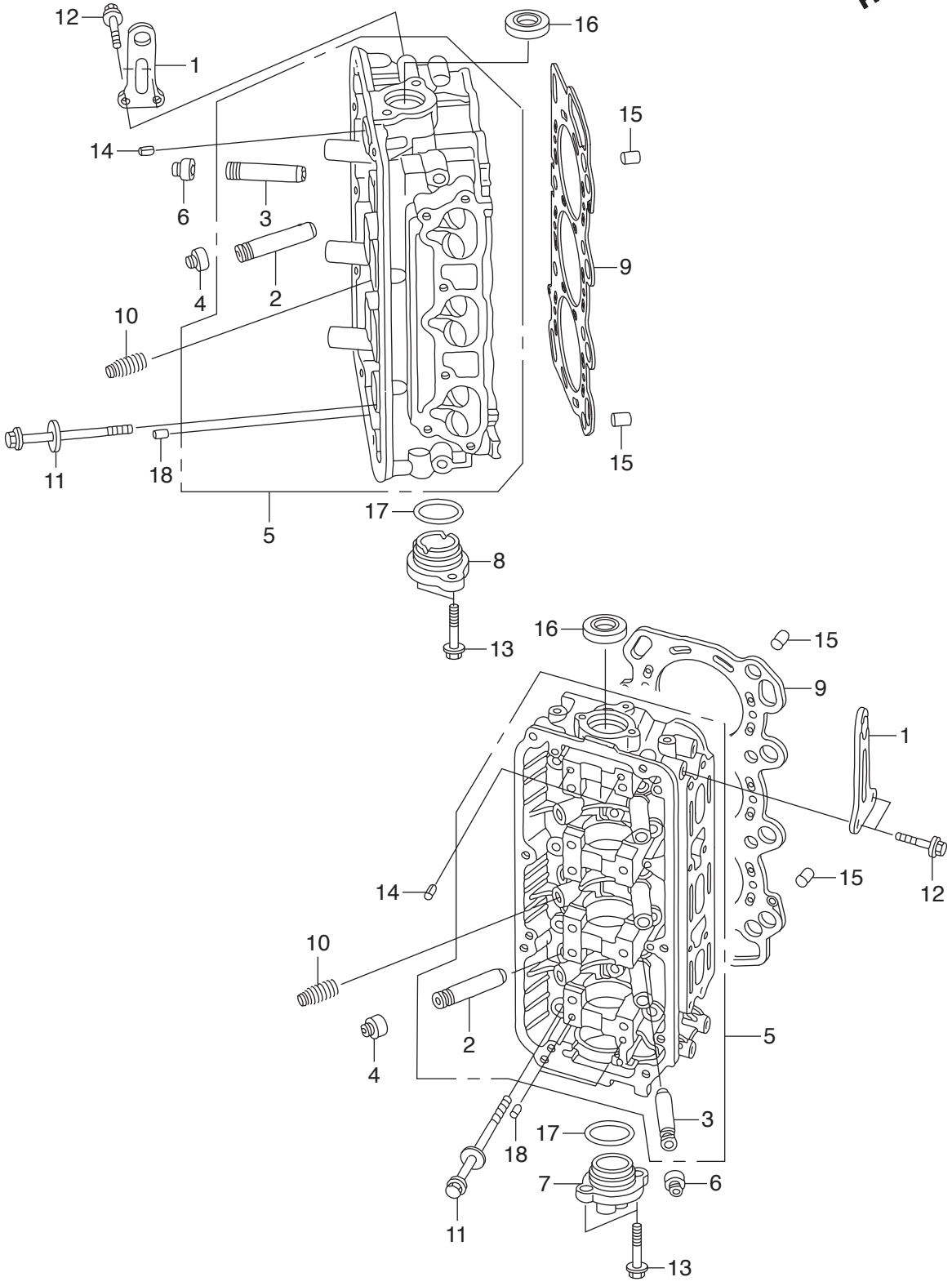


| Ref.No. | Part No. | Description | Q' ty | Remarks | |
|---------|----------|----------------|-------------------------------|---------|------------------------|
| | | | BFT250A | | |
| E-7 | 1 | HZX2-13010-000 | RING SET, PISTON(STD.)(RIKEN) | 6 | |
| E-7 | 2 | HZX2-13101-000 | PISTON | 6 | |
| E-7 | 3 | HPEA-13111-000 | PIN, PISTON | 6 | |
| E-7 | 4 | HP5A-13115-000 | CLIP, PISTON PIN | 12 | |
| E-7 | 6 | HP8A-13204-A01 | BOLT, CONNECTING ROD | 12 | |
| E-7 | 7 | HRKG-13210-000 | ROD COMP., CONNECTING | 6 | |
| E-7 | 8 | HRYE-13211-A01 | BEARING A, CONNECTING ROD | 12 | (BLACK)(TAIHO) |
| E-7 | | HRYE-13212-A01 | BEARING B, CONNECTING ROD | 12 | (BROWN)(TAIHO) |
| E-7 | | HRYE-13213-A01 | BEARING C, CONNECTING ROD | 12 | (GREEN)(TAIHO) |
| E-7 | | HRYE-13214-A01 | BEARING D, CONNECTING ROD | 12 | (YELLOW)(TAIHO) |
| E-7 | | HRYE-13215-A01 | BEARING E, CONNECTING ROD | 12 | (PINK)(TAIHO) |
| E-7 | 9 | HRKG-13310-000 | CRANKSHAFT COMP. | 1 | |
| E-7 | 10 | HZX2-13321-003 | BEARING A, MAIN UPPER(BLACK) | 4 | (TAIHO) |
| E-7 | | HZX2-13322-003 | BEARING B, MAIN UPPER(BROWN) | 4 | (TAIHO) |
| E-7 | | HZX2-13323-003 | BEARING C, MAIN UPPER(GREEN) | 4 | (TAIHO) |
| E-7 | | HZX2-13324-003 | BEARING D, MAIN UPPER(YELLOW) | 4 | (TAIHO) |
| E-7 | | HZX2-13325-003 | BEARING E, MAIN UPPER(PINK) | 4 | (TAIHO) |
| E-7 | | HZX2-13326-003 | BEARING F, MAIN UPPER(RED) | 4 | (TAIHO) |
| E-7 | 11 | HZY3-13331-A03 | WASHER, THRUST | 2 | |
| E-7 | | HZY3-13331-A04 | WASHER, THRUST | 2 | #1003867~ #6000081~ |
| E-7 | 12 | HZX2-13341-003 | BEARING A, MAIN LOWER(BLACK) | 4 | (TAIHO) |
| E-7 | | HZX2-13342-003 | BEARING B, MAIN LOWER(BROWN) | 4 | (TAIHO) |
| E-7 | | HZX2-13343-003 | BEARING C, MAIN LOWER(GREEN) | 4 | (TAIHO) |
| E-7 | | HZX2-13344-003 | BEARING D, MAIN LOWER(YELLOW) | 4 | (TAIHO) |
| E-7 | | HZX2-13345-003 | BEARING E, MAIN LOWER(PINK) | 4 | (TAIHO) |
| E-7 | | HZX2-13346-003 | BEARING F, MAIN LOWER(RED) | 4 | (TAIHO) |
| E-7 | 13 | HZY3-13391-000 | RETAINER SPRING | 1 | #1003867~ #6000081~ |
| E-7 | 14 | HZX2-13392-000 | SEAT.SPRING(250) | 1 | #1003867~ #6000081~ |
| E-7 | 15 | HZY3-13398-003 | SPRING.SUPPORT | 1 | #1003867~ #6000081~ |

FR. 

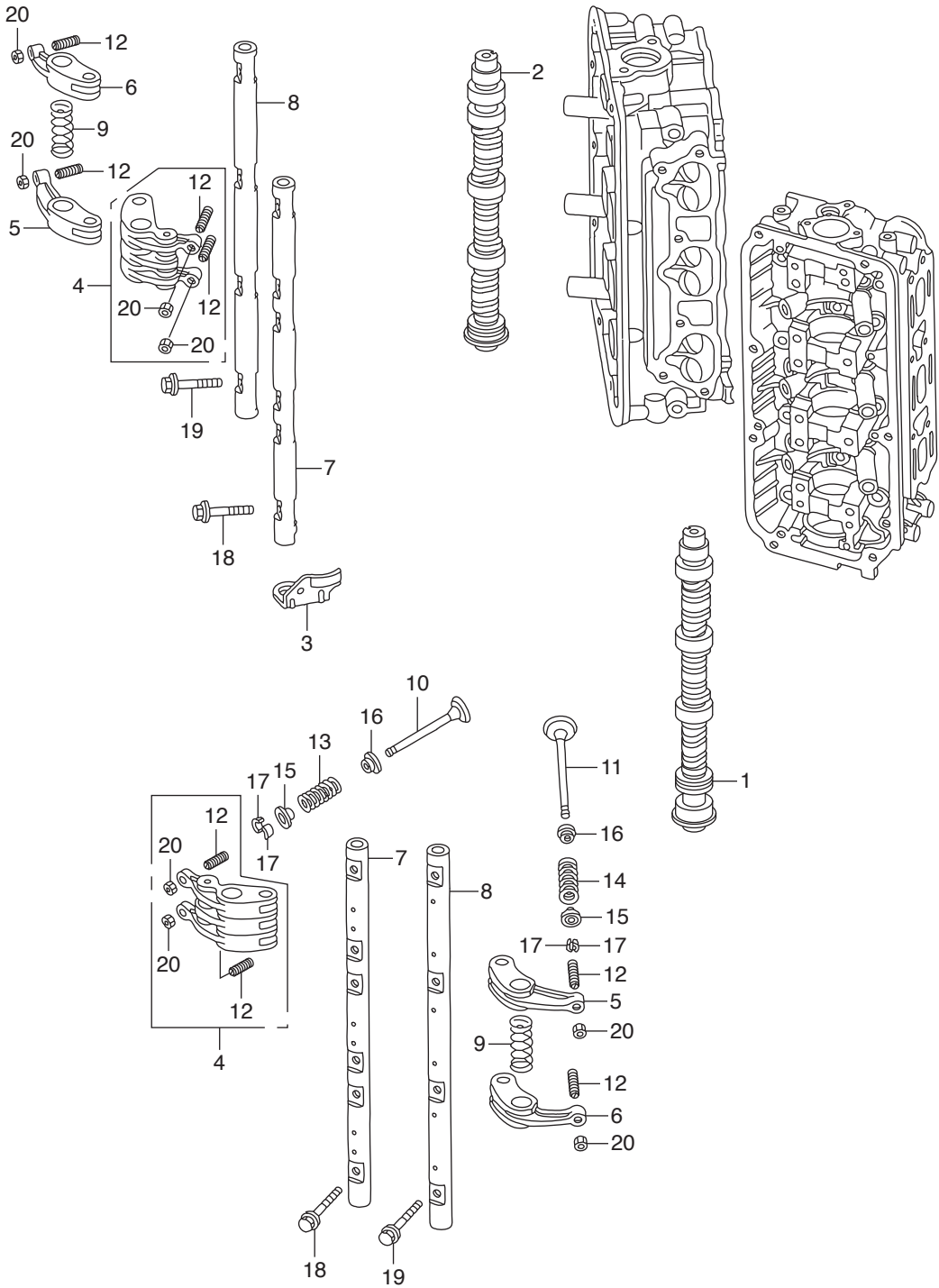


FR. 



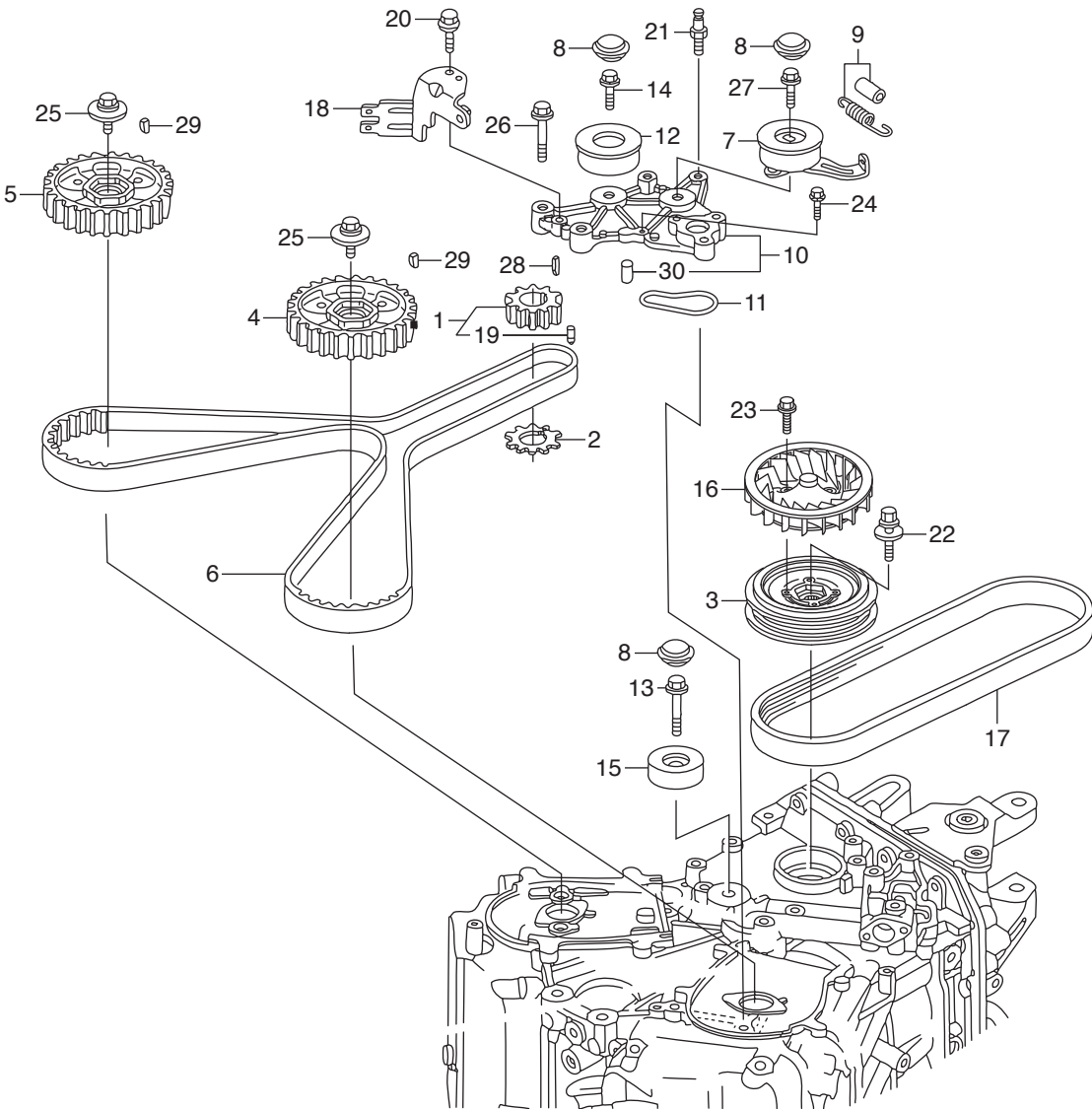
| Ref.No. | Part No. | Description | Q' ty | Remarks | |
|---------|----------|------------------|-----------------------------|---------|-------------------|
| | | | BFT250A | | |
| E-9 | 1 | HZY3-11911-010 | HANGER, ENGINE | 2 | |
| E-9 | 2 | HPJ7-12204-305 | GUIDE, IN. VALVE(OS) | 12 | |
| E-9 | 3 | HPJ7-12205-305 | GUIDE, EX. VALVE(OS) | 12 | |
| E-9 | 4 | HPZ1-12210-004 | SEAL A, VALVE STEM(NOK) | 12 | |
| E-9 | 5 | HZY3-12210-010ZA | HEAD COMP., CYLINDER | 2 | *NH8* DARK GRAY |
| E-9 | 6 | HPZ1-12211-004 | SEAL B, VALVE STEM(NOK) | 12 | |
| E-9 | 7 | HZY3-12231-000 | COVER, R. CAMSHAFT THRUST | 1 | |
| E-9 | 8 | HZY3-12241-000 | COVER, L. CAMSHAFT THRUST | 1 | |
| E-9 | 9 | HZY3-12251-A01 | GASKET COMP., CYLINDER HEAD | 2 | (NIPPON LEAKLESS) |
| E-9 | 10 | HP8F-14820-A01 | MOTION COMP., LOST | 6 | |
| E-9 | 11 | HPT0-90005-003 | BOLT-WASHER, 12X163 | 16 | |
| E-9 | 12 | HZY3-90026-000 | BOLT, FLANGE, 8X20 | 4 | |
| E-9 | 13 | HZY3-90035-000 | BOLT, FLANGE, 8X28 | 4 | |
| E-9 | 14 | HP8A-90701-A00 | DOWEL PIN, 6X10 | 4 | |
| E-9 | 15 | HPT0-90705-000 | DOWEL PIN, 16X22 | 4 | |
| E-9 | 16 | HRKG-91213-003 | OIL SEAL, 39X53X8(NOK) | 2 | |
| E-9 | 17 | HP8A-91301-A00 | O-RING, 48.5X2.4 | 2 | |
| E-9 | 18 | HCO-94302-06100 | DOWEL PIN, 6X10 | 4 | |
| | | | | | |
| | | | | | |
| | | | | | |
| | | | | | |
| | | | | | |
| | | | | | |
| | | | | | |
| | | | | | |
| | | | | | |
| | | | | | |
| | | | | | |
| | | | | | |
| | | | | | |

FR. 



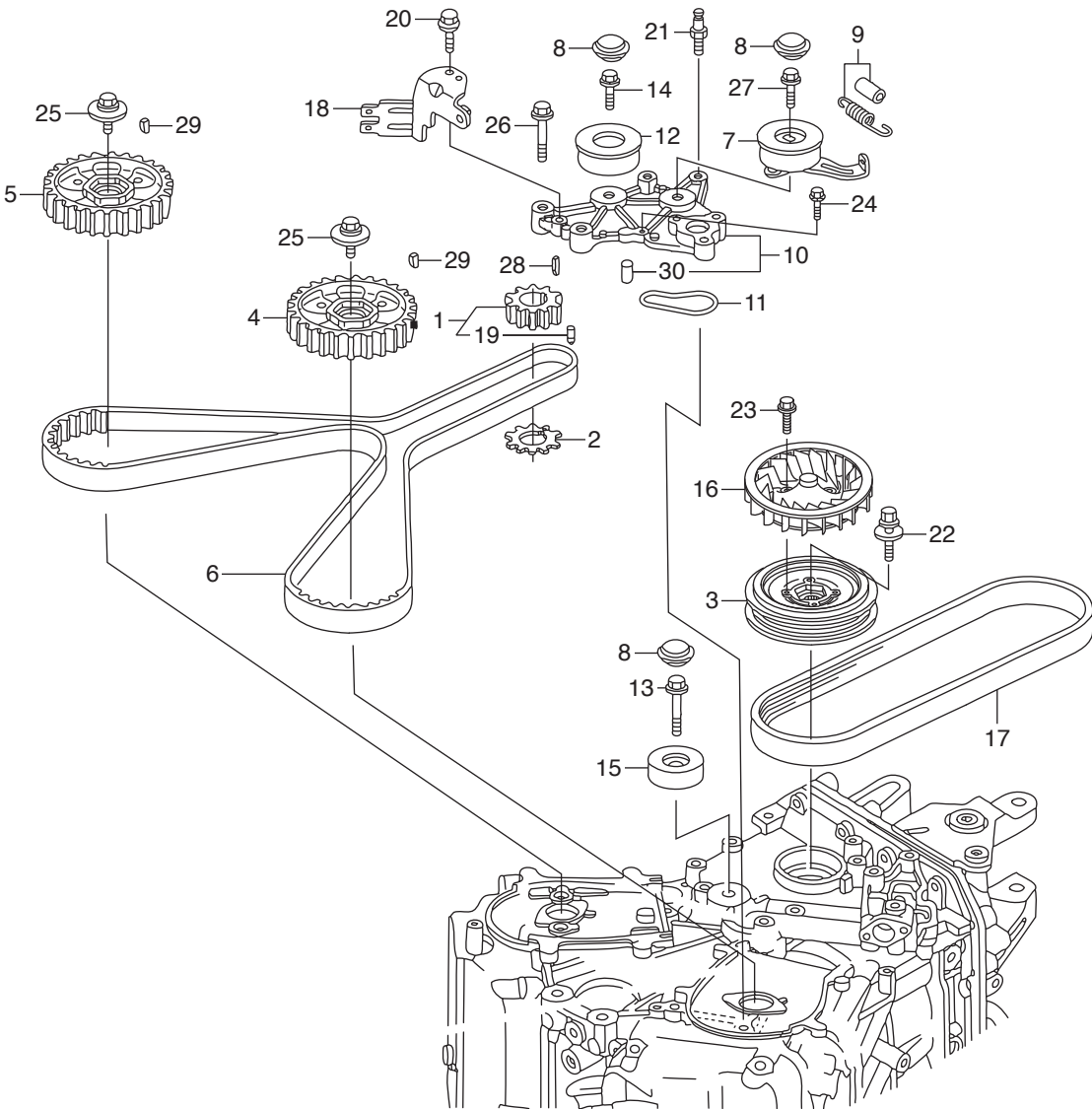
| Ref.No. | Part No. | Description | Q' ty | Remarks | |
|---------|----------|----------------|--------------------------------|---------|------------------|
| | | | BFT250A | | |
| E-9-10 | 1 | HZX2-14111-000 | CAMSHAFT, R. | 1 | |
| E-9-10 | 2 | HZX2-14211-000 | CAMSHAFT, L. | 1 | |
| E-9-10 | 3 | HZY3-14436-000 | ARM, FUEL PUMP ROCKER | 1 | |
| E-9-10 | 4 | HP8A-14620-A01 | ARM ASSY., INTAKE ROCKER | 6 | |
| E-9-10 | 5 | HP8A-14626-A00 | ARM COMP. A, EX. ROCKER | 6 | |
| E-9-10 | 6 | HP8A-14627-A00 | ARM COMP. B, EX. ROCKER | 6 | |
| E-9-10 | 7 | HP8A-14631-A00 | SHAFT COMP., INTAKE ROCKER ARM | 2 | |
| E-9-10 | 8 | HRCA-14632-A00 | SHAFT COMP., EX. ROCKER ARM | 2 | |
| E-9-10 | 9 | HP8A-14645-A01 | SPRING, ROCKER ARM | 6 | |
| E-9-10 | 10 | HRJA-14711-000 | VALVE, IN. | 12 | |
| E-9-10 | 11 | HRJA-14721-E00 | VALVE, EX. | 12 | |
| E-9-10 | 12 | HPT0-14744-004 | SCREW, TAPPET ADJUSTING | 24 | |
| E-9-10 | 13 | HRKG-14761-003 | SPRING, VALVE(PINK) | 12 | (NIPPON HATSUJO) |
| E-9-10 | 14 | HP8E-14762-A01 | SPRING, EX. VALVE | 12 | (YELLOW GREEN) |
| E-9-10 | 15 | HRDV-14765-J00 | RETAINER, VALVE SPRING | 24 | |
| E-9-10 | 16 | HPM3-14775-000 | SEAT, VALVE SPRING | 24 | |
| E-9-10 | 17 | HRGM-14781-A01 | COTTER, VALVE(FUJI VALVE) | 48 | |
| E-9-10 | 18 | HP8A-90003-A00 | BOLT, FLANGE, 8X30 | 12 | |
| E-9-10 | 19 | HP8A-90004-A00 | BOLT, FLANGE, 8X40 | 8 | |
| E-9-10 | 20 | HPT0-90206-004 | NUT, TAPPET ADJUSTING | 24 | |
| | | | | | |
| | | | | | |
| | | | | | |
| | | | | | |
| | | | | | |
| | | | | | |
| | | | | | |
| | | | | | |
| | | | | | |
| | | | | | |
| | | | | | |

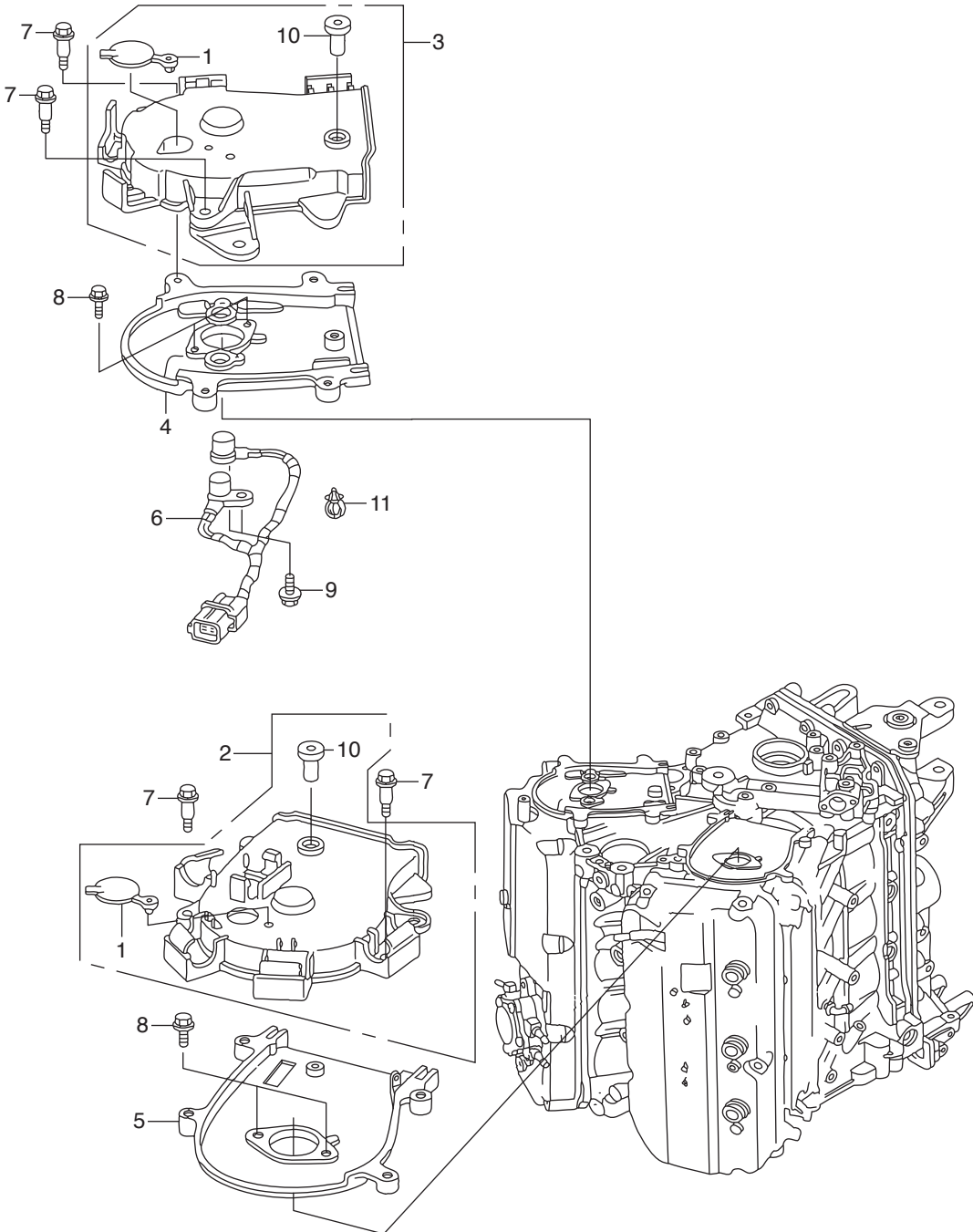
FR. →



| Ref.No. | Part No. | Description | Q' ty | Remarks | |
|---------|----------|------------------|--------------------------------|---------|------------------------------|
| | | | BFT250A | | |
| E-13 | 1 | HZY3-13621-C01 | PULLEY, TIMING BELT DRIVE | 1 | |
| E-13 | 2 | HZY3-13622-C00 | PLATE, TIMING BELT GUIDE | 1 | |
| E-13 | 3 | HZX2-13811-000 | PULLEY, CRANKSHAFT | 1 | |
| E-13 | 4 | HZY3-14261-C00 | PULLEY COMP., R. TIMING BELT | 1 | DRIVEN |
| E-13 | 5 | HZY3-14270-C00 | PULLEY COMP., L. TIMING BELT | 1 | DRIVEN |
| E-13 | 6 | HP8A-14400-A01 | BELT, TIMING(197YU26 B-333) | 1 | |
| E-13 | 7 | HZY3-14510-003 | TENSIONER COMP., TIMING BELT | 1 | |
| E-13 | 8 | HZY3-14515-000 | CAP, TIMING BELT TENSIONER | 3 | |
| E-13 | 9 | HZY3-14520-000 | SPRING COMP., TIMING BELT | 1 | ADJUSTING |
| E-13 | 10 | HZX2-14526-405ZA | BASE COMP., TIMING BELT | 1 | TENSIONER *NH8* DARK GRAY |
| E-13 | 11 | HZY3-14529-000 | O-RING, TIMING BELT TENSIONER | 1 | BASE |
| E-13 | 12 | HZY3-14550-003 | IDLER, TIMING BELT(KOYO SEIKO) | 1 | |
| E-13 | 13 | HP8A-14551-A01 | BOLT, IDLER | 1 | |
| E-13 | 14 | HZY3-14553-003 | BOLT, TIMING BELT IDLER A | 1 | |
| E-13 | 15 | HZY3-14555-003 | IDLER B, TIMING BELT | 1 | |
| E-13 | 16 | HZX2-19511-000 | FAN, COOLING | 1 | |
| E-13 | 17 | HZY3-31638-003 | BELT, A.C. GENERATOR | 1 | (6PK745 M-180) |
| E-13 | 18 | HZY3-32111-010 | BRACKET, COUPLER D | 1 | |
| E-13 | 19 | HZV0-41122-000 | PIN, VERTICAL SHAFT | 1 | |
| E-13 | 20 | HZW9-90011-000 | BOLT, FLANGE, 6X14(CT200) | 1 | |
| E-13 | 21 | HZV5-90012-013 | BOLT, TIMING BELT ADJUSTING | 1 | SPRING |
| E-13 | 22 | HRJA-90017-003 | BOLT-WASHER, 16X49 | 1 | |
| E-13 | 23 | HZY3-90017-000 | BOLT, FLANGE, 6X16 | 4 | |
| E-13 | 24 | HZY3-90030-000 | BOLT, FLANGE, 6X22 | 1 | |
| E-13 | 25 | HP8A-90031-A01 | BOLT-WASHER, 12X35 | 2 | |
| E-13 | 26 | HZY3-90039-000 | BOLT, FLANGE, 10X40 | 3 | |
| E-13 | 27 | HZY3-90040-000 | BOLT, FLANGE, 10X43 | 1 | |
| E-13 | 28 | HRCA-90704-A00 | KEY, 4.5X24 | 1 | |
| E-13 | 29 | HZY3-90741-000 | KEY, SPECIAL | 2 | |

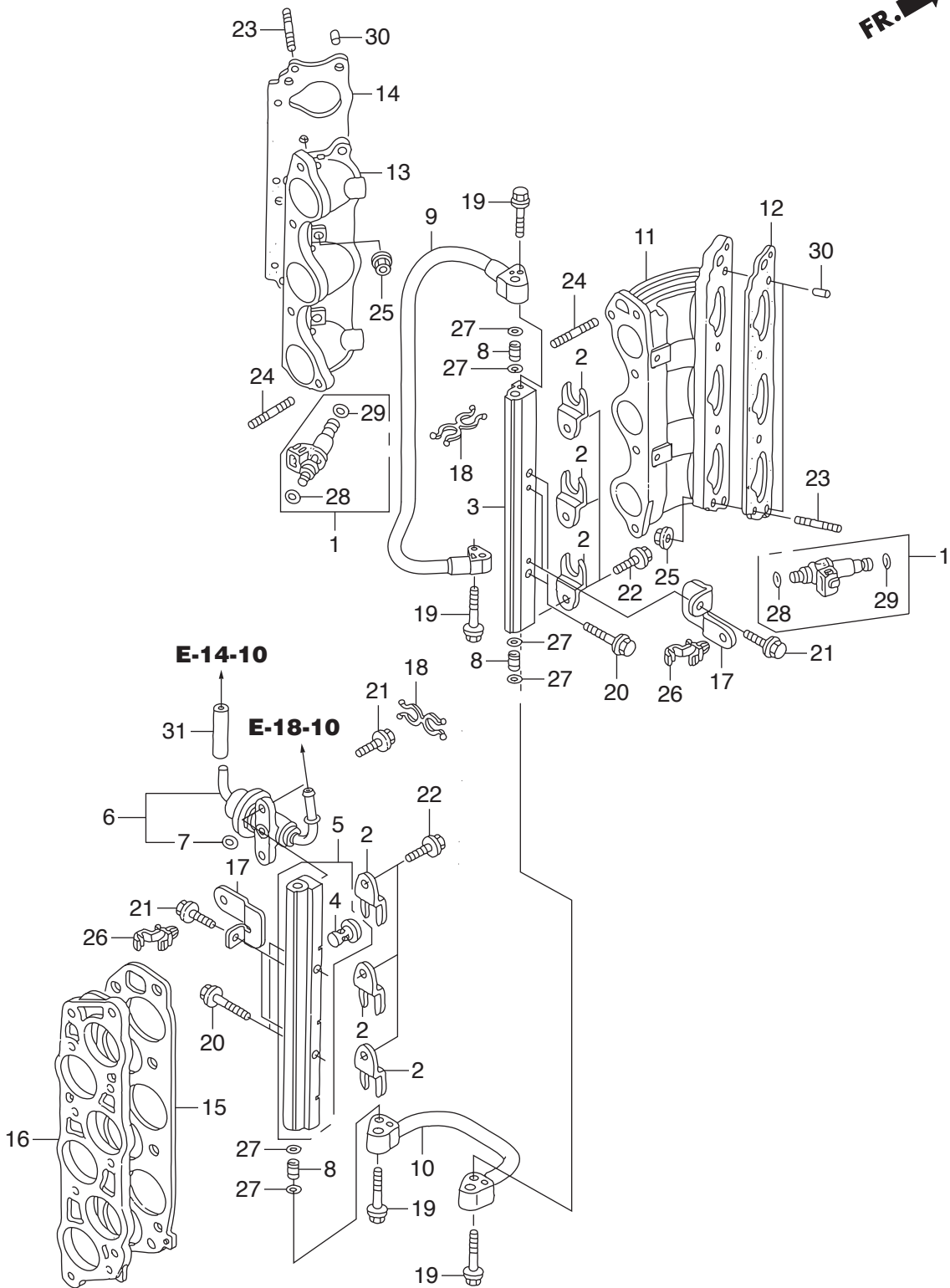
FR. 





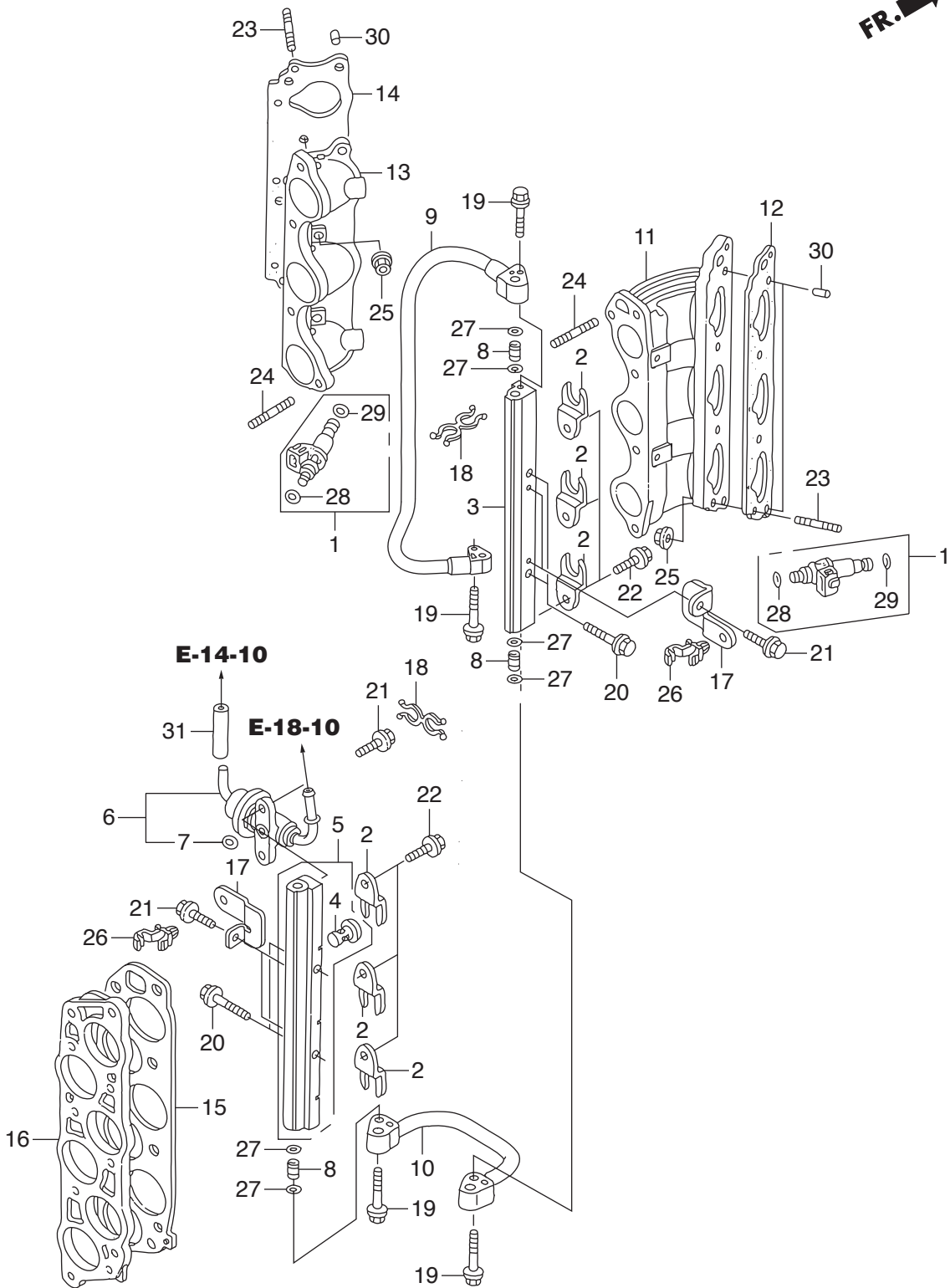
| Ref.No. | Part No. | Description | Q' ty | Remarks | |
|---------|----------|----------------|-----------------------------|---------|---------|
| | | | BFT250A | | |
| E-13-10 | 1 | HP8A-11812-A00 | GROMMET, TIMING BELT COVER | 2 | |
| E-13-10 | 2 | HZY3-11820-000 | COVER ASSY., R. TIMING BELT | 1 | |
| E-13-10 | 3 | HZY3-11840-010 | COVER ASSY., L. TIMING BELT | 1 | |
| E-13-10 | 4 | HZY3-11861-000 | PLATE, L. TIMING BELT COVER | 1 | |
| E-13-10 | 5 | HZY3-11871-000 | PLATE, R. TIMING BELT COVER | 1 | |
| E-13-10 | 6 | HZY3-35695-003 | SENSOR COMP., TDC1-TDC2 | 1 | |
| E-13-10 | 7 | HZY3-90007-000 | BOLT, TIMING BELT COVER | 4 | |
| E-13-10 | 8 | HP8A-90017-A01 | BOLT, SPECIAL, 8X29 | 4 | |
| E-13-10 | 9 | HZY3-90018-000 | BOLT, FLANGE, 5X14 | 2 | |
| E-13-10 | 10 | HZY3-91508-000 | COLLAR, TIMING BELT COVER | 2 | |
| E-13-10 | 11 | HS0A-91541-003 | CLIP, HARNESS BAND(BLACK) | 1 | (145MM) |
| | | | | | |
| | | | | | |
| | | | | | |
| | | | | | |
| | | | | | |
| | | | | | |
| | | | | | |
| | | | | | |
| | | | | | |
| | | | | | |
| | | | | | |
| | | | | | |
| | | | | | |
| | | | | | |
| | | | | | |
| | | | | | |
| | | | | | |
| | | | | | |

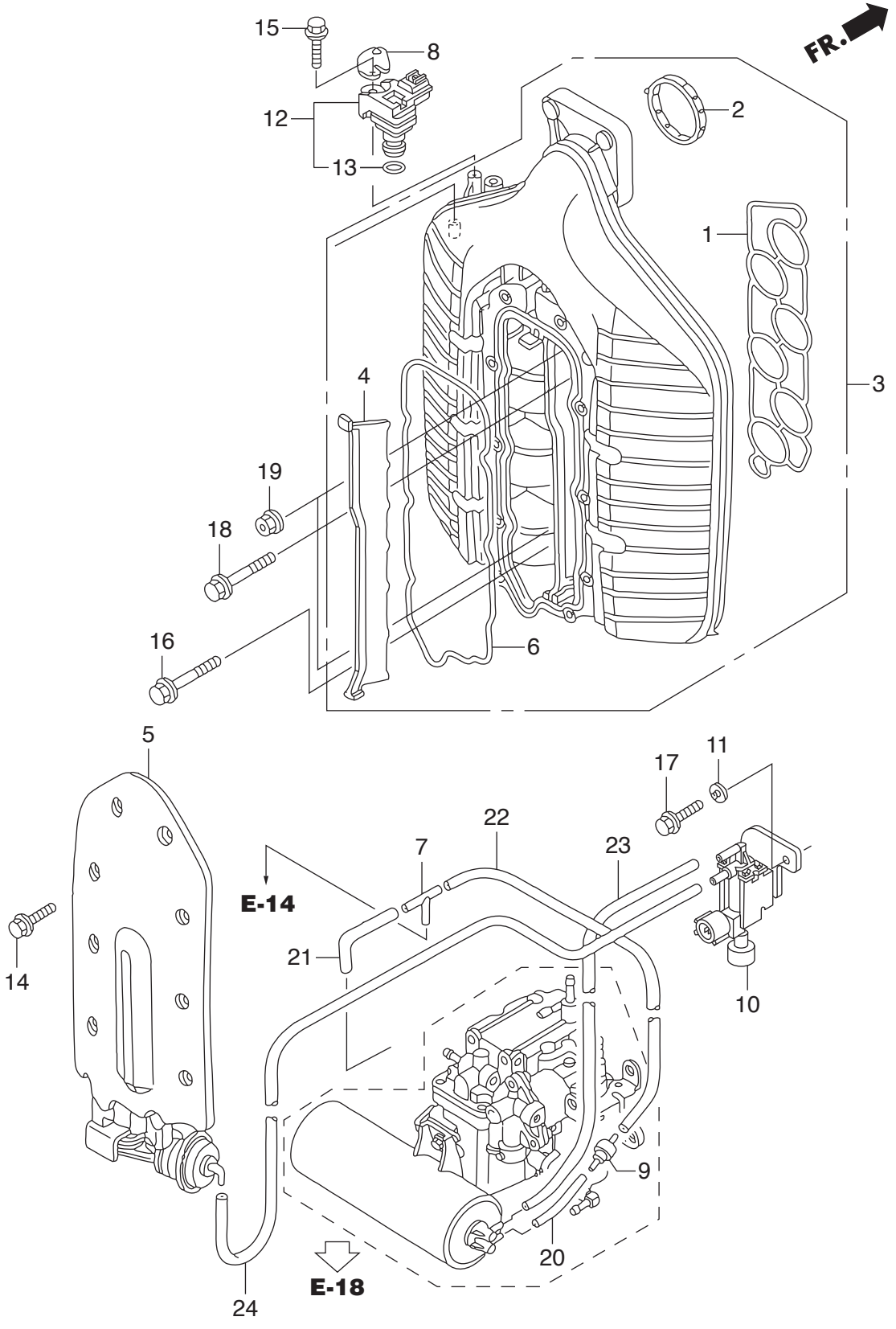
FR. →



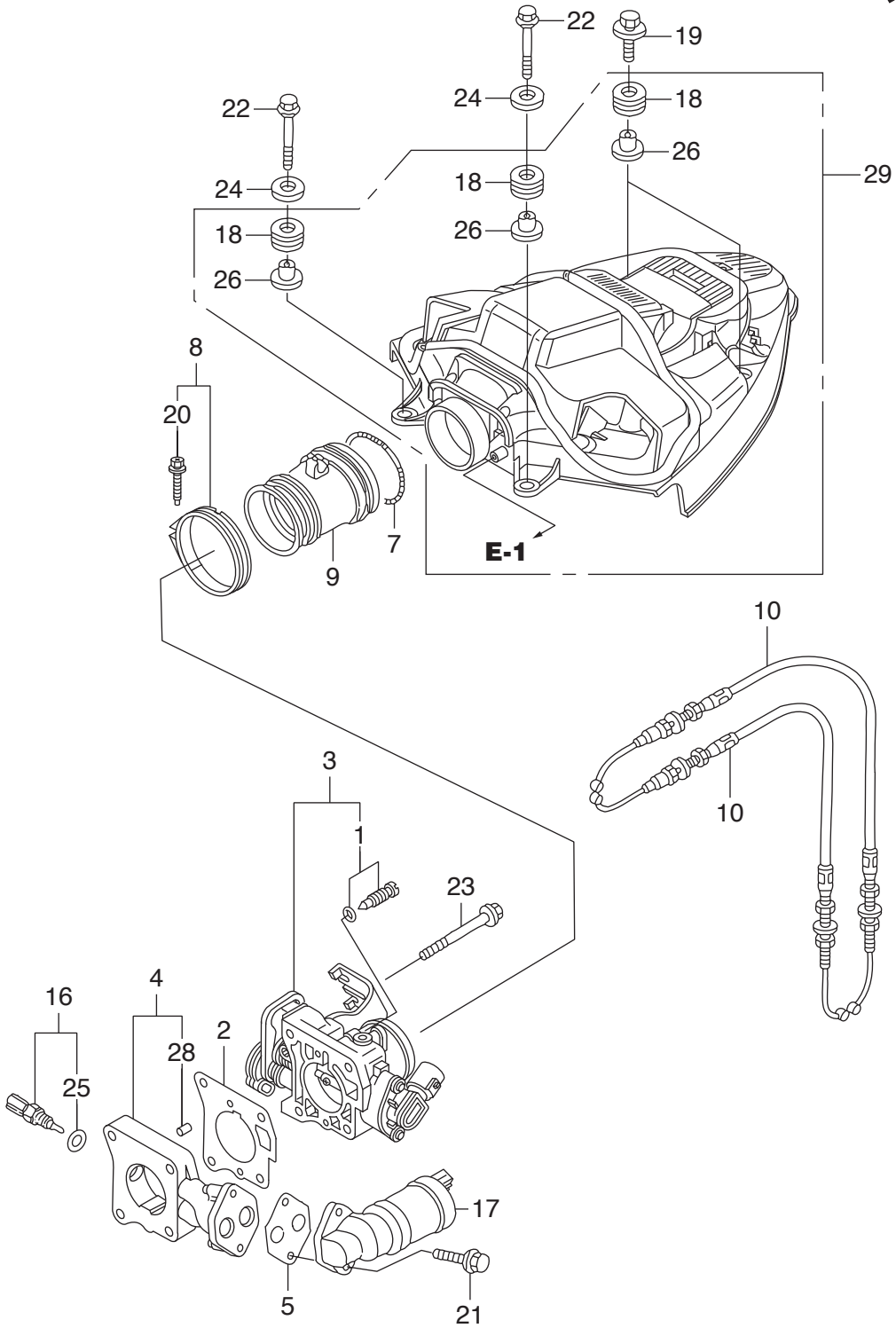
| Ref.No. | Part No. | Description | Q' ty | Remarks | |
|---------|----------|----------------|----------------------------|---------|--|
| | | | BFT250A | | |
| E-14 | 1 | HZY6-16450-003 | INJECTOR ASSY., FUEL | 6 | |
| E-14 | 2 | HZY3-16451-000 | CLIP, INJECTOR | 6 | |
| E-14 | 3 | HZY3-16611-A00 | PIPE, R. FUEL | 1 | |
| E-14 | 4 | HP5G-16614-003 | MESH, FUEL FILTER | 1 | |
| E-14 | 5 | HZY3-16620-A00 | PIPE COMP., L. FUEL | 1 | |
| E-14 | 6 | HZY3-16740-A01 | REGULATOR ASSY., PRESSURE | 1 | |
| E-14 | 7 | HPG7-16741-005 | O-RING, PRESSURE REGULATOR | 1 | |
| E-14 | 8 | HZY3-16752-A00 | JOINT, FUEL PIPE | 3 | |
| E-14 | 9 | HZY3-16755-003 | HOSE COMP., FUEL | 1 | |
| E-14 | 10 | HZY3-16757-003 | HOSE COMP., FUEL JOINT | 1 | |
| E-14 | 11 | HZY3-17051-A00 | BASE, R. INJECTOR | 1 | |
| E-14 | 12 | HRCA-17055-A01 | GASKET, FR. INJECTOR BASE | 1 | |
| E-14 | 13 | HZY3-17061-A00 | BASE, L. INJECTOR | 1 | |
| E-14 | 14 | HRCA-17065-A01 | GASKET, RR. INJECTOR BASE | 1 | |
| E-14 | 15 | HP8E-17105-A01 | GASKET, INTAKE MANIFOLD | 1 | |
| E-14 | 16 | HZY3-17108-000 | SPACER, INTAKE MANIFOLD | 1 | |
| E-14 | 17 | HZY3-32112-000 | BRACKET, HARNESS CLIP A | 4 | |
| E-14 | 18 | HSJ6-78419-003 | CLIP D, SPEEDOMETER CABLE | 2 | |
| E-14 | 19 | HZW9-90016-000 | BOLT, FLANGE, 6X25 | 4 | |
| E-14 | 20 | HZW9-90019-000 | BOLT, FLANGE, 6X35 | 4 | |
| E-14 | 21 | HZY3-90021-000 | BOLT, FLANGE, 6X14 | 6 | |
| E-14 | 22 | HZY3-90042-000 | BOLT, FLANGE, 6X10 | 6 | |
| E-14 | 23 | HZY3-90043-000 | BOLT, STUD, 8X28 | 8 | |
| E-14 | 24 | HZY3-90044-000 | BOLT, STUD, 8X45 | 2 | |
| E-14 | 25 | HZY3-90205-000 | NUT, FLANGE, 8MM | 8 | |
| E-14 | 26 | HSB2-90650-003 | CLIP, WIRE HARNESS, 10MM | 4 | |
| E-14 | 27 | HMJ0-91301-003 | O-RING, 7.8X1.9(ARAI) | 6 | |
| E-14 | 28 | HPLC-91301-000 | O-RING, 7.47X3.6 | 6 | |
| E-14 | 29 | HPNA-91302-003 | O-RING, 7.45X3.61(NOK) | 6 | |

FR. →

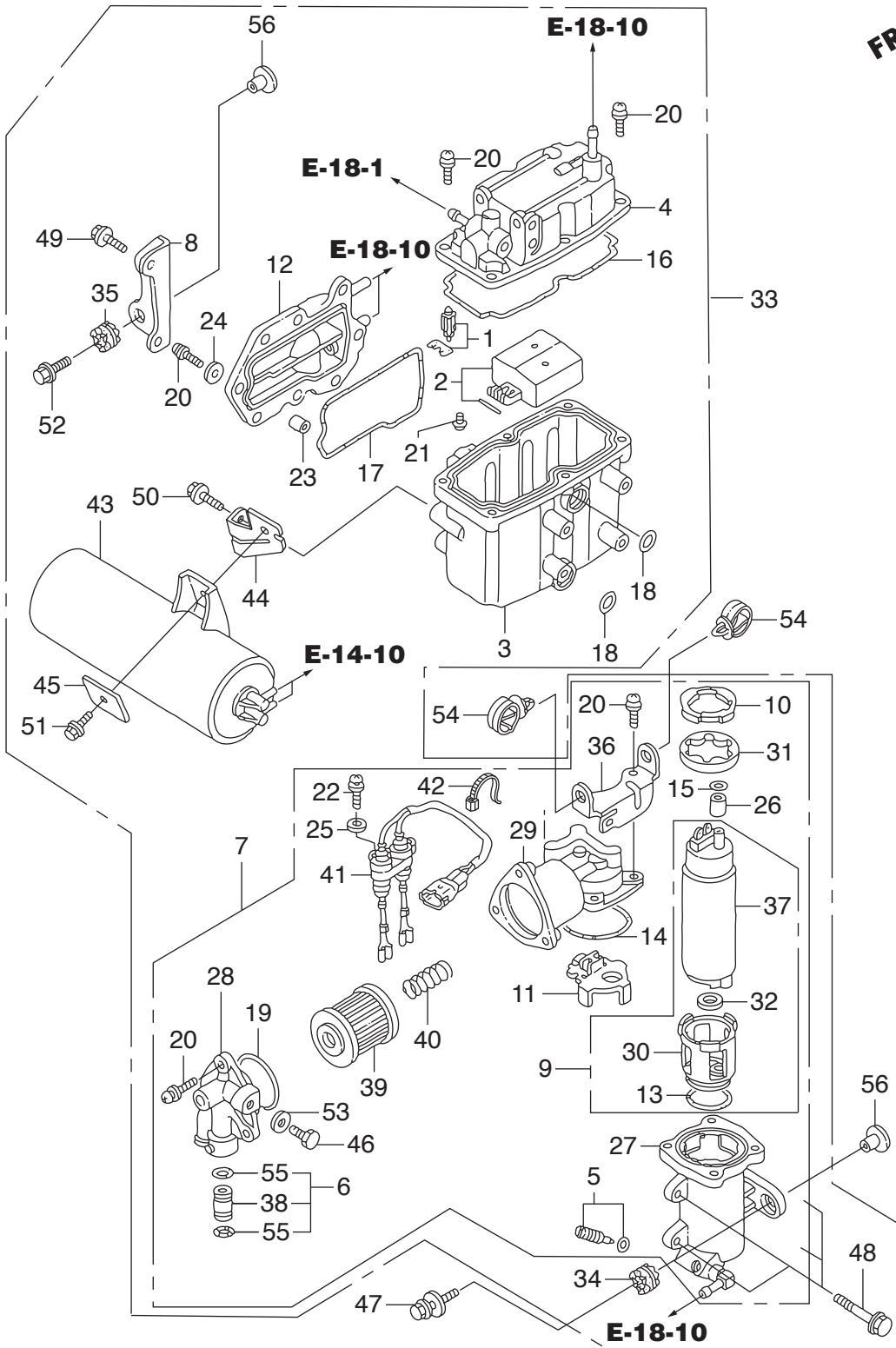




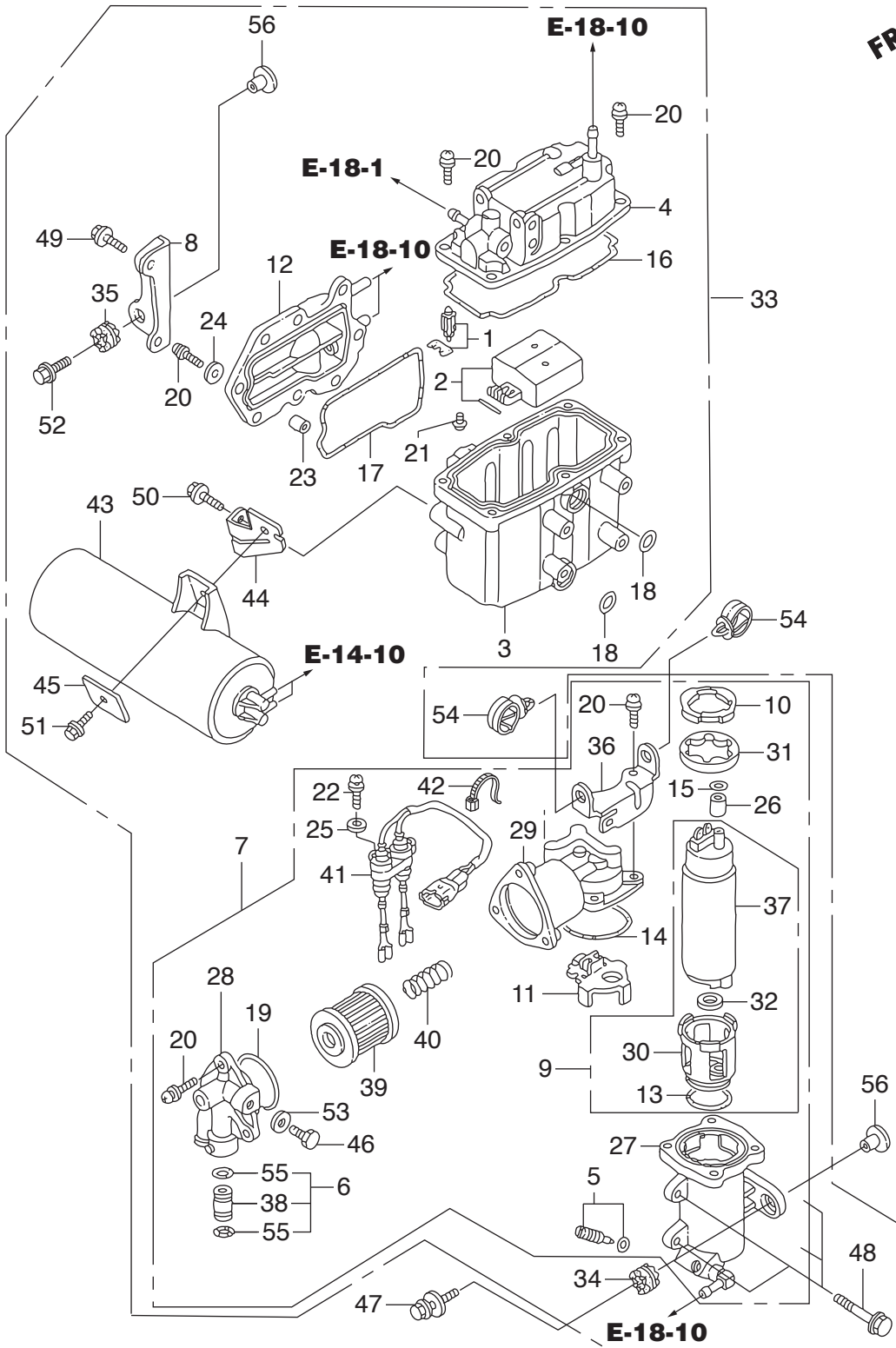
| Ref.No. | Part No. | Description | Q' ty | Remarks | |
|---------|----------|--------------------|-------------------------------|---------|----------------------|
| | | | BFT250A | | |
| E-14-10 | 1 | HZY3-17105-004 | GASKET, INTAKE MANIFOLD | 1 | |
| E-14-10 | 2 | HZY3-17109-004 | PACKING, THROTTLE BODY | 1 | |
| E-14-10 | 3 | HZY3-17110-003 | MANIFOLD COMP., INTAKE | 1 | |
| E-14-10 | 4 | HZY3-17113-003 | PLATE, INTAKE MANIFOLD CENTER | 1 | |
| E-14-10 | 5 | HZY3-17130-003ZA | COVER COMP., INTAKE MANIFOLD | 1 | *NH8* DARK GRAY |
| E-14-10 | 6 | HZY3-17138-004 | PACKING, INTAKE MANIFOLD UP | 1 | COVER |
| E-14-10 | 7 | HMG9-17201-000 | JOINT A, VACUUM TUBE | 1 | |
| E-14-10 | 8 | HZY3-32128-000 | BRACKET, SENSOR CORD | 1 | |
| E-14-10 | 9 | HPM4-36145-004 | VALVE, CHECK | 1 | |
| E-14-10 | 10 | HZY3-36163-003 | VALVE ASSY., AIR BYPASS | 1 | |
| E-14-10 | 11 | HP8D-36165-J00 | WASHER, CONICAL SPRING(5) | 1 | |
| E-14-10 | 12 | HRNA-37830-A01 | SENSOR ASSY., MAP | 1 | |
| E-14-10 | 13 | HPGK-37835-A01 | O-RING | 1 | |
| E-14-10 | 14 | HZY3-90023-000 | BOLT, FLANGE, 6X22 | 10 | |
| E-14-10 | 15 | HZY3-90029-000 | BOLT-WASHER, 5X18 | 1 | |
| E-14-10 | 16 | HZY3-90031-000 | BOLT, FLANGE, 6X32 | 1 | |
| E-14-10 | 17 | HZY3-90058-000 | BOLT, FLANGE, 5X10 | 1 | |
| E-14-10 | 18 | HZW4-90156-000 | BOLT, FLANGE, 8X50 | 7 | |
| E-14-10 | 19 | HZY3-90205-000 | NUT, FLANGE, 8MM | 2 | |
| E-14-10 | 20 | HCO-95001-35040-40 | TUBE, FUEL, 3.5X40 | 1 | (HC-95001-35001-60M) |
| E-14-10 | 21 | HCO-95001-35130-40 | TUBE, FUEL, 3.5X130 | 1 | (HC-95001-35001-60M) |
| E-14-10 | 22 | HCO-95001-35540-40 | TUBE, FUEL, 3.5X540 | 1 | (HC-95001-35001-60M) |
| E-14-10 | 23 | HCO-95001-35590-60 | TUBE, FUEL, 3.5X590 | 1 | (HC-95001-35001-60M) |
| E-14-10 | 24 | HCO-95001-35600-40 | TUBE, FUEL, 3.5X600 | 1 | (HC-95001-35001-60M) |
| | | | | | |
| | | | | | |
| | | | | | |
| | | | | | |
| | | | | | |
| | | | | | |
| | | | | | |
| | | | | | |
| | | | | | |



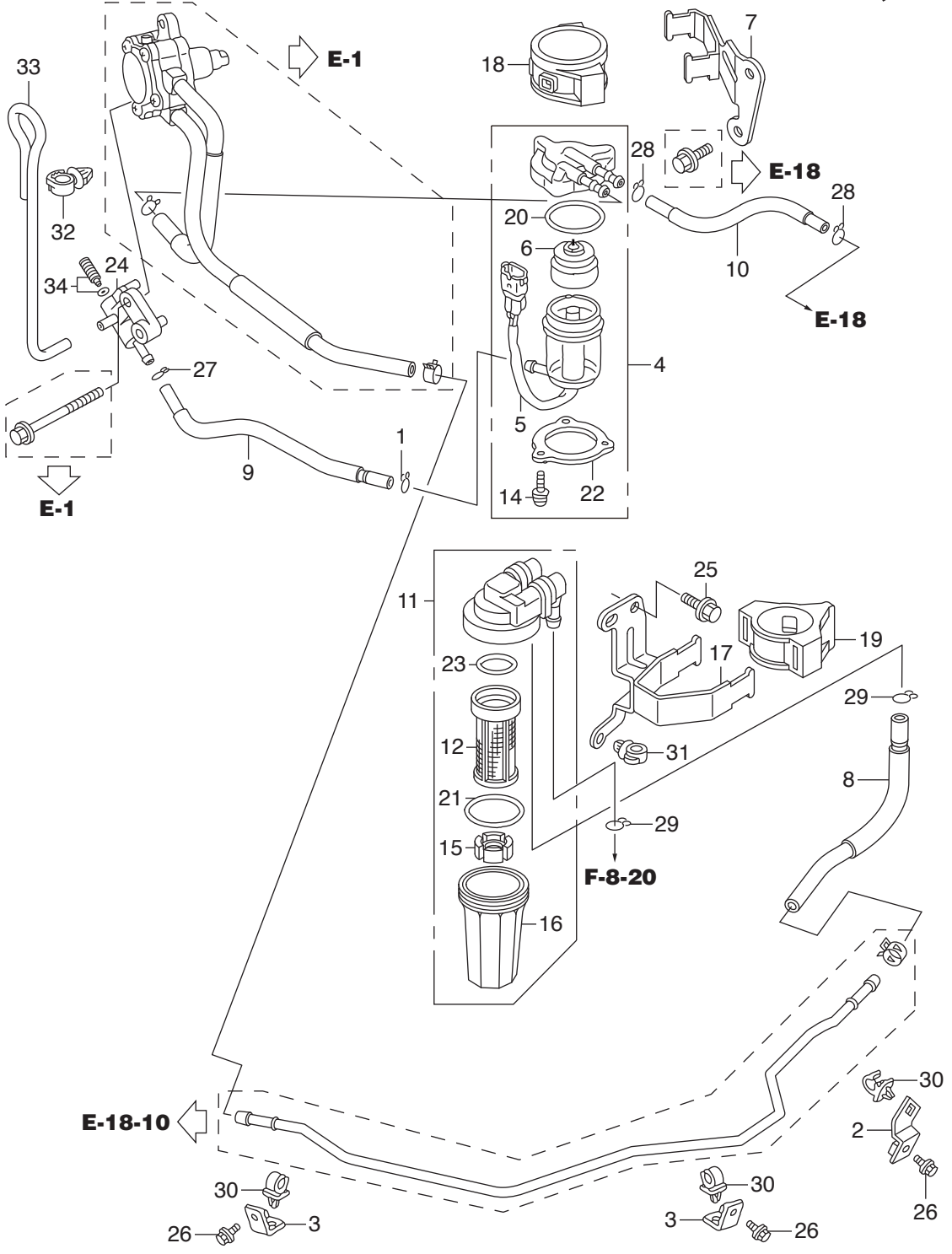
| Ref.No. | Part No. | Description | Q' ty | Remarks | |
|---------|----------|-----------------|--------------------------|---------|--|
| | | | BFT250A | | |
| E-15 | 1 | HZY3-16016-003 | SCREW SET | 1 | |
| E-15 | 2 | HZY3-16176-000 | GASKET, THROTTLE BODY | 1 | |
| E-15 | 3 | HZY3-16400-A01 | THROTTLE BODY ASSY. | 1 | |
| E-15 | 4 | HZX2-16404-000 | SPACER, THROTTLE BODY | 1 | |
| E-15 | 5 | HZY3-16405-000 | GASKET, EAC VALVE | 1 | |
| E-15 | 7 | HPY3-17249-000 | SPRING, AIR FLOW TUBE | 1 | |
| E-15 | 8 | HZY9-17315-000 | BAND, AIR FLOW | 1 | |
| E-15 | 9 | HZX2-17374-000 | GROMMET, SILENCER | 1 | |
| E-15 | 10 | HZY3-17910-013 | CABLE COMP., THROTTLE | 2 | |
| E-15 | 16 | HZW5-35665-003 | SENSOR ASSY., AIR TEMP | 1 | |
| E-15 | 17 | HZY3-36550-003 | VALVE ASSY., EAC | 1 | |
| E-15 | 18 | HZV5-40102-000 | GROMMET, UNDER CASE | 4 | |
| E-15 | 19 | HZW1-90013-000 | BOLT-WASHER, 6X25 | 2 | |
| E-15 | 20 | HZY9-90017-000 | BOLT-WASHER, 5X30 | 1 | |
| E-15 | 21 | HZY3-90030-000 | BOLT, FLANGE, 6X22 | 2 | |
| E-15 | 22 | HZY3-90034-000 | BOLT, FLANGE, 6X60 | 2 | |
| E-15 | 23 | HZY3-90037-000 | BOLT, FLANGE, 8X65 | 4 | |
| E-15 | 24 | HZY3-90508-000 | WASHER, PLAIN, 6MM | 2 | |
| E-15 | 25 | HP0A-91303-A02 | O-RING | 1 | |
| E-15 | 26 | HZV5-91553-010 | COLLAR, C.D.I. UNIT CASE | 4 | |
| E-15 | 28 | HCO-94301-06100 | DOWEL PIN, 6X10 | 2 | |
| E-15 | 29 | HZX2-19540-010 | COVER ASSY., COOLING FAN | 1 | |
| | | | | | |
| | | | | | |
| | | | | | |
| | | | | | |
| | | | | | |
| | | | | | |
| | | | | | |
| | | | | | |
| | | | | | |



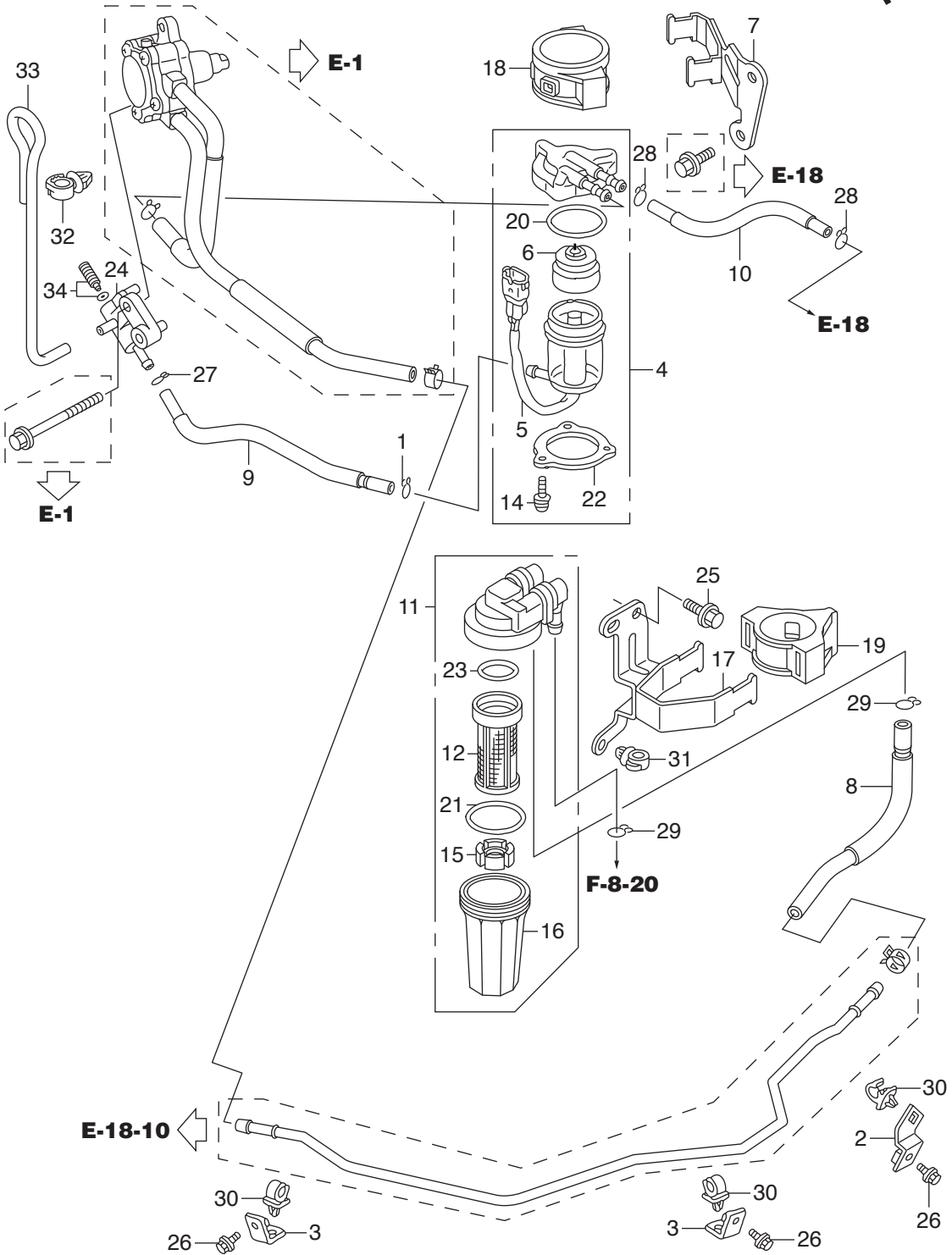
| Ref.No. | Part No. | Description | Q' ty | Remarks | |
|---------|----------|----------------|-----------------------|---------|--|
| | | | BFT250A | | |
| E-18 | 1 | HZY3-16011-A01 | VALVE SET, FLOAT | 1 | |
| E-18 | 2 | HZY3-16013-000 | FLOAT SET | 1 | |
| E-18 | 3 | HZY3-16015-000 | BODY | 1 | |
| E-18 | 4 | HZX2-16020-003 | COVER COMP. | 1 | |
| E-18 | 5 | HZY3-16024-000 | SCREW SET, DRAIN | 1 | |
| E-18 | 6 | HZY3-16026-000 | JOINT SET | 1 | |
| E-18 | 7 | HZX2-16030-003 | PUMP UNIT SET A, FUEL | 1 | |
| E-18 | 8 | HZY3-16031-010 | STAY, PLATE | 1 | |
| E-18 | 9 | HZY3-16036-003 | PUMP UNIT SET B, FUEL | 1 | |
| E-18 | 10 | HZY3-16041-000 | PLATE | 1 | |
| E-18 | 11 | HZY3-16042-000 | HOLDER | 1 | |
| E-18 | 12 | HZY3-16061-000 | COVER, WATER JACKET | 1 | |
| E-18 | 13 | HZY3-16072-000 | O-RING | 1 | |
| E-18 | 14 | HZY3-16073-000 | O-RING | 1 | |
| E-18 | 15 | HZY3-16074-000 | O-RING | 1 | |
| E-18 | 16 | HZY3-16075-000 | O-RING | 1 | |
| E-18 | 17 | HZY3-16076-000 | O-RING | 1 | |
| E-18 | 18 | HZY3-16077-000 | O-RING | 2 | |
| E-18 | 19 | HZY3-16078-000 | O-RING | 1 | |
| E-18 | 20 | HZW5-16081-010 | SCREW-WASHER | 21 | |
| E-18 | 21 | HZY3-16082-000 | SCREW, PAN | 2 | |
| E-18 | 22 | HZY3-16083-000 | SCREW, WASHER | 1 | |
| E-18 | 23 | HZW5-16086-000 | COLLAR | 8 | |
| E-18 | 24 | HZW5-16087-000 | WASHER, PLAIN | 8 | |
| E-18 | 25 | HZY3-16087-000 | WASHER, PLAIN | 1 | |
| E-18 | 26 | HZY3-16088-000 | COLLAR | 1 | |
| E-18 | 27 | HZX2-16701-003 | CASE COMP., PUMP | 1 | |
| E-18 | 28 | HZY3-16708-000 | COVER, PUMP | 1 | |
| E-18 | 29 | HZW5-16715-023 | COVER, PUMP(A) | 1 | |



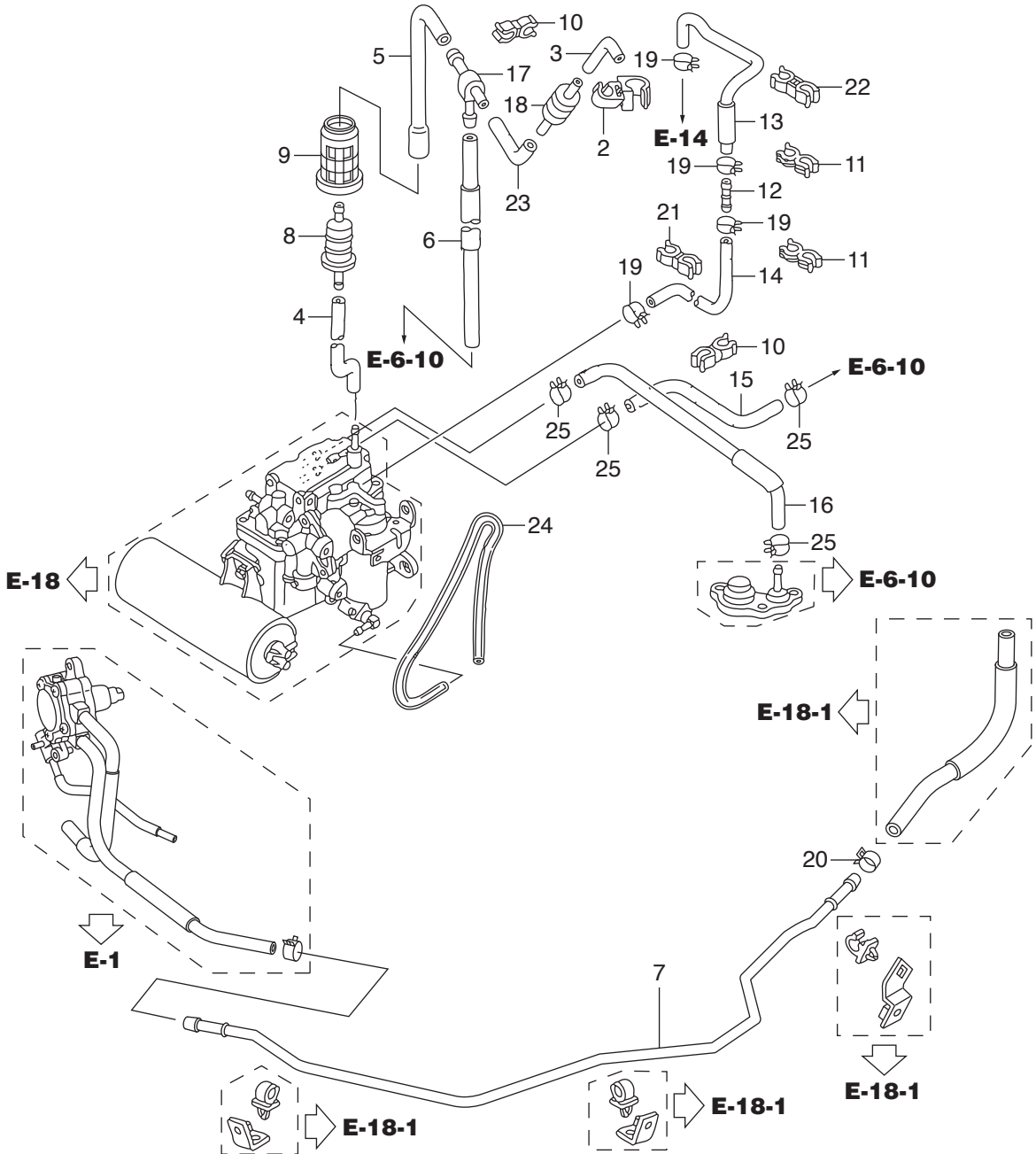
| Ref.No. | Part No. | Description | Q' ty | Remarks | |
|---------|----------|----------------|-----------------------------|---------|--|
| | | | BFT250A | | |
| E-18 | 30 | HZY6-16718-013 | INSULATOR COMP. | 1 | |
| E-18 | 31 | HZY3-16721-000 | INSULATOR | 1 | |
| E-18 | 32 | HZY6-16723-003 | RING | 1 | |
| E-18 | 33 | HZX2-16730-003 | SEPARATOR ASSY., VAPOR | 1 | |
| E-18 | 34 | HZW5-16733-000 | GROMMET, VAPOR SEPARATOR | 1 | |
| E-18 | 35 | HZY3-16733-000 | GROMMET, VAPOR SEPARATOR | 2 | |
| E-18 | 36 | HZY3-16734-000 | STAY, PLATE | 1 | |
| E-18 | 37 | HZY3-16735-004 | PUMP UNIT, FUEL | 1 | |
| E-18 | 38 | HZY3-16752-000 | JOINT, FUEL PIPE | 1 | |
| E-18 | 39 | HZY3-16911-010 | SCREEN COMP., FUEL STRAINER | 1 | |
| E-18 | 40 | HZY3-16913-000 | SPRING, SET | 1 | |
| E-18 | 41 | HZX2-32166-003 | HARNESS COMP. | 1 | |
| E-18 | 42 | HZW5-32168-003 | BAND | 1 | |
| E-18 | 43 | HPR7-36361-A01 | TANK COMP., VACUUM | 1 | |
| E-18 | 44 | HZY3-36362-000 | STAY, VACUUM TANK | 1 | |
| E-18 | 45 | HZY3-36620-000 | PLATE | 1 | |
| E-18 | 46 | HPP4-90009-E01 | BOLT, SEALING, 6MM | 1 | |
| E-18 | 47 | HZW1-90014-000 | BOLT-WASHER, 8X35 | 1 | |
| E-18 | 48 | HZW9-90016-000 | BOLT, FLANGE, 6X25 | 4 | |
| E-18 | 49 | HZY3-90017-000 | BOLT, FLANGE, 6X16 | 2 | |
| E-18 | 50 | HZY3-90021-000 | BOLT, FLANGE, 6X14 | 2 | |
| E-18 | 51 | HZY3-90050-000 | BOLT, FLANGE, 6X12 | 1 | |
| E-18 | 52 | HZY3-90054-000 | BOLT, FLANGE, 8X35 | 2 | |
| E-18 | 53 | HPD6-90430-003 | WASHER, SEALING, 6MM | 1 | |
| E-18 | 54 | HZB7-90691-003 | CLIP, HARNESS | 2 | |
| E-18 | 55 | HMJ0-91301-003 | O-RING, 7.8X1.9(ARAI) | 2 | |
| E-18 | 56 | HZW1-91554-000 | COLLAR, 8.5X14.5 | 3 | |
| | | | | | |
| | | | | | |



| Ref.No. | Part No. | Description | Q' ty | Remarks | |
|---------|----------|----------------|--------------------------|---------|--|
| | | | BFT250A | | |
| E-18-1 | 1 | HGHB-16163-600 | CLIP, TUBE | 1 | |
| E-18-1 | 2 | HZY3-16753-000 | STAY, FUEL PIPE A | 1 | |
| E-18-1 | 3 | HZY3-16754-000 | STAY, FUEL PIPE B | 2 | |
| E-18-1 | 4 | HZX2-16800-003 | SEPARATOR ASSY., WATER | 1 | |
| E-18-1 | 5 | HZX2-16805-003 | CUP SET, WATER SEPARATOR | 1 | |
| E-18-1 | 6 | HZY3-16807-003 | BUFFER, PLATE | 1 | |
| E-18-1 | 7 | HZX2-16814-000 | STAY, WATER SEPARATOR | 1 | |
| E-18-1 | 8 | HZX2-16860-C00 | TUBE COMP. B, FUEL | 1 | |
| E-18-1 | 9 | HZX2-16880-C00 | TUBE COMP. D, FUEL | 1 | |
| E-18-1 | 10 | HZX2-16890-C00 | TUBE COMP. E, FUEL | 1 | |
| E-18-1 | 11 | HZX2-16900-003 | STRAINER ASSY., FUEL | 1 | |
| E-18-1 | 12 | HZZ5-16901-003 | FILTER | 1 | |
| E-18-1 | 14 | HZY3-16904-003 | SCREW, PAN, 5X12 | 3 | |
| E-18-1 | 15 | HZZ5-16906-003 | FLOAT | 1 | |
| E-18-1 | 16 | HZX2-16912-003 | CUP | 1 | |
| E-18-1 | 17 | HZX2-16914-000 | STAY, FUEL STRAINER | 1 | |
| E-18-1 | 18 | HZY3-16915-010 | SUSPENSION, STRAINER | 1 | |
| E-18-1 | 19 | HZZ5-16915-000 | SUSPENSION, STRAINER | 1 | |
| E-18-1 | 20 | HZY3-16918-003 | O-RING | 1 | |
| E-18-1 | 21 | HZZ5-16918-003 | O-RING | 1 | |
| E-18-1 | 22 | HZY3-16919-003 | PLATE | 1 | |
| E-18-1 | 23 | HZZ5-16919-003 | O-RING | 1 | |
| E-18-1 | 24 | HZX2-16940-003 | COCK ASSY., FUEL DRAIN | 1 | |
| E-18-1 | 25 | HZW9-90014-000 | BOLT, FLANGE, 6X10 | 2 | |
| E-18-1 | 26 | HZY3-90056-000 | BOLT, FLANGE, 6X12 | 3 | |
| E-18-1 | 27 | H921-90602-000 | CLIP, TUBE(B8) | 1 | |
| E-18-1 | 28 | HZV0-90604-000 | CLIP, TUBE(B12) | 2 | |
| E-18-1 | 29 | HZV4-90605-000 | CLIP, TUBE(B12.5) | 2 | |
| E-18-1 | 30 | HKG4-90659-000 | CLAMP, WIRE, 8MM | 3 | |

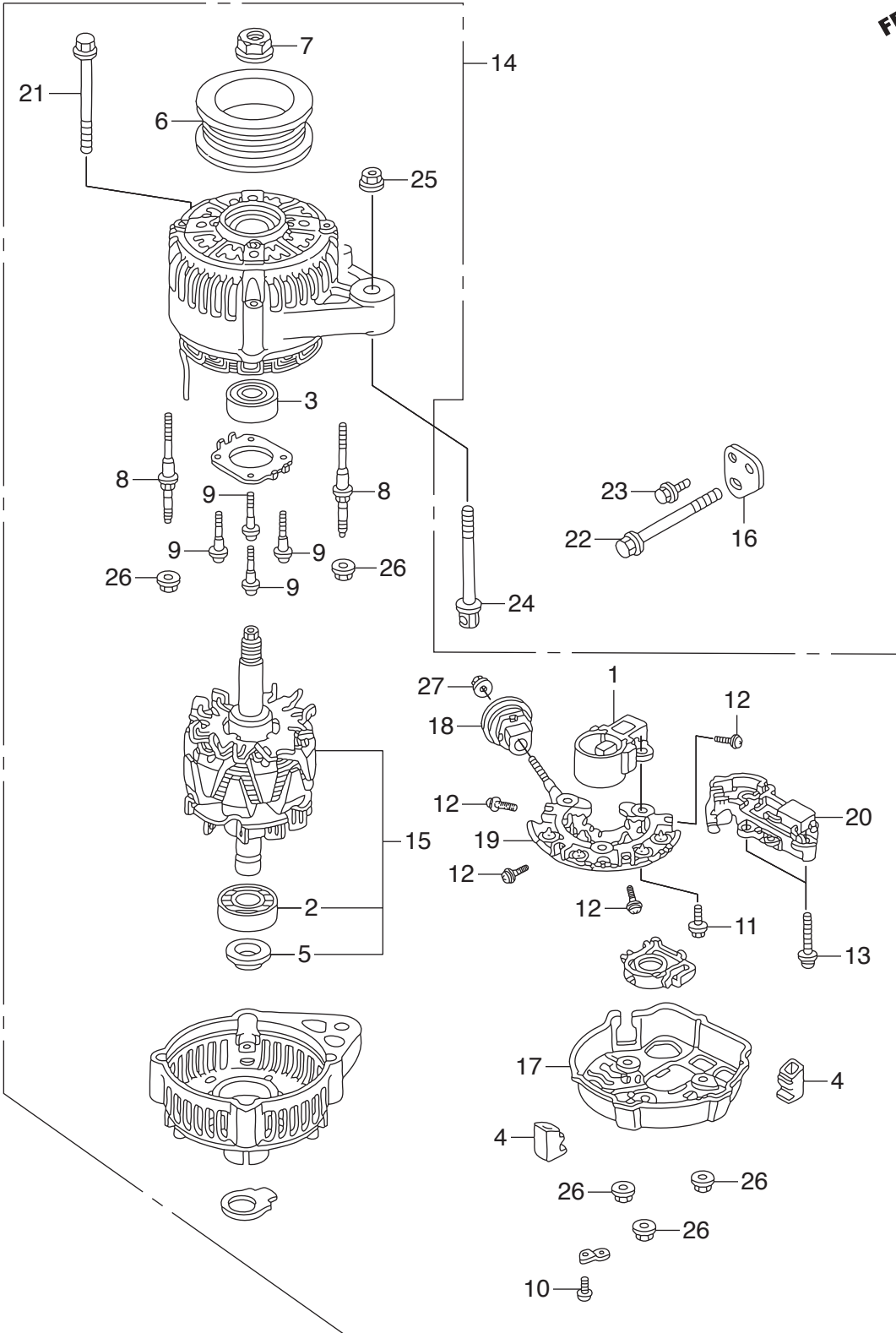


FR. 

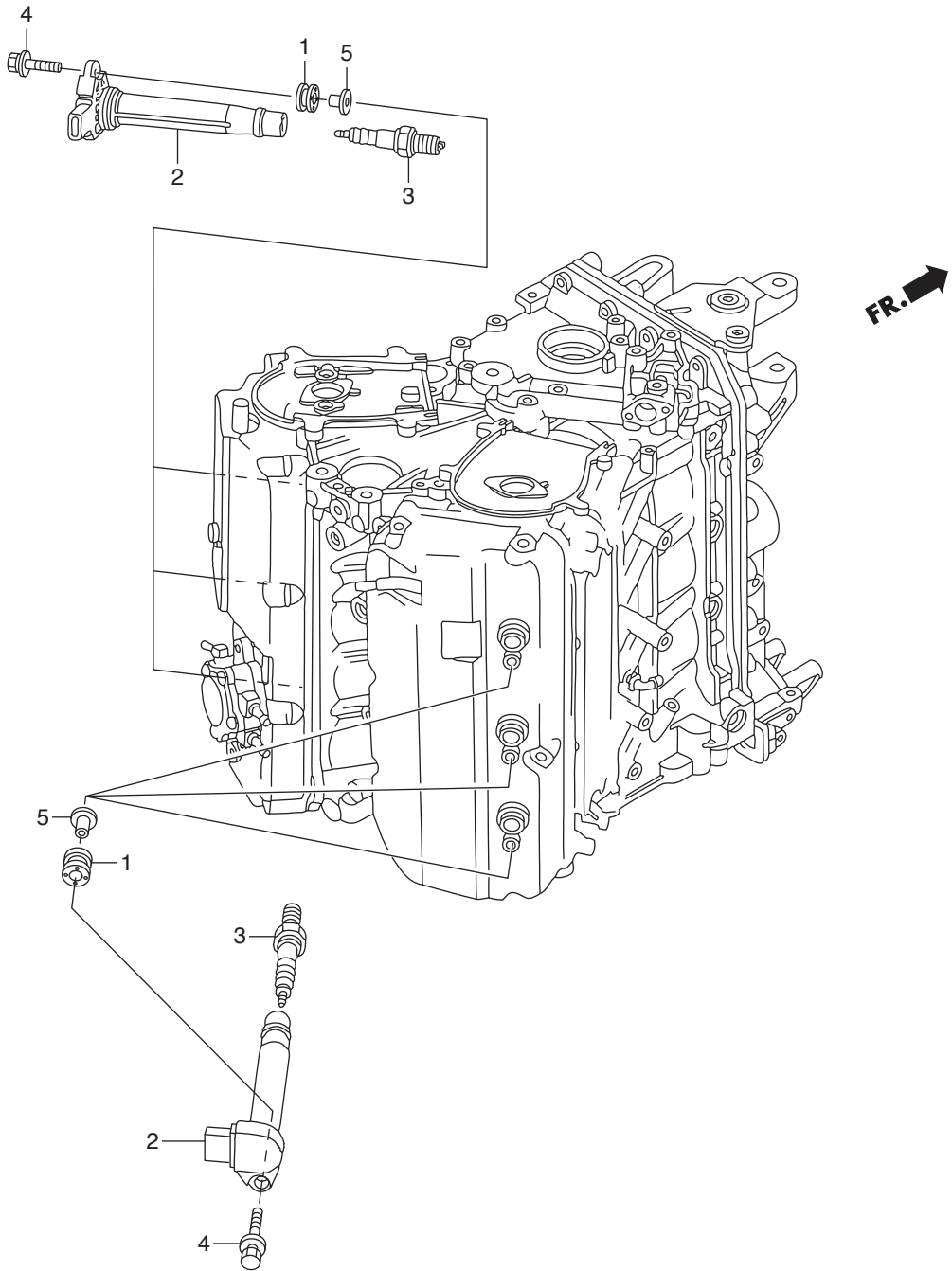


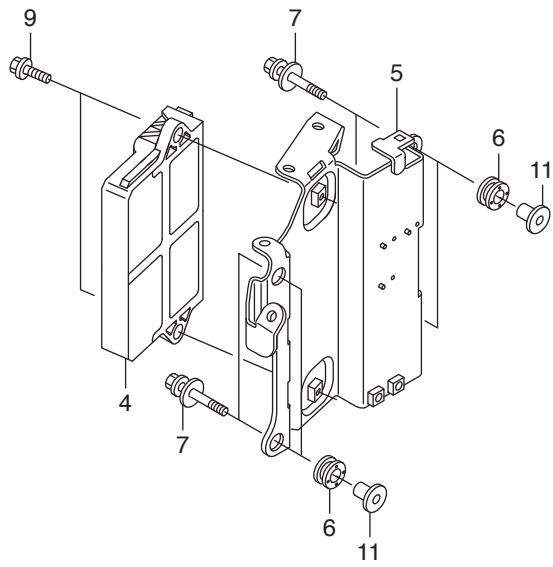
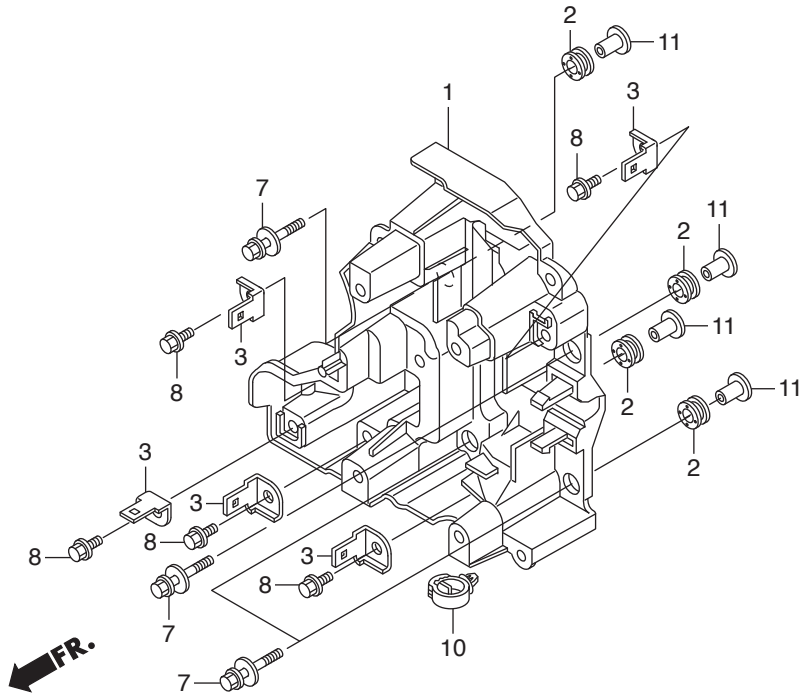
| Ref.No. | Part No. | Description | Q' ty | Remarks | |
|---------|----------|--------------------|----------------------------|---------|----------------------|
| | | | BFT250A | | |
| E-18-10 | 2 | HZY3-16193-A00 | CLAMP, CHECK VALVE | 1 | |
| E-18-10 | 3 | HZY3-16196-A00 | TUBE, CHECK VALVE | 1 | |
| E-18-10 | 4 | HZY3-16197-000 | TUBE A, AIR VENT | 1 | |
| E-18-10 | 5 | HZY3-16198-A00 | TUBE B, AIR VENT | 1 | |
| E-18-10 | 6 | HZY3-16199-A00 | TUBE COMP., AIR VENT | 1 | |
| E-18-10 | 7 | HZY3-16751-000 | PIPE, FUEL | 1 | |
| E-18-10 | 8 | H759-16911-003 | STRAINER, FUEL PUMP | 1 | |
| E-18-10 | 9 | HZW5-16915-000 | SUSPENSION, STRAINER | 1 | |
| E-18-10 | 10 | HVM0-16965-771 | CLAMP, HOSE | 2 | |
| E-18-10 | 11 | HKY7-17450-740 | CLIP, TUBE | 2 | |
| E-18-10 | 12 | HZY3-17721-000 | JOINT, FUEL RETURN | 1 | |
| E-18-10 | 13 | HZY3-17723-A01 | HOSE A, PRESSURE REGULATOR | 1 | RETURN |
| E-18-10 | 14 | HZY3-17724-010 | HOSE B, PRESSURE REGULATOR | 1 | RETURN |
| E-18-10 | 15 | HZY3-19258-010 | TUBE, WATER IN. | 1 | |
| E-18-10 | 16 | HZY3-19259-000 | TUBE, WATER OUTLET | 1 | |
| E-18-10 | 17 | HZY6-19269-000 | T-JOINT | 1 | |
| E-18-10 | 18 | HZY6-36135-003 | VALVE, CHECK | 1 | |
| E-18-10 | 19 | HZW5-90601-030 | CLAMP, TUBE(D10.7) | 4 | |
| E-18-10 | 20 | HZV0-90604-000 | CLIP, TUBE(B12) | 1 | |
| E-18-10 | 21 | HMB1-90655-921 | CLIP, WIRE | 1 | |
| E-18-10 | 22 | HSL0-91592-A51 | CLAMP, FUEL TUBE | 1 | |
| E-18-10 | 23 | HCO-95001-35055-40 | TUBE, FUEL, 3.5X55 | 1 | (HC-95001-35001-60M) |
| E-18-10 | 24 | HCO-95003-05060-31 | TUBE, VINYL, 3.5X6.5X600 | 1 | (HC-95003-05001-60M) |
| E-18-10 | 25 | HZY3-90601-030 | CLAMP, TUBE(D10.5) | 4 | |
| | | | | | |
| | | | | | |
| | | | | | |
| | | | | | |
| | | | | | |
| | | | | | |

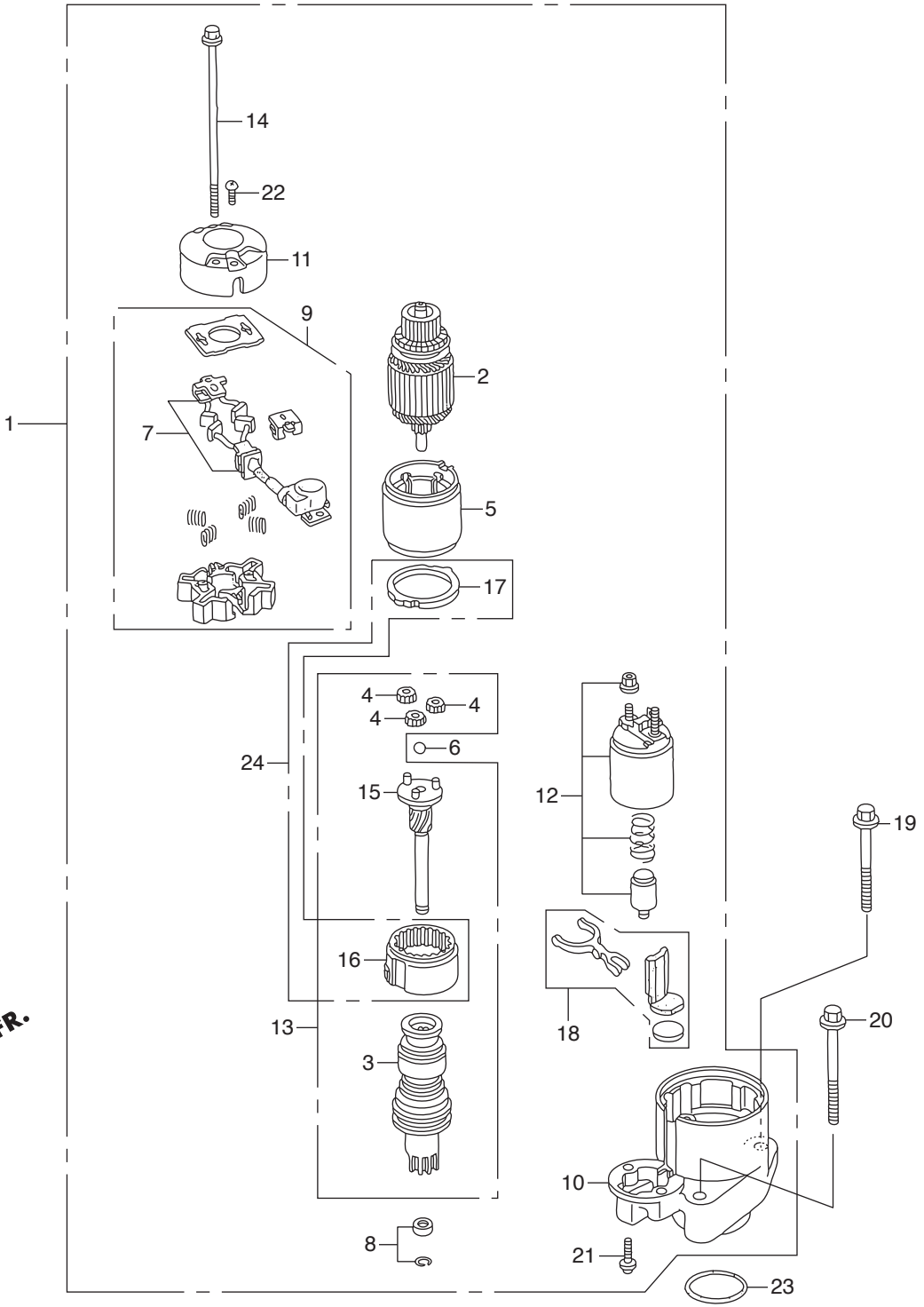
FR. →



| Ref.No. | Part No. | Description | Q' ty | Remarks | |
|---------|----------|--------------------|------------------------|---------|--|
| | | | BFT250A | | |
| E-19 | 1 | HPR7-31105-A01 | HOLDER ASSY., BRUSH | 1 | |
| E-19 | 2 | HPT0-31111-003 | BEARING, RR. GENERATOR | 1 | |
| E-19 | 3 | HPT0-31114-013 | BEARING, FR. GENERATOR | 1 | |
| E-19 | 4 | HPT0-31118-003 | BUSH, INSULATION | 4 | |
| E-19 | 5 | HPD1-31138-004 | COVER, BEARING | 1 | |
| E-19 | 6 | HP13-31141-003 | PULLEY | 1 | |
| E-19 | 7 | HPD1-31142-004 | NUT, PULLEY LOCK | 1 | |
| E-19 | 8 | HPD1-31145-004 | BOLT, STUD, 6X68 | 4 | |
| E-19 | 9 | HPT0-31146-003 | SCREW | 4 | |
| E-19 | 10 | HP13-31147-003 | SCREW | 1 | |
| E-19 | 11 | HPT0-31147-003 | SCREW-WASHER | 3 | |
| E-19 | 12 | HP13-31148-003 | SCREW, WAVE WASHER | 4 | |
| E-19 | 13 | HPT0-31148-003 | SCREW, WAVE WASHER | 2 | |
| E-19 | 14 | HZY3-31630-003 | GENERATOR ASSY., A.C. | 1 | |
| E-19 | 15 | HZY3-31631-003 | ROTOR ASSY. | 1 | |
| E-19 | 16 | HZY3-31637-000 | STAY, A.C. GENERATOR | 1 | |
| E-19 | 17 | HZY3-31639-003 | END COVER, RR. | 1 | |
| E-19 | 18 | HZY3-31694-003 | BUSH, INSULATION | 1 | |
| E-19 | 19 | HZY3-31710-003 | RECTIFIER ASSY. | 1 | |
| E-19 | 20 | HZY3-31750-003 | REGULATOR ASSY. | 1 | |
| E-19 | 21 | HZX2-90002-000 | BOLT, FLANGE, 10X90 | 1 | |
| E-19 | 22 | HZW5-90011-010 | BOLT, SPECIAL ADJUSTER | 1 | |
| E-19 | 23 | HZY3-90017-000 | BOLT, FLANGE, 6X16 | 1 | |
| E-19 | 24 | HZY3-90055-000 | BOLT, TENSIONER | 1 | |
| E-19 | 25 | HZW5-90203-010 | NUT, FLANGE, 8MM | 1 | |
| E-19 | 26 | HPD1-90231-014 | NUT-WASHER, 5MM | 7 | |
| E-19 | 27 | HCO-94001-06080-0S | NUT, HEX., 6MM | 1 | |
| | | | | | |
| | | | | | |

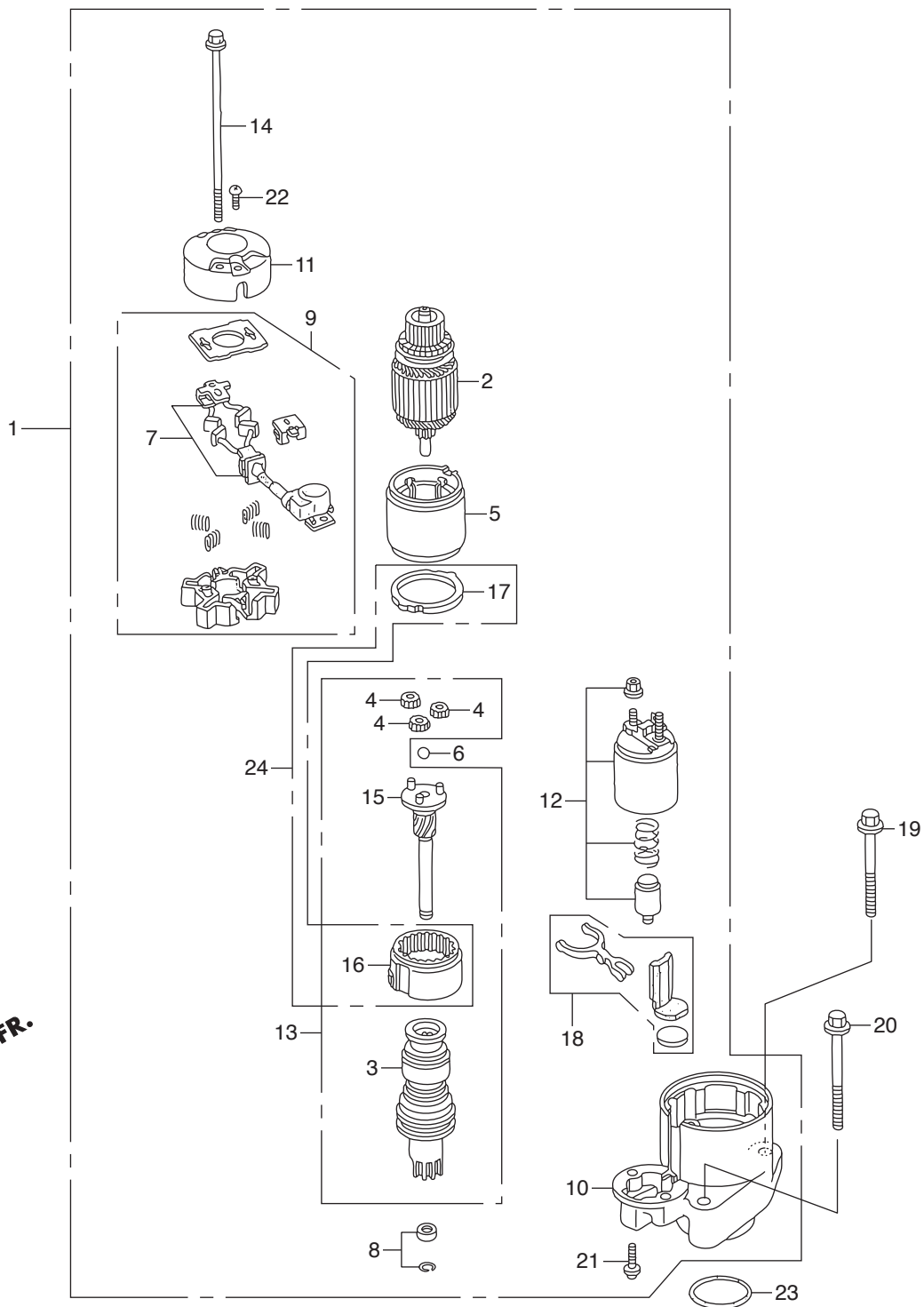


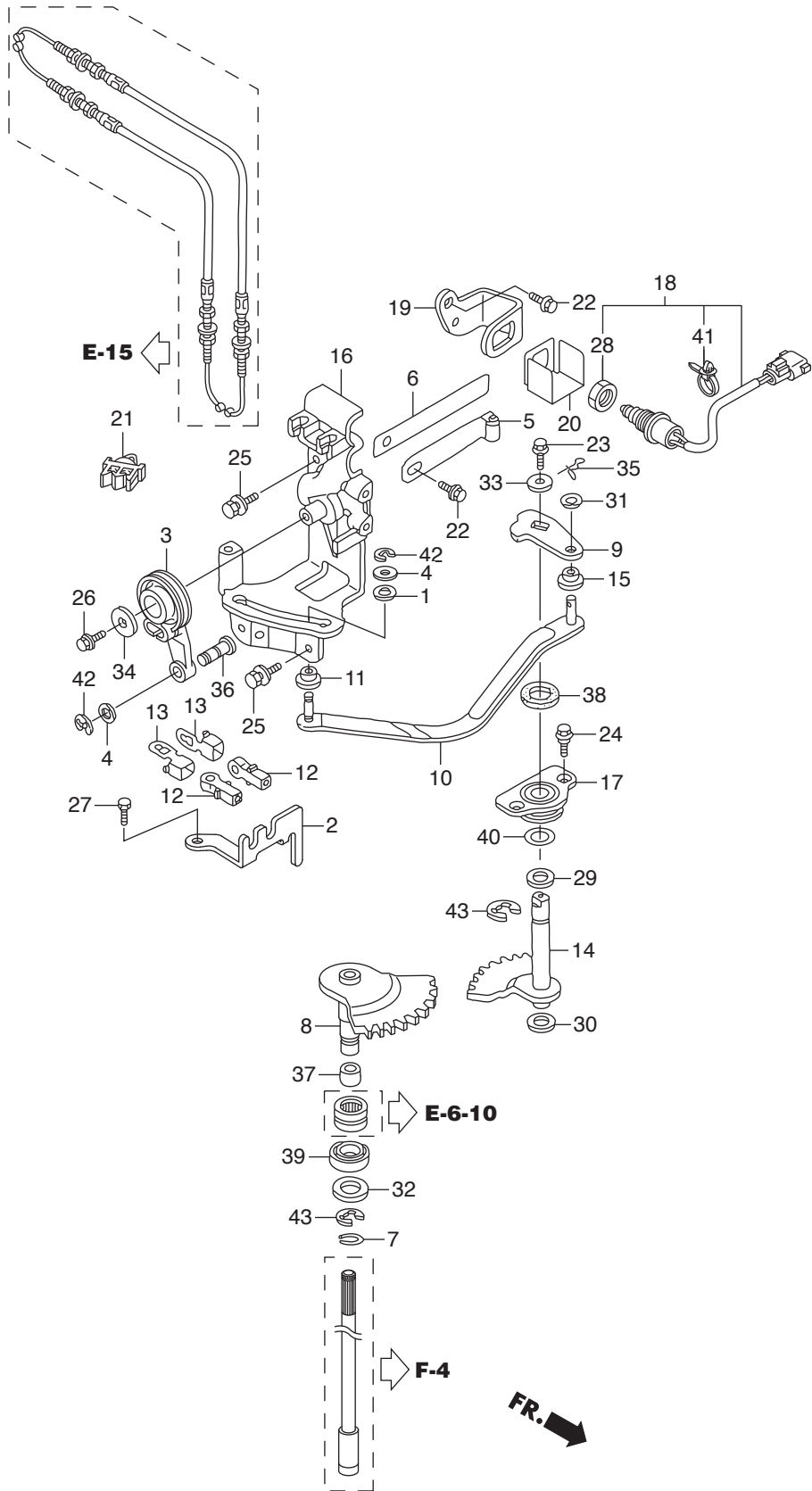




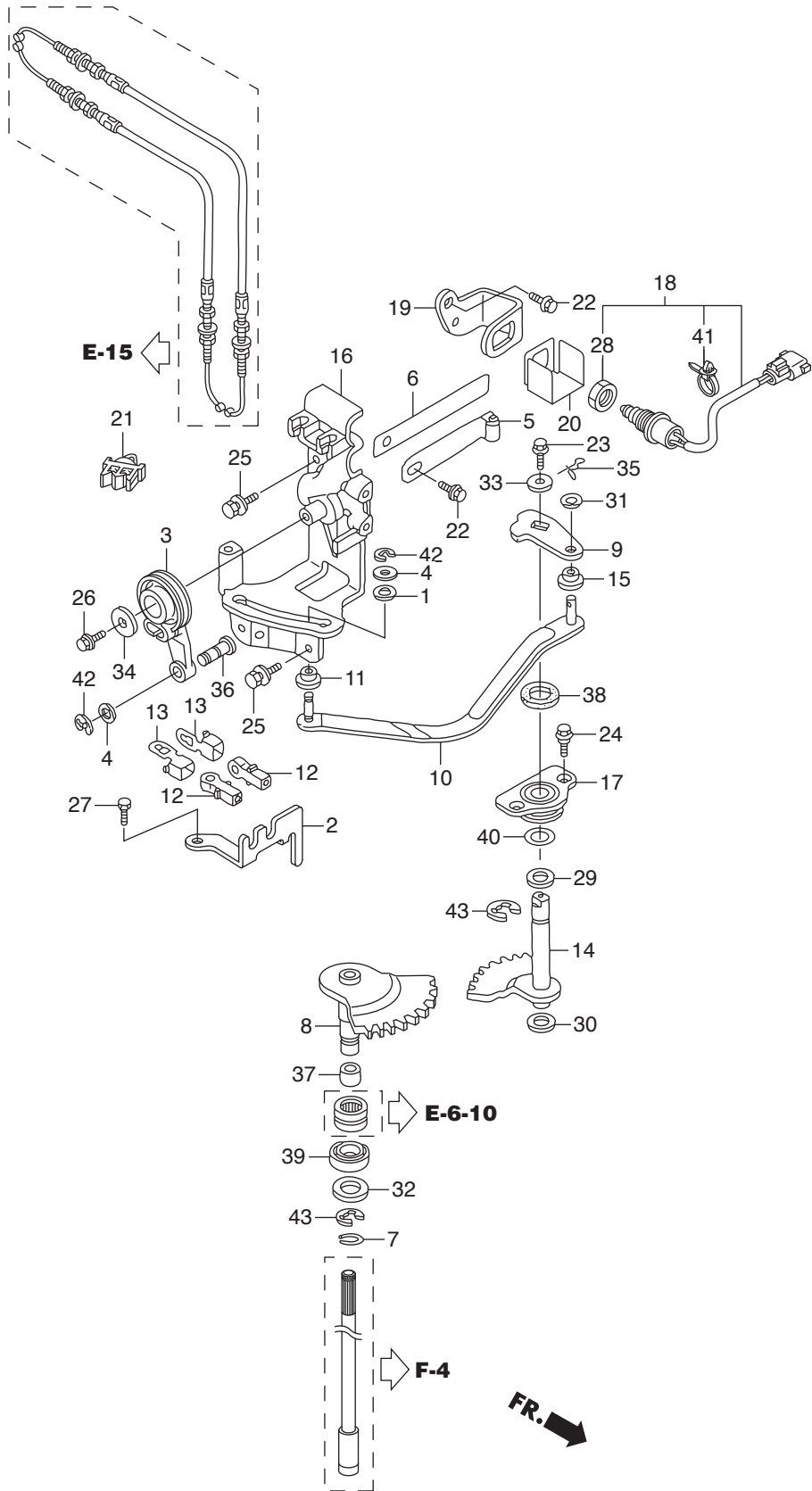
FR.

| Ref.No. | Part No. | Description | Q' ty | Remarks | |
|---------|----------|----------------|---------------------------|---------|------------------------|
| | | | BFT250A | | |
| E-21 | 1 | HZY3-31200-003 | MOTOR ASSY., STARTER | 1 | |
| E-21 | 2 | HP5A-31201-005 | ROTOR COMP. | 1 | |
| E-21 | 3 | HZY3-31207-003 | CLUTCH COMP., OVERRUNNING | 1 | #~1003981 #~6000088 |
| E-21 | | HZY9-31207-H01 | CLUTCH COMP., OVERRUNNING | 1 | #1003982~ #6000089~ |
| E-21 | 4 | HPY3-31215-004 | GEAR ASSY., PLANETARY | 3 | |
| E-21 | 5 | HZY3-31216-003 | YOKE COMP. | 1 | |
| E-21 | 6 | HPY3-31218-004 | BALL, STEEL | 1 | |
| E-21 | 7 | HZW1-31226-004 | BRUSH SET | 1 | #~1003981 #~6000088 |
| E-21 | | HZY3-31226-003 | BRUSH SET | 1 | #1003982~ #6000089~ |
| E-21 | 8 | HZW1-31229-004 | STOPPER SET, SLEEVE | 1 | #~1003981 #~6000088 |
| E-21 | | HZY9-31229-H01 | STOPPER SET, SLEEVE | 1 | #1003982~ #6000089~ |
| E-21 | 9 | HZW1-31231-004 | HOLDER COMP., BRUSH | 1 | #~1003981 #~6000088 |
| E-21 | | HZY3-31232-003 | HOLDER COMP., BRUSH | 1 | #1003982~ #6000089~ |
| E-21 | 10 | HZY3-31235-003 | BRACKET, FR. | 1 | |
| E-21 | 11 | HZY3-31236-003 | BRACKET, RR. | 1 | |
| E-21 | 12 | HZY3-31240-003 | SWITCH ASSY., MAGNET | 1 | #~1003981 #~6000088 |
| E-21 | | HZY3-31241-003 | SWITCH ASSY., MAGNET | 1 | #1003982~ #6000089~ |
| E-21 | 13 | HZY3-31242-003 | SHAFT ASSY., CLUTCH | 1 | #~1003981 #~6000081 |
| E-21 | | HZY3-31243-003 | SHAFT ASSY., CLUTCH | 1 | #1003982~ #6000089~ |
| E-21 | 14 | HP5A-31243-005 | BOLT A, THROUGH | 2 | |
| E-21 | 15 | HZY3-31246-003 | SHAFT ASSY., GEAR | 1 | #~1003981 #~6000088 |
| E-21 | | HZY9-31246-H01 | SHAFT ASSY., GEAR | 1 | #1003982~ #6000089~ |
| E-21 | 16 | HZY3-31247-003 | GEAR ASSY., INTERNAL | 1 | #~1003981 #~6000088 |
| E-21 | 17 | HZY3-31249-003 | PACKING | 1 | #~1003981 #~6000088 |
| E-21 | 18 | HZY3-31250-003 | LEVER SET | 1 | |
| E-21 | 19 | HZY3-90002-000 | BOLT, FLANGE, 10X90 | 1 | |
| E-21 | 20 | HZY3-90003-000 | BOLT, FLANGE, 10X110 | 1 | |
| E-21 | 21 | HZW1-90106-004 | SCREW, PAN, 6X22(SPECIAL) | 2 | #~1003981 #~6000088 |
| E-21 | | HZY9-31226-H01 | SCREW, PAN, 6X22 | 2 | #1003982~ #6000089~ |

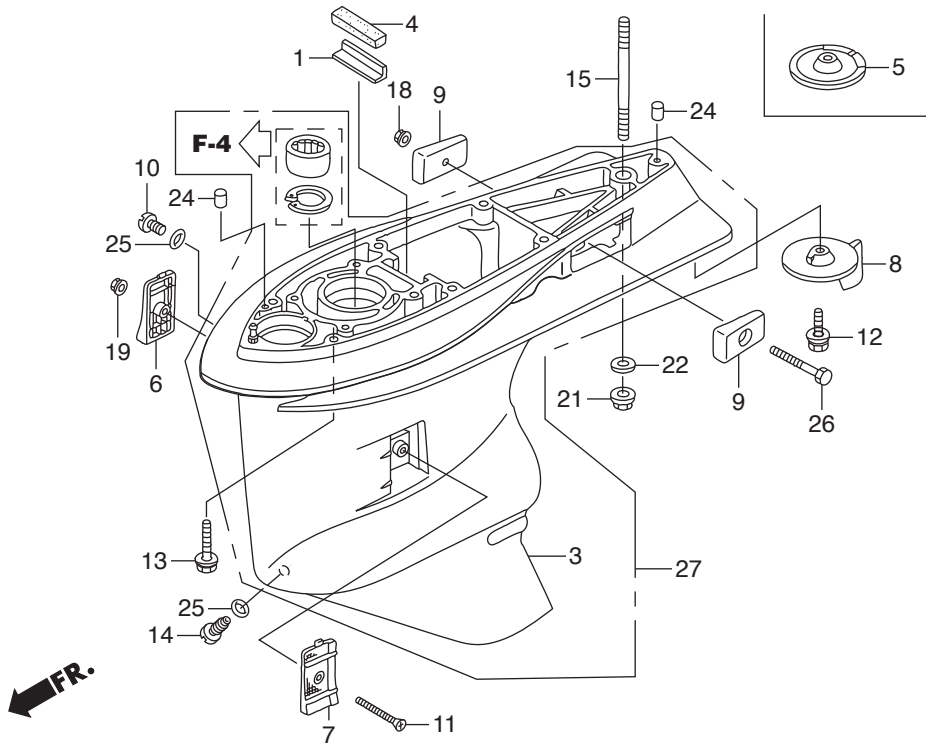




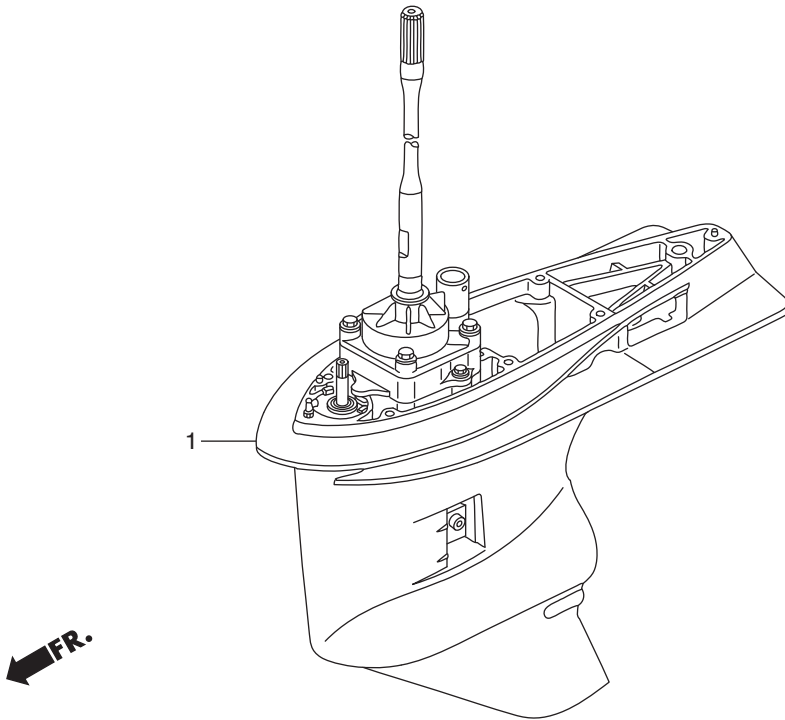
| Ref.No. | Part No. | Description | Q' ty | Remarks | |
|---------|----------|----------------|-----------------------------|---------|---------|
| | | | BFT250A | | |
| F-2 | 1 | HKN5-17224-670 | WASHER, AIR CLEANER COVER | 1 | SETTING |
| F-2 | 2 | HZY3-17877-000 | PLATE, REMOTE CONTROL CABLE | 1 | |
| F-2 | 3 | HZY3-17931-000 | ARM, THROTTLE | 1 | |
| F-2 | 4 | H921-17936-000 | WASHER, PIVOT | 2 | |
| F-2 | 5 | HZW1-24210-010 | SPRING COMP., CLICK | 1 | |
| F-2 | 6 | HZY3-24221-000 | SPRING, CLICK ASSIST | 1 | |
| F-2 | 7 | HZW1-24327-000 | RING, STOPPER | 1 | |
| F-2 | 8 | HZY3-24610-A00 | SHAFT COMP., SHIFT(A) | 1 | |
| F-2 | 9 | HZY3-24612-010 | ARM, SHIFT | 1 | |
| F-2 | 10 | HZY3-24613-000 | ROD, LINK | 1 | |
| F-2 | 11 | HZY3-24617-000 | COLLAR, SHIFT SLIDER | 1 | |
| F-2 | 12 | HZY3-24618-000 | PIVOT, SHIFT | 2 | |
| F-2 | 13 | HZY3-24619-000 | PLATE, LOCK | 2 | |
| F-2 | 14 | HZY3-24620-000 | SHAFT COMP., SHIFT(B) | 1 | |
| F-2 | 15 | HZY3-24623-000 | BUSH, SHIFT ARM | 1 | |
| F-2 | 16 | HZY3-24628-000 | BRACKET, SHIFT LINK | 1 | |
| F-2 | 17 | HZW1-24629-000 | HOLDER, SEAL | 1 | |
| F-2 | 18 | HZX2-35470-013 | SWITCH ASSY., NEUTRAL | 1 | |
| F-2 | 19 | HZY3-35476-010 | BRACKET, NEUTRAL SWITCH | 1 | |
| F-2 | 20 | HZY3-35477-000 | COVER, NEUTRAL SWITCH | 1 | |
| F-2 | 21 | HS0X-46392-A01 | CLIP, BRAKE PIPE | 1 | |
| F-2 | 22 | HZW9-90011-000 | BOLT, FLANGE, 6X14(CT200) | 2 | |
| F-2 | 23 | HZY3-90017-000 | BOLT, FLANGE, 6X16 | 1 | |
| F-2 | 24 | HZW5-90023-000 | BOLT, FLANGE, 6X11 | 2 | |
| F-2 | 25 | HZX2-90101-C00 | BOLT-WASHER, 6X16 | 3 | |
| F-2 | 26 | HZW9-90102-000 | BOLT, FLANGE, 6X12 | 1 | |
| F-2 | 27 | HZV4-90127-000 | BOLT, HEX., 6X16 | 1 | |
| F-2 | 28 | HZV5-90302-003 | NUT, HEX., 20MM | 1 | |
| F-2 | 29 | HHA0-90402-000 | WASHER, THRUST, 14MM | 1 | |

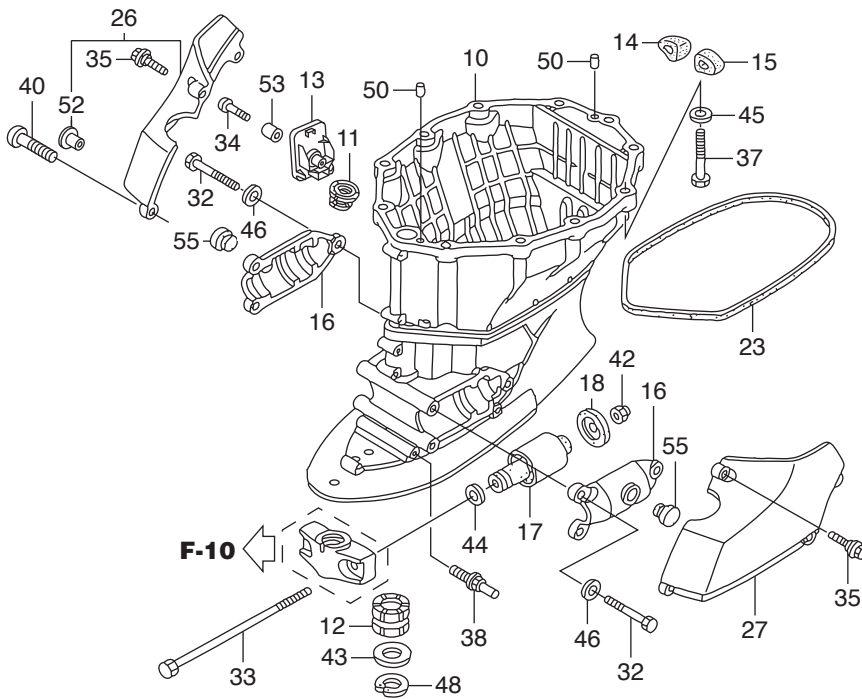
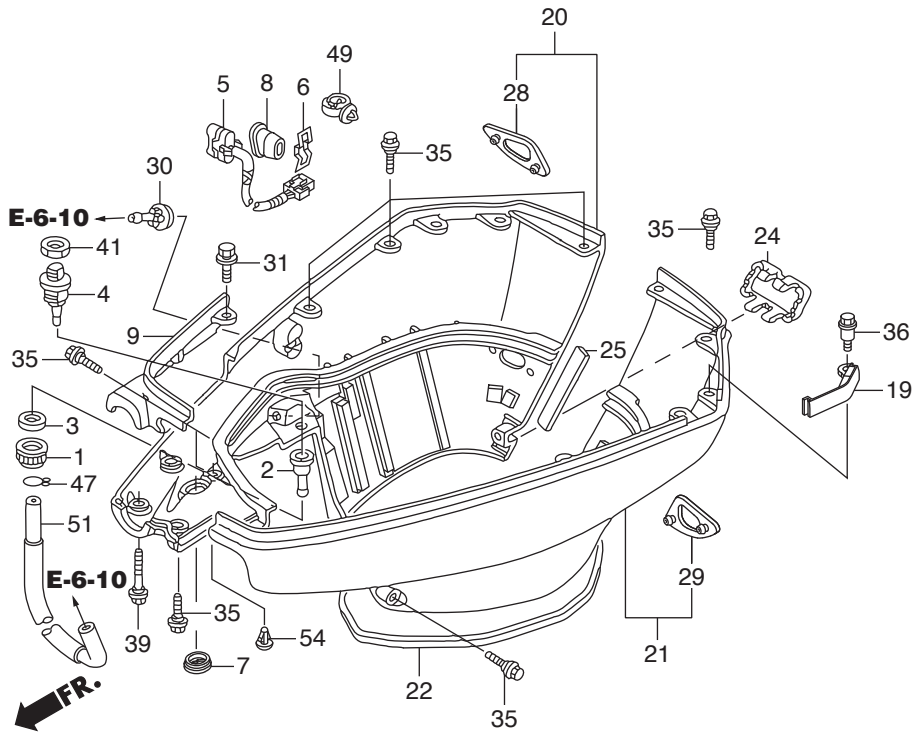


| Ref.No. | Part No. | Description | Q' ty | Remarks | |
|---------|----------|-----------------|---------------------------|---------|---------|
| | | | BFT250A | | |
| F-2 | 30 | H958-90428-000 | WASHER B, THRUST, 14MM | 1 | |
| F-2 | 31 | HZV4-90506-000 | WASHER, PLAIN, 6MM | 1 | |
| F-2 | 32 | HZV7-90508-000 | WASHER | 1 | |
| F-2 | 33 | HZY3-90508-000 | WASHER, PLAIN, 6MM | 1 | |
| F-2 | 34 | HZV4-90512-000 | WASHER, PLAIN, 6MM | 1 | |
| F-2 | 35 | HSD2-90705-931 | PIN, SNAP, 6MM | 1 | |
| F-2 | 36 | HZY3-90751-000 | PIN, LINK | 1 | |
| F-2 | 37 | HZY3-91152-003 | RING, INNER(15X20X23) | 1 | |
| F-2 | 38 | HZW5-91251-003 | OIL SEAL, 14X26X6 | 1 | |
| F-2 | 39 | HZY3-91255-003 | SEAL, WATER(14X26X8) | 1 | |
| F-2 | 40 | HPF0-91302-003 | O-RING, 26.9X2.4(NOK) | 1 | |
| F-2 | 41 | HS0A-91541-003 | CLIP, HARNESS BAND(BLACK) | 1 | (145MM) |
| F-2 | 42 | HCO-94540-04029 | E-RING, 4MM | 2 | |
| F-2 | 43 | HCO-94540-12029 | E-RING, 12MM | 2 | |
| | | | | | |
| | | | | | |
| | | | | | |
| | | | | | |
| | | | | | |
| | | | | | |
| | | | | | |
| | | | | | |
| | | | | | |
| | | | | | |
| | | | | | |
| | | | | | |
| | | | | | |
| | | | | | |
| | | | | | |
| | | | | | |
| | | | | | |
| | | | | | |
| | | | | | |
| | | | | | |
| | | | | | |
| | | | | | |
| | | | | | |
| | | | | | |
| | | | | | |

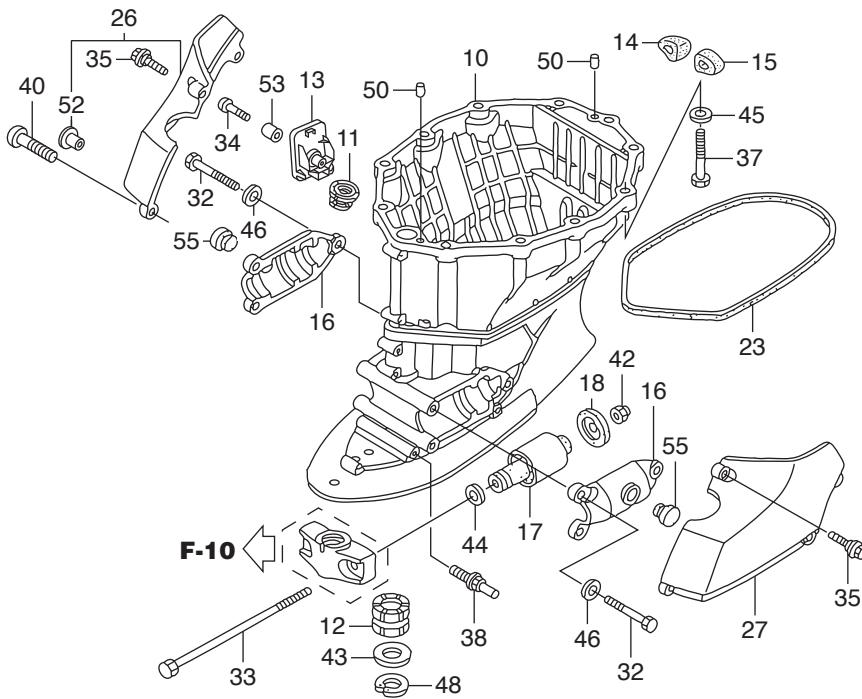
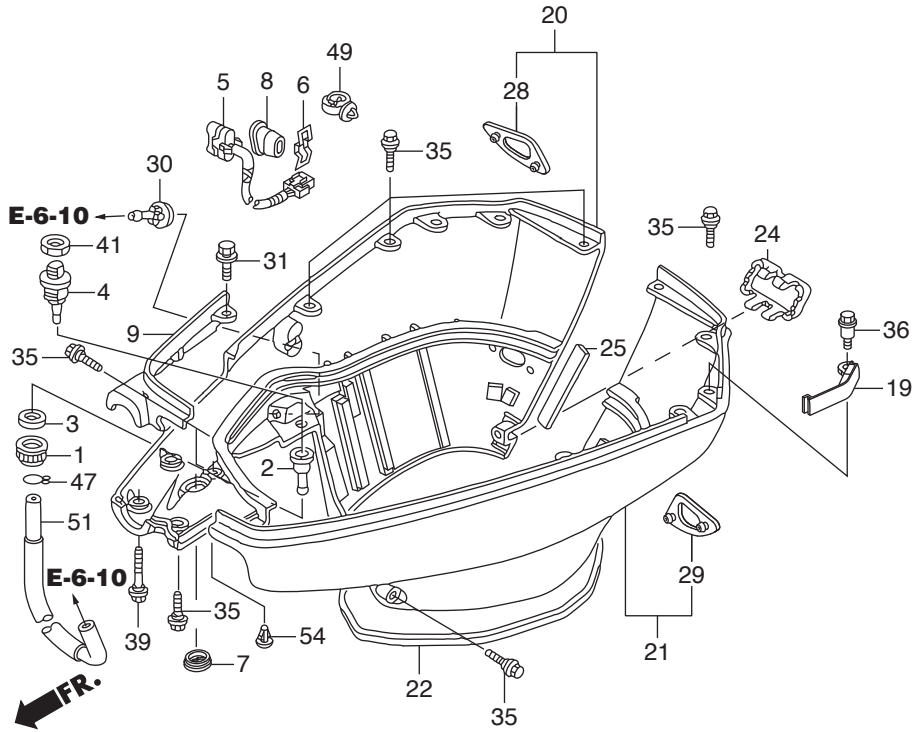


| Ref.No. | Part No. | Description | Q' ty | Remarks | |
|---------|----------|--------------------|-----------------------|---------|--------------------------|
| | | | BFT250A | | |
| F-3 | 1 | HZW1-19286-B00 | PLATE, RUBBER SETTING | 1 | |
| F-3 | 3 | HZX2-41101-C01ZC | CASE, GEAR | 1 | *T107* BAY BLUE |
| F-3 | 4 | HZW1-41102-B00 | GROMMET, GEAR CASE | 1 | |
| F-3 | 5 | HZX2-41102-E00ZC | COVER, GEAR CASE | 1 | *T107* BAY BLUE XCA |
| F-3 | 6 | HZY3-41104-C01 | SCREEN, R. WATER | 1 | |
| F-3 | 7 | HZY3-41105-C01 | SCREEN, L. WATER | 1 | |
| F-3 | 8 | HZX2-41107-C00ZC | TAB, TRIM | 1 | *T107* BAY BLUE LA,XA |
| F-3 | 9 | HZW1-41109-B00 | METAL COMP., ANODE | 2 | |
| F-3 | 10 | HZW9-90101-003 | BOLT, OIL CHECK | 1 | |
| F-3 | 11 | HZZ0-90101-000 | SCREW, FLAT, 5X55 | 1 | |
| F-3 | 12 | HZY6-90103-000 | BOLT-WASHER, 10X32 | 1 | |
| F-3 | 13 | HZX2-90107-C00 | BOLT-WASHER, 10X47 | 6 | |
| F-3 | 14 | HZY3-90120-000 | BOLT, DRAIN PLUG | 1 | |
| F-3 | 15 | HZY3-90124-000 | BOLT, STUD, 12X40 | 1 | |
| F-3 | 18 | HZY1-90205-000 | NUT, SELF-LOCK, 6MM | 1 | |
| F-3 | 19 | HZV4-90302-000 | NUT, SELF-LOCK, 5MM | 1 | |
| F-3 | 21 | HZW1-90308-003 | NUT, SELF-LOCK, 12MM | 1 | |
| F-3 | 22 | HZV5-90559-000 | WASHER, PLAIN, 12MM | 1 | |
| F-3 | 24 | HZV5-90756-000 | DOWEL PIN, 6X10 | 2 | |
| F-3 | 25 | HZW4-91301-003 | O-RING, 6.9X1.45 | 2 | |
| F-3 | 26 | HCO-92101-06055-4J | BOLT, HEX., 6X55 | 1 | |
| F-3 | 27 | HZX2-41110-305ZB | CASE COMP., GEAR | 1 | *T107* BAY BLUE |
| | | | | | |
| | | | | | |
| | | | | | |
| | | | | | |
| | | | | | |
| | | | | | |
| | | | | | |
| | | | | | |
| | | | | | |
| | | | | | |

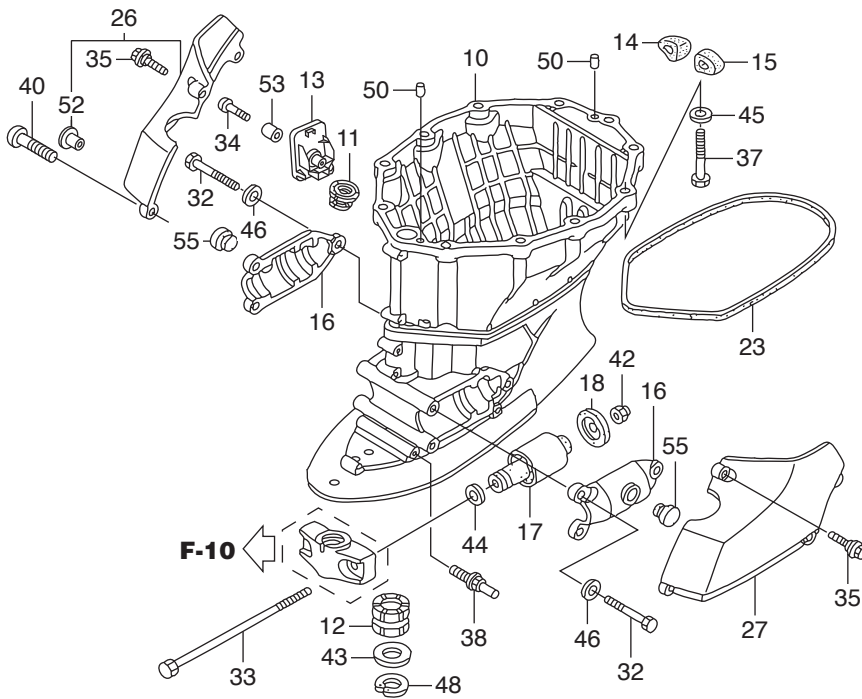
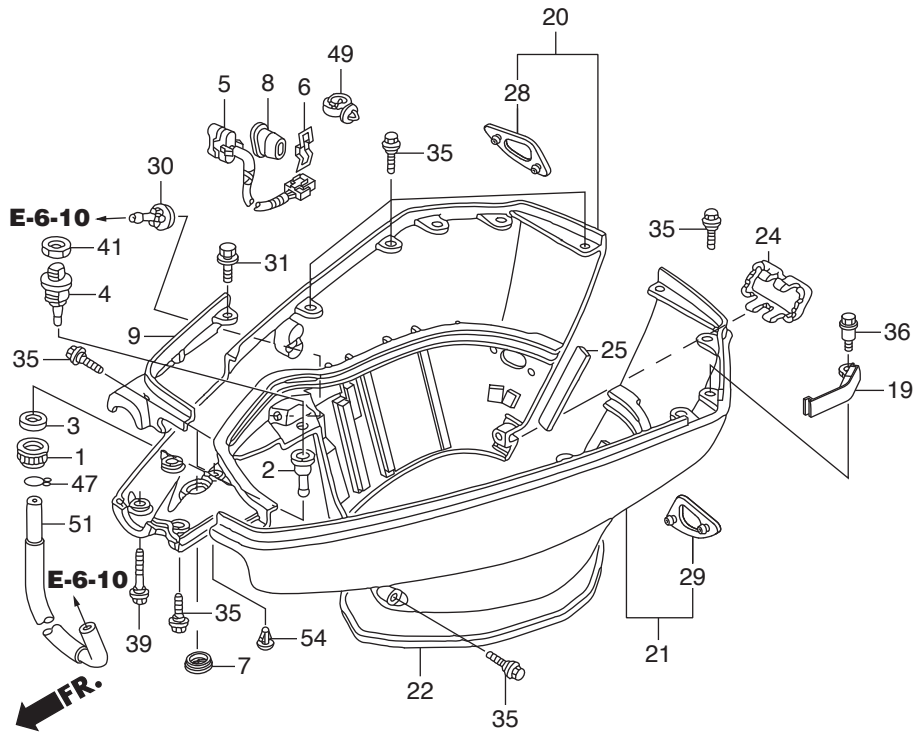


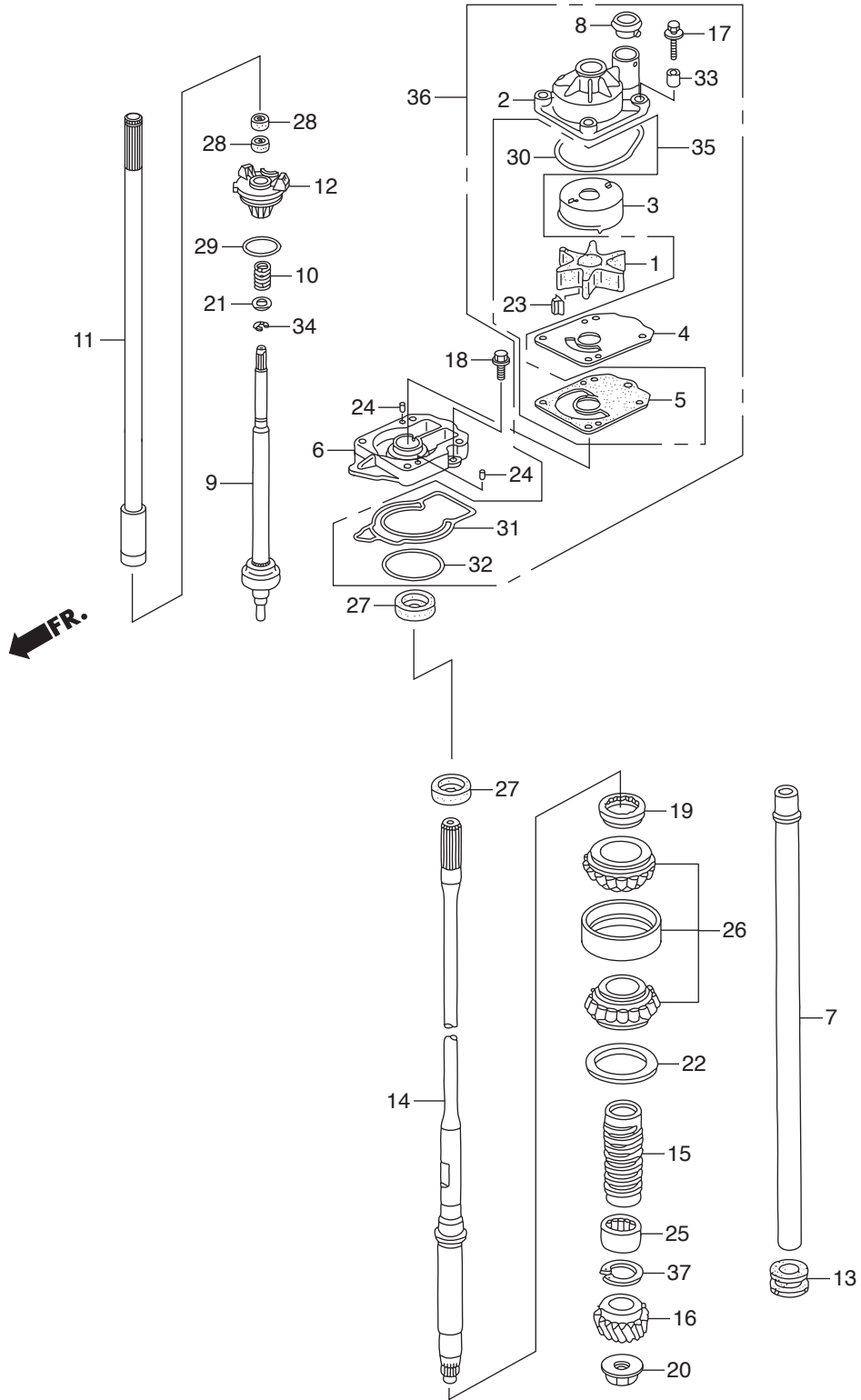


| Ref.No. | Part No. | Description | Q' ty | Remarks | |
|---------|----------|------------------|------------------------------|---------|---------------------------|
| | | | BFT250A | | |
| F-3-20 | 1 | HZY3-19270-000 | NUT, WATER MOUTH | 1 | |
| F-3-20 | 2 | HZY3-19271-000 | JOINT, WATER HOSE | 1 | |
| F-3-20 | 3 | HZY3-19272-000 | SEAT, WATER MOUTH | 1 | |
| F-3-20 | 4 | HZY3-19289-000 | CAP, WATER JOINT | 1 | |
| F-3-20 | 5 | HZY3-35640-013 | SWITCH ASSY., POWER TILT | 1 | |
| F-3-20 | 6 | HZY3-35645-000 | STAY, POWER TILT SWITCH | 1 | |
| F-3-20 | 7 | HZV5-40107-000 | GROMMET, UNDER CASE(C) | 1 | |
| F-3-20 | 8 | HZY3-40114-010 | GROMMET, POWER TILT SWITCH | 1 | |
| F-3-20 | 9 | HZY3-40151-000ZC | COVER, FR. SEPARATE | 1 | *T107* BAY BLUE |
| F-3-20 | 10 | HZY3-40201-020ZC | CASE, EXTENSION | 1 | *T107* BAY BLUE LA |
| F-3-20 | | HZY3-40201-612ZC | CASE, EXTENSION | 1 | *T107* BAY BLUE XA,XCA |
| F-3-20 | 11 | HZW1-40209-000 | RUBBER, DRAIN PLUG | 1 | |
| F-3-20 | 12 | HZY3-40210-610 | BUSH COMP., VERTICAL SHAFT | 1 | XA,XCA |
| F-3-20 | 13 | HZY3-40212-010ZC | COVER, DRAIN PLUG(L) | 1 | *T107* BAY BLUE LA |
| F-3-20 | | HZY3-40212-611ZC | COVER, DRAIN PLUG(XL) | 1 | *T107* BAY BLUE XA,XCA |
| F-3-20 | 14 | HZY3-40225-010 | SEAL, R. IDOL PORT | 1 | |
| F-3-20 | 15 | HZY3-40226-010 | SEAL, L. IDOL PORT | 1 | |
| F-3-20 | 16 | HZY3-50111-020 | HOUSING, LOWER MOUNTING | 2 | |
| F-3-20 | 17 | HZY3-50155-000 | MOUNT COMP., LOWER RUBBER | 2 | |
| F-3-20 | 18 | HZY3-50157-010 | STOPPER, LOWER MOUNT | 2 | |
| F-3-20 | 19 | HZY3-63347-C00 | COVER, PLUG MAINTENANCE | 1 | |
| F-3-20 | 20 | HZX2-63710-C00ZB | COVER COMP., R. UNDER ENGINE | 1 | *T107* BAY BLUE |
| F-3-20 | 21 | HZX2-63715-C00ZB | COVER COMP., L. UNDER ENGINE | 1 | *T107* BAY BLUE |
| F-3-20 | 22 | HZY3-63718-000 | SEAL A, COVER UNDER | 1 | |
| F-3-20 | 23 | HZX2-63719-C00 | SEAL B, COVER UNDER | 1 | |
| F-3-20 | 24 | HZY3-63722-010ZC | CAP, UNDER COVER | 1 | *T107* BAY BLUE |
| F-3-20 | 25 | HZY3-63728-000 | SEAL C, UNDER COVER | 1 | |
| F-3-20 | 26 | HZY3-63731-A03ZC | COVER, R. LOWER MOUNTING | 1 | *T107* BAY BLUE LA |
| F-3-20 | | HZY3-63731-A12ZC | COVER, R. LOWER MOUNTING | 1 | *T107* BAY BLUE XA,XCA |

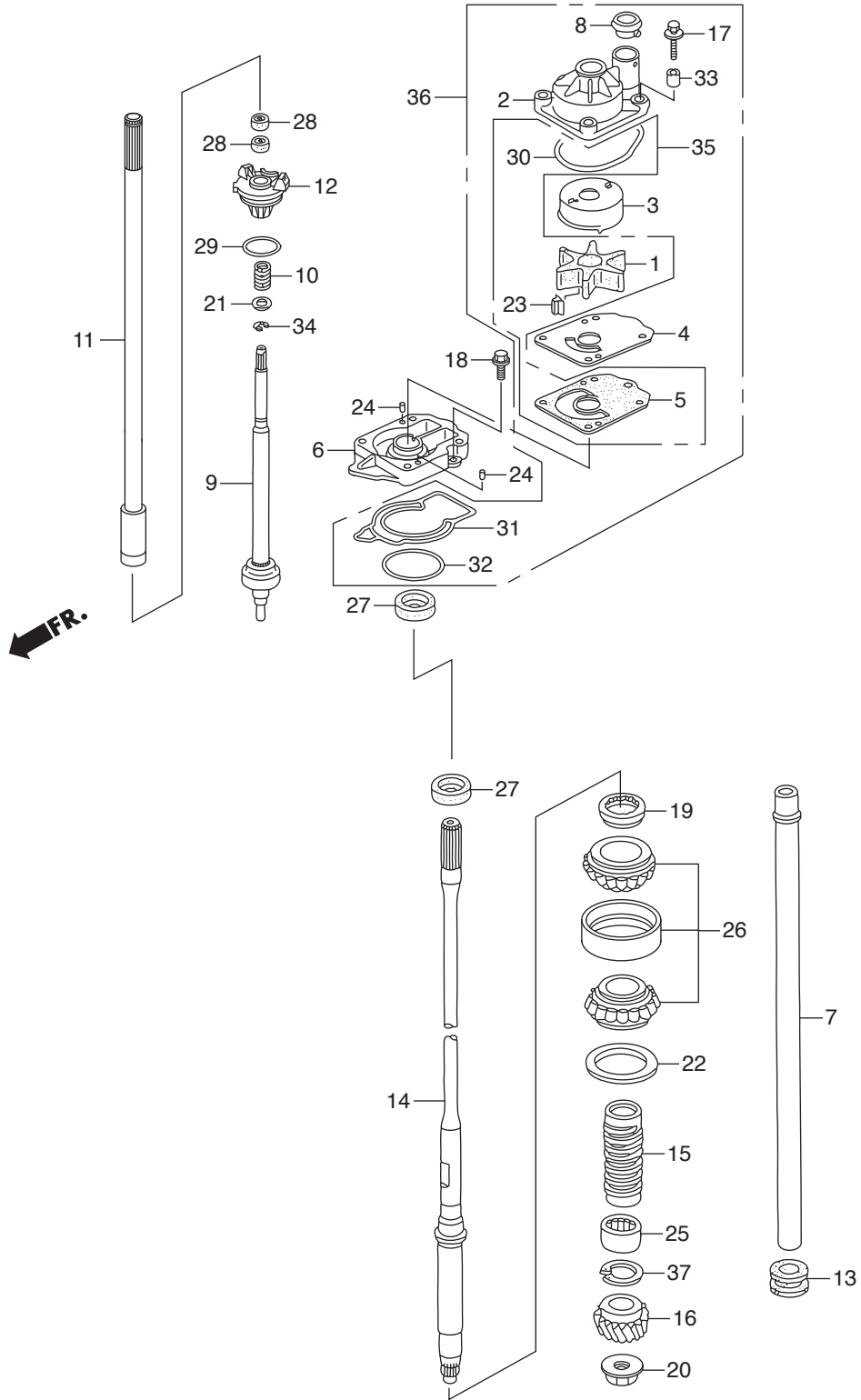


| Ref.No. | Part No. | Description | Q' ty | Remarks | |
|---------|----------|--------------------|---------------------------|---------|---------------------------|
| | | | BFT250A | | |
| F-3-20 | 27 | HZY3-63736-A03ZC | COVER, L. LOWER MOUNTING | 1 | *T107* BAY BLUE LA |
| F-3-20 | | HZY3-63736-A12ZC | COVER, R. LOWER MOUNTING | 1 | *T107* BAY BLUE XA,XCA |
| F-3-20 | 28 | HZY3-63751-C00 | GROMMET, R. IDLE PORT | 1 | |
| F-3-20 | 29 | HZY3-63756-C00 | GROMMET, L. IDLE PORT | 1 | |
| F-3-20 | 30 | HZV5-82873-003 | GROMMET, WATER CHECK | 1 | |
| F-3-20 | 31 | HZX2-90102-C00 | BOLT-WASHER, 6X25 | 2 | |
| F-3-20 | 32 | HZY3-90102-A00 | BOLT, HEX., 10X35 | 6 | |
| F-3-20 | 33 | HZY3-90105-010 | BOLT, HEX., 14X180 | 2 | |
| F-3-20 | 34 | HZV5-90110-000 | SCREW, SPECIAL, 6X35 | 1 | |
| F-3-20 | 35 | HZY3-90111-000 | BOLT, SPECIAL, 6X17 | 26 | |
| F-3-20 | 36 | HZY3-90113-C00 | BOLT, SPECIAL, 6X22 | 1 | |
| F-3-20 | 37 | HZY3-90122-000 | BOLT, HEX., 12X50 | 11 | |
| F-3-20 | 38 | HZY3-90129-A00 | BOLT, SPECIAL, 6X12 | 2 | |
| F-3-20 | 39 | HZY3-90132-000 | BOLT, SPECIAL, 6X37 | 2 | |
| F-3-20 | 40 | HZY3-90134-000 | SCREW-WASHER, 6X40 | 1 | LA |
| F-3-20 | | HCO-93500-06025-4J | SCREW, PAN, 6X25 | 1 | XA,XCA |
| F-3-20 | 41 | H921-90302-000 | NUT, HEX., 16MM | 1 | |
| F-3-20 | 42 | HZY3-90302-000 | NUT, SELF-LOCK, 14MM | 2 | |
| F-3-20 | 43 | HZY3-90503-610 | WASHER, 30MM | 1 | XA,XCA |
| F-3-20 | 44 | HZY3-90511-000 | WASHER, PLAIN, 14MM | 2 | |
| F-3-20 | 45 | HZV5-90559-000 | WASHER, PLAIN, 12MM | 11 | |
| F-3-20 | 46 | HZV5-90563-000 | WASHER, PLAIN, 10MM | 6 | |
| F-3-20 | 47 | HZV4-90605-000 | CLIP, TUBE(B12.5) | 1 | |
| F-3-20 | 48 | HZY3-90652-000 | CIRCLIP, INTERNAL, 43 | 1 | XA,XCA |
| F-3-20 | 49 | HSA0-90683-003 | CLIP, WIRE HARNESS, 25MM | 1 | |
| F-3-20 | 50 | HZV5-90756-000 | DOWEL PIN, 6X10 | 2 | |
| F-3-20 | 51 | HZY3-91451-000 | TUBE, WATER JOINT | 1 | |
| F-3-20 | 52 | HZY3-91552-000 | COLLAR, 6.2X10X25.5 | 1 | LA |
| F-3-20 | | HZY6-91553-000 | COLLAR, DISTANCE, 6.5X9X5 | 1 | XA,XCA |

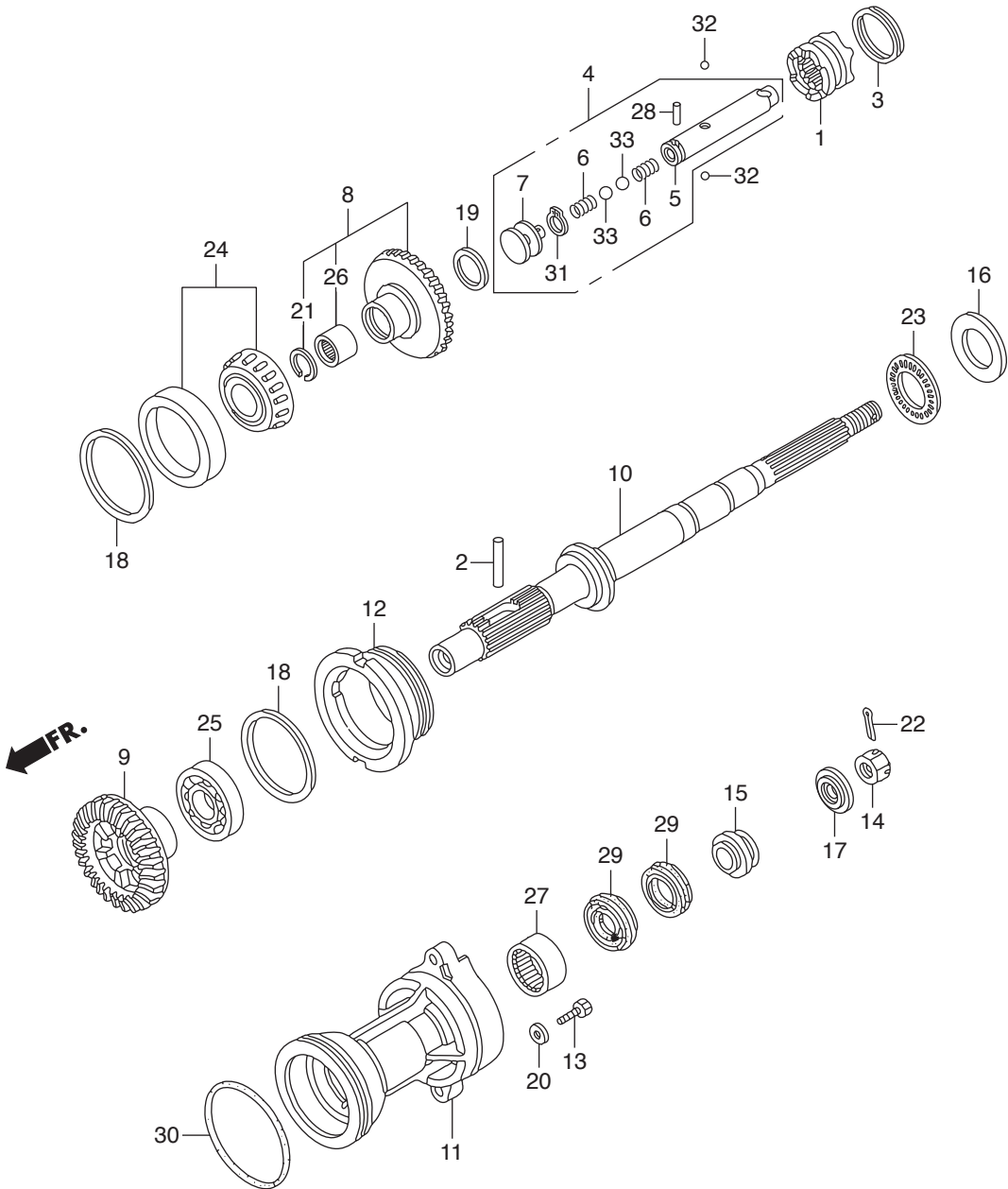




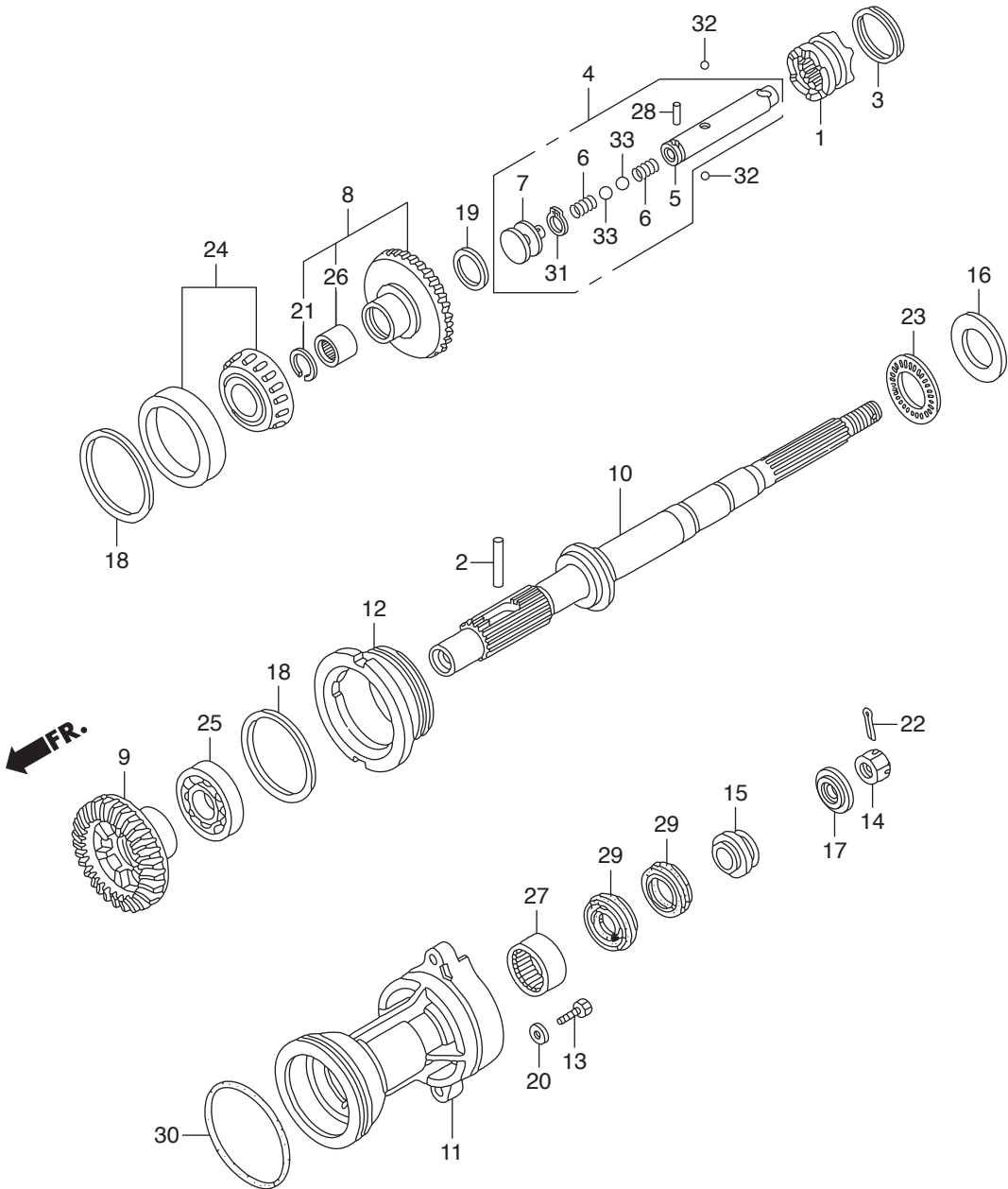
| Ref.No. | Part No. | Description | Q' ty | Remarks | |
|---------|----------|----------------|--------------------------------|---------|---------------------------|
| | | | BFT250A | | |
| F-4 | 1 | HZY3-19210-003 | IMPELLER, PUMP | 1 | |
| F-4 | 2 | HZY3-19221-010 | HOUSING, IMPELLER | 1 | |
| F-4 | 3 | HZY3-19223-000 | LINER, PUMP | 1 | |
| F-4 | 4 | HZY3-19231-000 | COVER, IMPELLER | 1 | |
| F-4 | 5 | HZX2-19234-C00 | GASKET B, IMPELLER | 1 | |
| F-4 | 6 | HZX2-19241-C00 | HOUSING, WATER PUMP | 1 | |
| F-4 | 7 | HZY3-19251-000 | TUBE, WATER(L) | 1 | LA |
| F-4 | | HZY3-19251-611 | TUBE, WATER(XL) | 1 | XA,XCA |
| F-4 | 8 | HZY3-19253-000 | RING, WATER TUBE SEAL | 1 | |
| F-4 | 9 | HZY3-24310-C00 | ROD COMP., SHIFT | 1 | LA,XA |
| F-4 | | HZY3-24310-E00 | ROD COMP., SHIFT | 1 | (COUNTER ROTATION) XCA |
| F-4 | 10 | HZY3-24318-000 | SPRING, SHIFT ROD | 1 | |
| F-4 | 11 | HZY6-24320-000 | ROD COMP. A, SHIFT(L) | 1 | LA |
| F-4 | | HZY6-24320-610 | ROD COMP. A, SHIFT(XL) | 1 | XA,XCA |
| F-4 | 12 | HZW1-24343-B02 | HOLDER, SHIFT ROD | 1 | |
| F-4 | 13 | HZY3-40204-000 | GROMMET, EXTENSION CASE | 1 | |
| F-4 | 14 | HZX2-41112-C00 | SHAFT, VERTICAL(L) | 1 | LA |
| F-4 | | HZX2-41112-C10 | SHAFT, VERTICAL(XL) | 1 | XA,XCA |
| F-4 | 15 | HZY3-41116-000 | SLINGER, OIL | 1 | |
| F-4 | 16 | HZX2-41131-C00 | GEAR, PINION | 1 | LA,XA |
| F-4 | | HZX2-41131-E00 | GEAR, PINION(COUNTER ROTATION) | 1 | XCA |
| F-4 | 17 | HZX2-90105-C00 | BOLT, WASHER, 8X60 | 4 | |
| F-4 | 18 | HHW1-90215-671 | BOLT, FLANGE, 6X16 | 1 | |
| F-4 | 19 | HZX2-90301-C00 | NUT, LOCK, 68MM | 1 | |
| F-4 | 20 | HZX2-90303-C00 | NUT, HEX., 18MM | 1 | |
| F-4 | 21 | H723-90472-000 | WASHER, PLAIN, 12MM | 1 | |
| F-4 | 22 | HZX2-90518-C00 | SHIM A, GEAR(0.10) | 1 | |
| F-4 | | HZX2-90519-C00 | SHIM B, GEAR(0.15) | 1 | |
| F-4 | | HZX2-90520-C00 | SHIM C, GEAR(0.30) | 1 | |



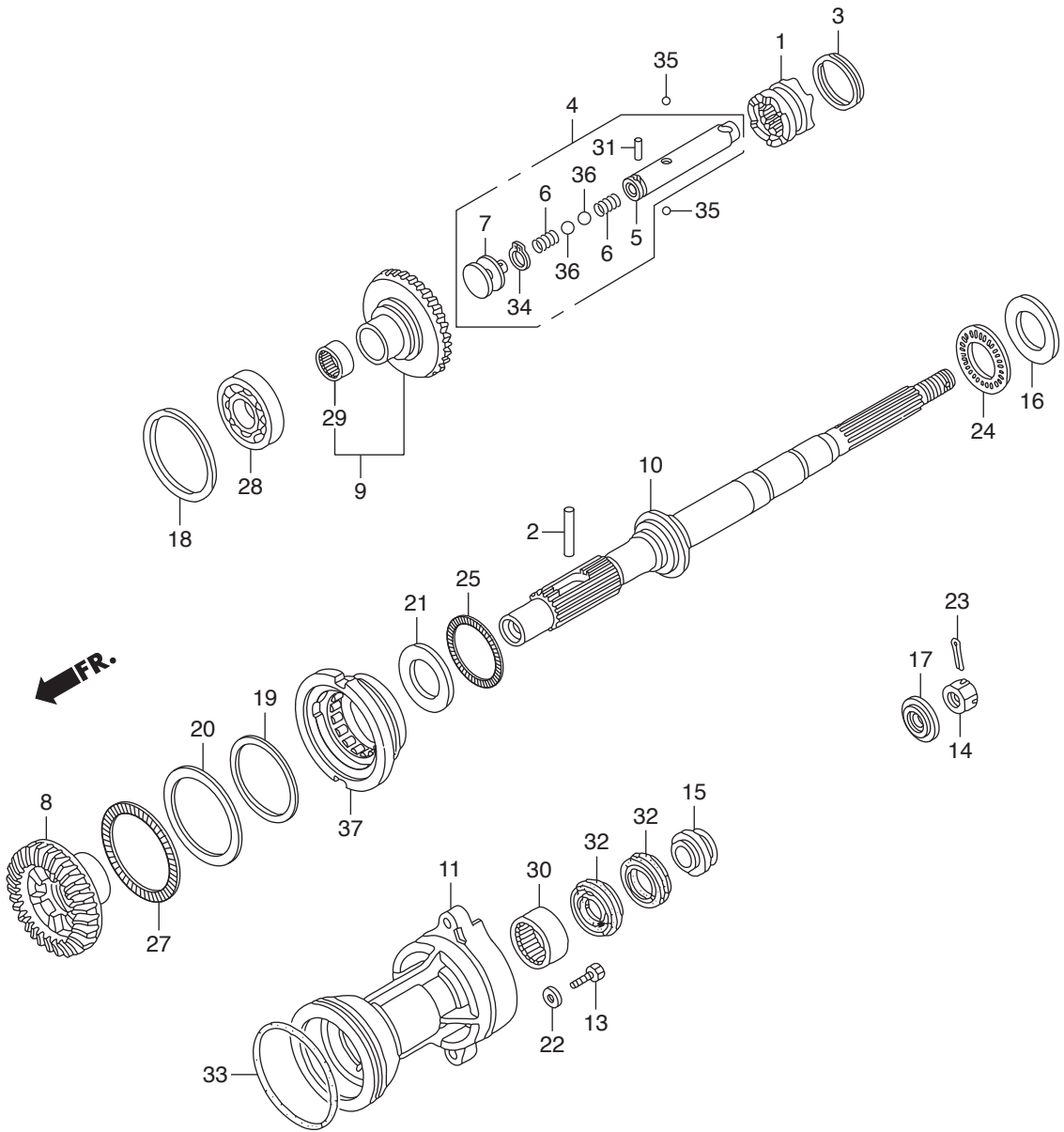
| Ref.No. | Part No. | Description | Q' ty | Remarks | |
|---------|----------|-----------------|-----------------------------|---------|----------|
| | | | BFT250A | | |
| F-4 | | HZX2-90521-C00 | SHIM D, GEAR(0.50) | 1 | |
| F-4 | 23 | HZY3-90752-003 | KEY, WOODRUFF | 1 | |
| F-4 | 24 | HZV5-90756-000 | DOWEL PIN, 6X10 | 2 | |
| F-4 | 25 | HZX2-91053-C01 | BEARING, NEEDLE, 30.5X47X37 | 1 | |
| F-4 | 26 | HZX2-91056-C01 | BEARING, TAPER ROLLER, | 1 | 32X66X49 |
| F-4 | 27 | HZY3-91251-C01 | SEAL, WATER, 26X42X7 | 2 | |
| F-4 | 28 | HZY3-91254-003 | SEAL, WATER, 12X21X6 | 2 | |
| F-4 | 29 | HMJ0-91308-003 | O-RING | 1 | |
| F-4 | 30 | HZY3-91356-003 | O-RING, WATER PUMP | 1 | |
| F-4 | 31 | HZX2-91358-C00 | O-RING, WATER PUMP HOUSING | 1 | |
| F-4 | 32 | HZX2-91359-C00 | O-RING, 65.4X2.4 | 1 | |
| F-4 | 33 | HZY3-91551-000 | COLLAR, DISTANCE | 4 | |
| F-4 | 34 | HCO-94540-10019 | E-RING, 10MM | 1 | |
| F-4 | 35 | HZX2-06192-C00 | PUMP KIT, IMPELLER | 1 | |
| F-4 | 36 | HZX2-06193-C00 | PUMP KIT, IMPELLER | 1 | |
| F-4 | 37 | HCO-94520-47000 | CIRCLIP, INTERNAL, 47MM | 1 | |
| | | | | | |
| | | | | | |
| | | | | | |
| | | | | | |
| | | | | | |
| | | | | | |
| | | | | | |
| | | | | | |
| | | | | | |
| | | | | | |
| | | | | | |
| | | | | | |
| | | | | | |
| | | | | | |
| | | | | | |
| | | | | | |
| | | | | | |



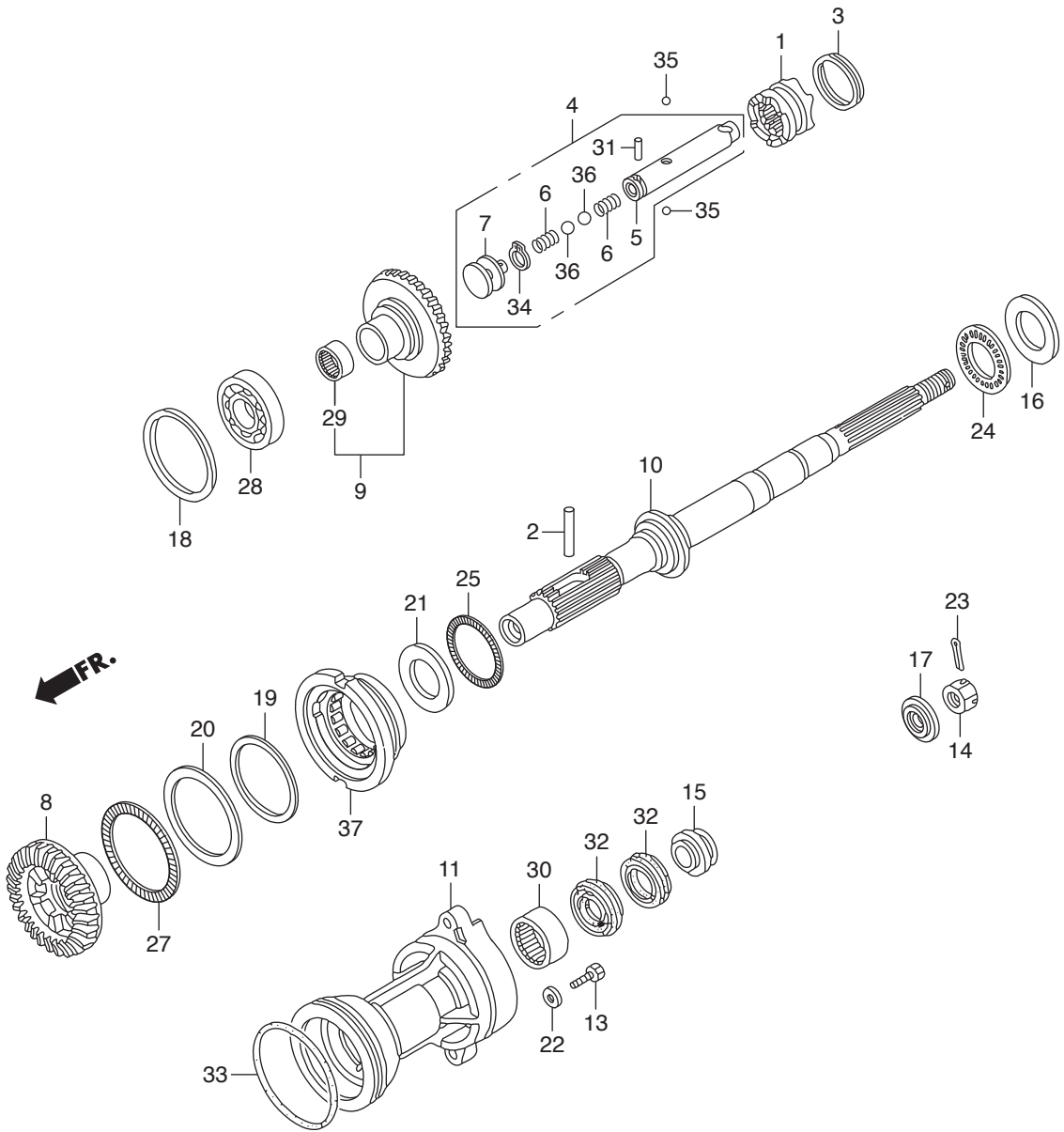
| Ref.No. | Part No. | Description | Q' ty | Remarks | |
|---------|----------|------------------|----------------------------|---------|--------------------------|
| | | | BFT250A | | |
| F-5 | 1 | HZX2-24101-C00 | SHIFTER, CLUTCH | 1 | LA,XA |
| F-5 | 2 | HZY3-24102-000 | PIN, SHIFTER, 8X50 | 1 | LA,XA |
| F-5 | 3 | HZY3-24103-000 | RING, CROSS PIN | 1 | LA,XA |
| F-5 | 4 | HZY3-24113-A01 | SLIDER COMP., SHIFT | 1 | LA,XA |
| F-5 | 5 | HZY3-24122-A01 | SLIDER, SHIFT | 1 | LA,XA |
| F-5 | 6 | HZY3-24123-000 | SPRING, SHIFT | 2 | LA,XA |
| F-5 | 7 | HZY3-24124-310 | PLATE, SHIFT | 1 | LA,XA |
| F-5 | 8 | HZX2-41140-C00 | GEAR COMP., BEVEL(FORWARD) | 1 | (24T) LA,XA |
| F-5 | 9 | HZX2-41151-C00 | GEAR, BEVEL(REVERSE)(24T) | 1 | LA,XA |
| F-5 | 10 | HZX2-41161-C00 | SHAFT, PROPELLER | 1 | LA,XA |
| F-5 | 11 | HZX2-41201-C00ZC | HOLDER, PROPELLER SHAFT | 1 | *T107* BAY BLUE LA,XA |
| F-5 | 12 | HZX2-41202-C00 | HOLDER, BEARING | 1 | LA,XA |
| F-5 | 13 | HZY3-90123-000 | BOLT, HEX., 12X45 | 2 | LA,XA |
| F-5 | 14 | HZW1-90301-B00 | NUT, CASTLE, 18MM | 1 | LA,XA |
| F-5 | 15 | HZY3-90506-000 | WASHER, PROPELLER THRUST | 1 | LA,XA |
| F-5 | 16 | HZW5-90509-711 | WASHER, THRUST BEARING | 1 | LA,XA |
| F-5 | 17 | HZY3-90512-000 | WASHER, PROPELLER | 1 | LA,XA |
| F-5 | 18 | HZX2-90528-C00 | SHIM A, BEVEL(0.10) | 2 | LA,XA |
| F-5 | | HZX2-90529-C00 | SHIM B, BEVEL(0.15) | 2 | LA,XA |
| F-5 | | HZX2-90530-C00 | SHIM C, BEVEL(0.30) | 2 | LA,XA |
| F-5 | | HZX2-90531-C00 | SHIM D, BEVEL(0.50) | 2 | LA,XA |
| F-5 | 19 | HZY3-90548-000 | SHIM A, THRUST(2.75) | 1 | LA,XA |
| F-5 | | HZY3-90549-000 | SHIM B, THRUST(2.80) | 1 | LA,XA |
| F-5 | | HZY3-90550-000 | SHIM C, THRUST(2.85) | 1 | LA,XA |
| F-5 | | HZY3-90551-000 | SHIM D, THRUST(2.90) | 1 | LA,XA |
| F-5 | | HZY3-90552-000 | SHIM E, THRUST(2.95) | 1 | LA,XA |
| F-5 | | HZY3-90553-000 | SHIM F, THRUST(3.00) | 1 | LA,XA |
| F-5 | | HZY3-90554-000 | SHIM G, THRUST(3.05) | 1 | LA,XA |
| F-5 | | HZY3-90555-000 | SHIM H, THRUST(3.10) | 1 | LA,XA |

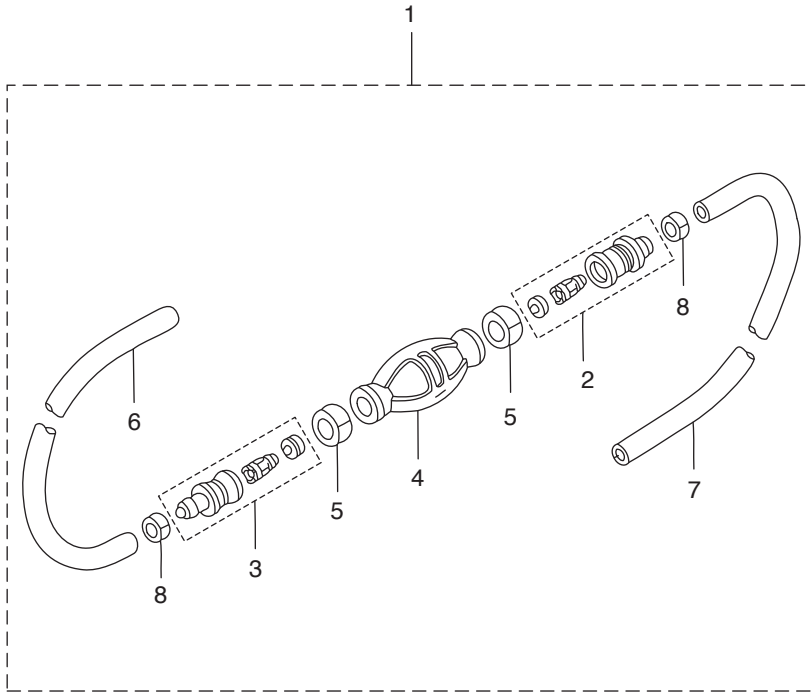


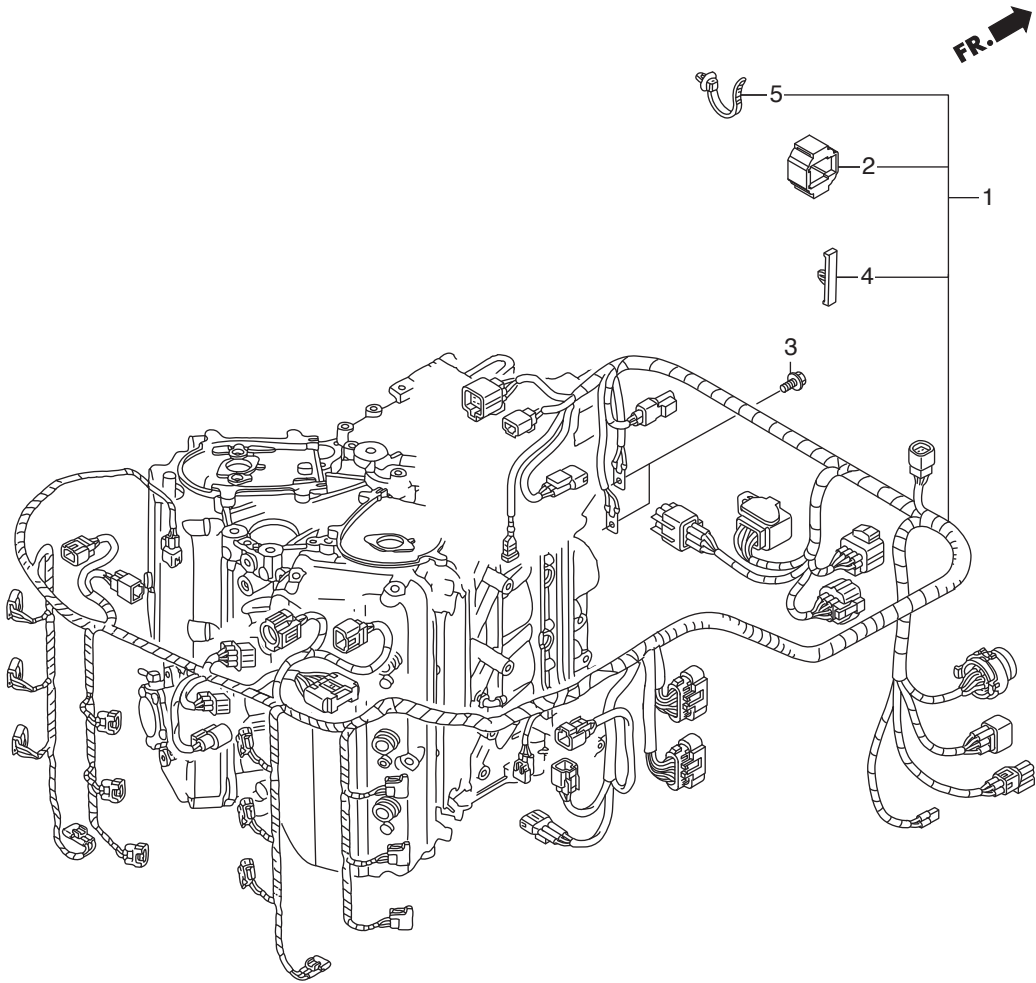
| Ref.No. | Part No. | Description | Q' ty | Remarks | |
|---------|----------|-----------------|---------------------------|---------|--------------------|
| | | | BFT250A | | |
| F-5 | | HZY3-90556-000 | SHIM I, THRUST(2.70) | 1 | LA,XA |
| F-5 | | HZY3-90557-000 | SHIM J, THRUST(2.65) | 1 | LA,XA |
| F-5 | | HZY3-90558-000 | SHIM K, THRUST(2.60) | 1 | LA,XA |
| F-5 | | HZY3-90559-000 | SHIM L, THRUST(2.55) | 1 | LA,XA |
| F-5 | | HZY3-90560-000 | SHIM M, THRUST(2.50) | 1 | LA,XA |
| F-5 | 20 | HZV5-90559-000 | WASHER, PLAIN, 12MM | 2 | LA,XA |
| F-5 | 21 | HZX2-90651-C00 | RING, SETTING(39) | 1 | LA,XA |
| F-5 | 22 | HZW1-90758-B00 | PIN, SPLIT, 4.0 | 1 | LA,XA |
| F-5 | 23 | HPT2-91005-N01 | BEARING, THRUST(F) | 1 | LA,XA |
| F-5 | 24 | HZX2-91051-C01 | BEARING, TAPER ROLLER, | 1 | 60X100X30 LA,XA |
| F-5 | 25 | HZX2-91055-C01 | BEARING, RADIAL BALL, | 1 | 55X100X21 LA,XA |
| F-5 | 26 | HZY3-91056-711 | BEARING, NEEDLE, 28X39X30 | 1 | LA,XA |
| F-5 | 27 | HZY3-91057-003 | BEARING, NEEDLE, 32X42X30 | 1 | LA,XA |
| F-5 | 28 | HZY3-91151-000 | ROLLER, 3X13.8 | 1 | LA,XA |
| F-5 | 29 | HZZ3-91252-003 | SEAL, WATER, 30X45X7 | 2 | LA,XA |
| F-5 | 30 | HZX2-91351-C00 | O-RING, 121X3.1 | 1 | LA,XA |
| F-5 | 31 | HCO-94510-15000 | CIRCLIP, EXTERNAL, 15MM | 1 | LA,XA |
| F-5 | 32 | HCO-96211-07000 | BALL, STEEL, #7(7/32) | 2 | LA,XA |
| F-5 | 33 | HCO-96211-12000 | BALL, STEEL, #12(3/8) | 2 | LA,XA |
| | | | | | |
| | | | | | |
| | | | | | |
| | | | | | |
| | | | | | |
| | | | | | |
| | | | | | |
| | | | | | |
| | | | | | |
| | | | | | |
| | | | | | |
| | | | | | |

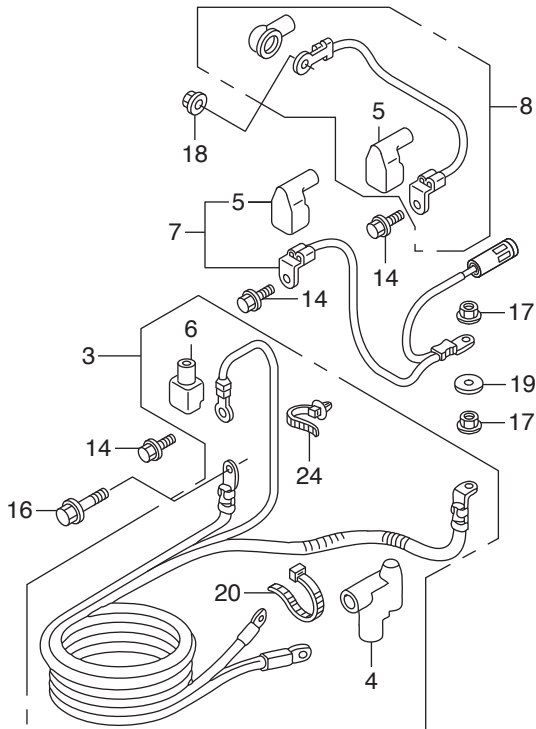
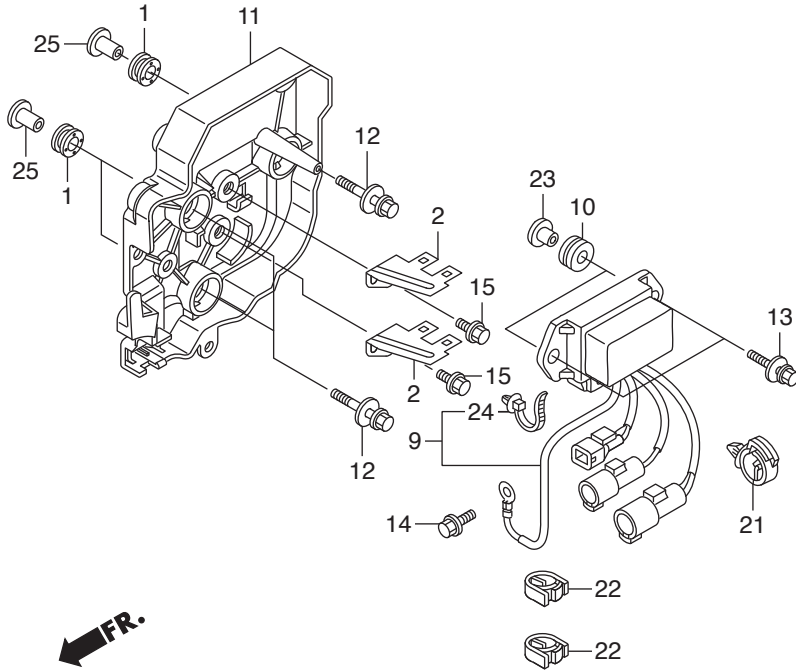


| Ref.No. | Part No. | Description | Q' ty | Remarks | |
|---------|----------|------------------|----------------------------|---------|--------------------------------|
| | | | BFT250A | | |
| F-5-1 | 1 | HZX2-24101-C00 | SHIFTER, CLUTCH | 1 | XCA |
| F-5-1 | 2 | HZY3-24102-000 | PIN, SHIFTER, 8X50 | 1 | XCA |
| F-5-1 | 3 | HZY3-24103-000 | RING, CROSS PIN | 1 | XCA |
| F-5-1 | 4 | HZY3-24113-A01 | SLIDER COMP., SHIFT | 1 | XCA |
| F-5-1 | 5 | HZY3-24122-A01 | SLIDER, SHIFT | 1 | XCA |
| F-5-1 | 6 | HZY3-24123-000 | SPRING, SHIFT | 2 | XCA |
| F-5-1 | 7 | HZY3-24124-310 | PLATE, SHIFT | 1 | XCA |
| F-5-1 | 8 | HZX2-41141-E00 | GEAR, BEVEL(FORWARD)(24T) | 1 | (COUNTER ROTATION) XCA |
| F-5-1 | 9 | HZX2-41150-E00 | GEAR COMP., BEVEL(REVERSE) | 1 | (24T)(COUNTER ROTATION) XCA |
| F-5-1 | 10 | HZX2-41161-E00 | SHAFT, PROPELLER | 1 | XCA |
| F-5-1 | 11 | HZX2-41201-C00ZC | HOLDER, PROPELLER SHAFT | 1 | *T107* BAY BLUE XCA |
| F-5-1 | 13 | HZY3-90123-000 | BOLT, HEX., 12X45 | 2 | XCA |
| F-5-1 | 14 | HZW1-90301-B00 | NUT, CASTLE, 18MM | 1 | XCA |
| F-5-1 | 15 | HZY3-90506-000 | WASHER, PROPELLER THRUST | 1 | XCA |
| F-5-1 | 16 | HZW5-90509-711 | WASHER, THRUST BEARING | 1 | XCA |
| F-5-1 | 17 | HZY3-90512-000 | WASHER, PROPELLER | 1 | XCA |
| F-5-1 | 18 | HZX2-90528-C00 | SHIM A, BEVEL(0.10) | 1 | XCA |
| F-5-1 | | HZX2-90529-C00 | SHIM B, BEVEL(0.15) | 1 | XCA |
| F-5-1 | | HZX2-90530-C00 | SHIM C, BEVEL(0.30) | 1 | XCA |
| F-5-1 | | HZX2-90531-C00 | SHIM D, BEVEL(0.50) | 1 | XCA |
| F-5-1 | 19 | HZX2-90528-E00 | SHIM A, BEVEL(0.10) | 1 | (COUNTER ROTATION) XCA |
| F-5-1 | | HZX2-90529-E00 | SHIM B, BEVEL(0.15) | 1 | (COUNTER ROTATION) XCA |
| F-5-1 | | HZX2-90530-E00 | SHIM C, BEVEL(0.30) | 1 | (COUNTER ROTATION) XCA |
| F-5-1 | | HZX2-90531-E00 | SHIM D, BEVEL(0.50) | 1 | (COUNTER ROTATION) XCA |
| F-5-1 | 20 | HZX2-90541-E01 | WASHER, THRUST, 85X110X2 | 1 | XCA |
| F-5-1 | 21 | HZX2-90542-E01 | WASHER, THRUST, 48X74X3 | 1 | (COUNTER ROTATION) XCA |
| F-5-1 | 22 | HZV5-90559-000 | WASHER, PLAIN, 12MM | 2 | XCA |
| F-5-1 | 23 | HZW1-90758-B00 | PIN, SPLIT, 4.0 | 1 | XCA |
| F-5-1 | 24 | HPT2-91005-N01 | BEARING, THRUST(F) | 1 | XCA |

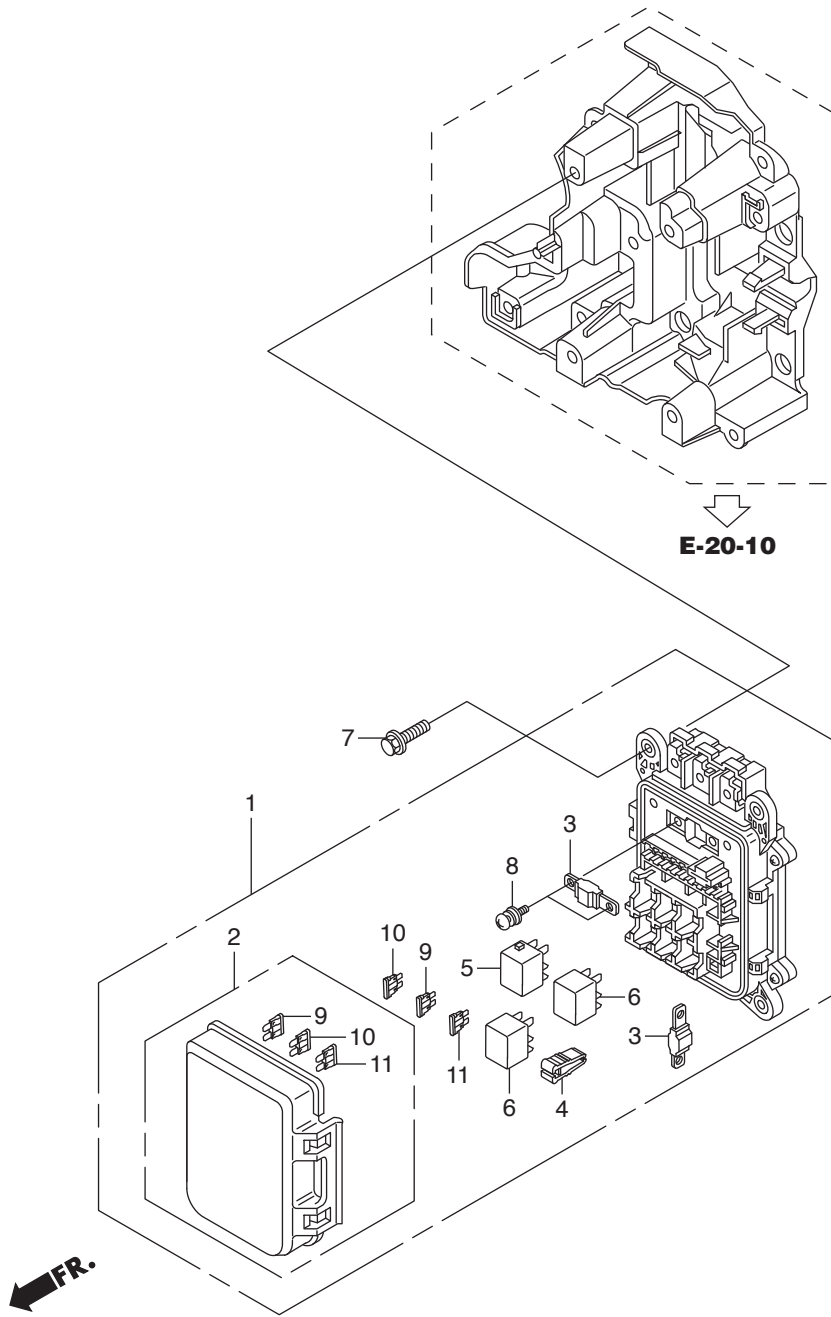




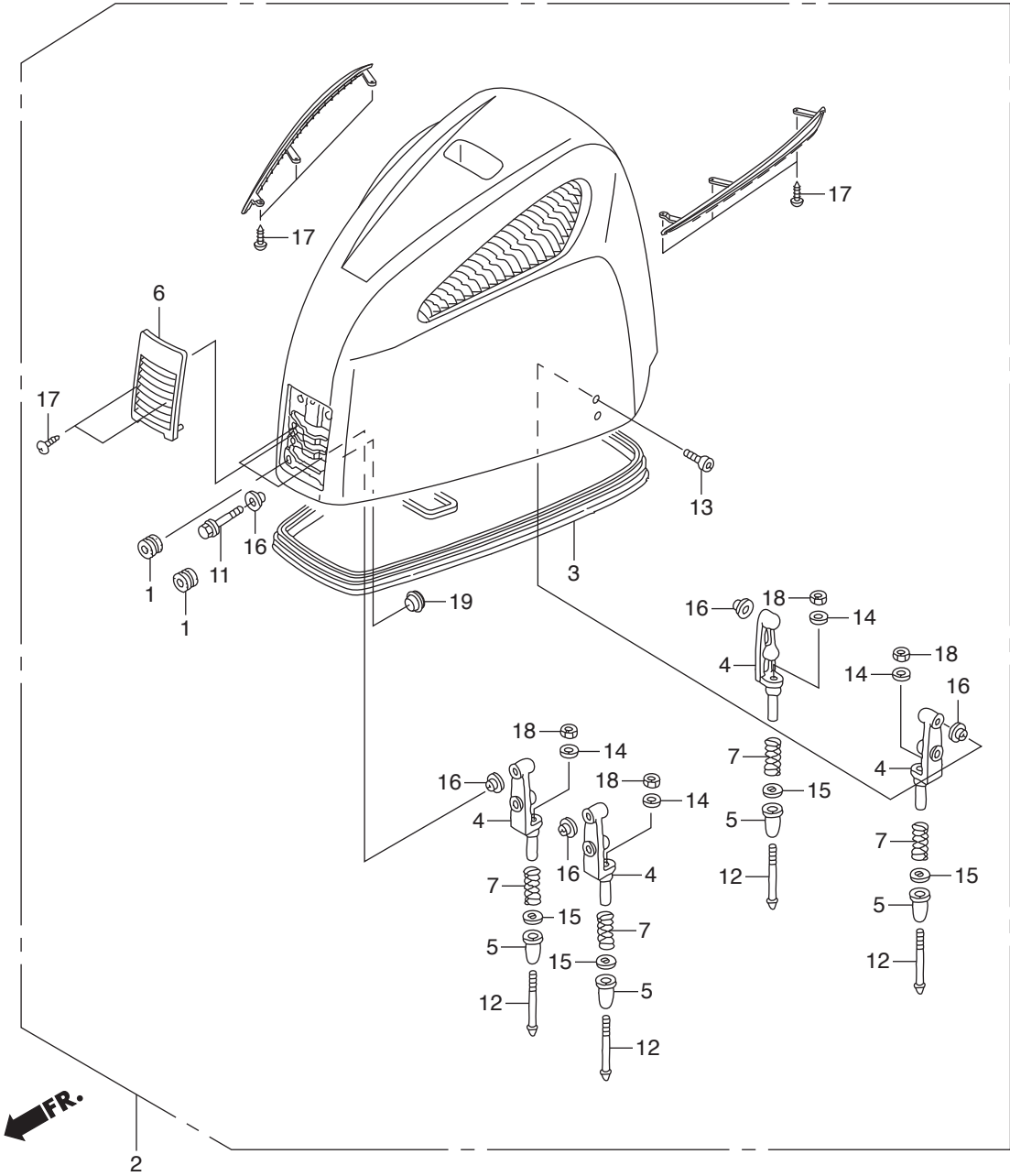




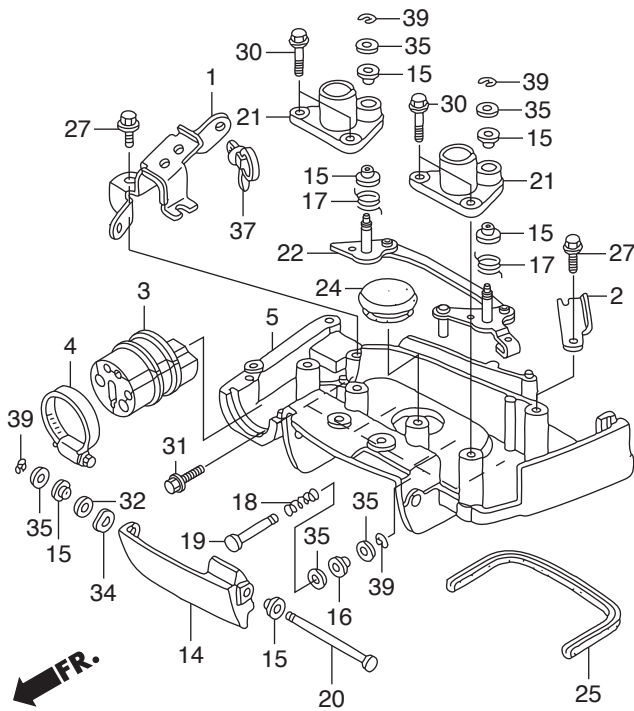
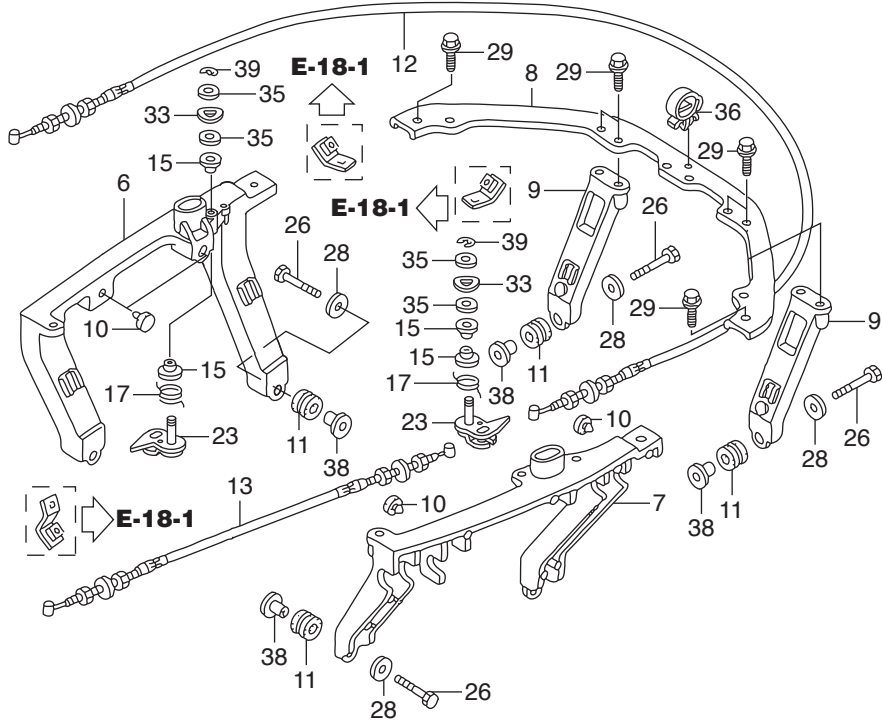
| Ref.No. | Part No. | Description | Q' ty | Remarks | |
|---------|----------|----------------|--------------------------------|---------|---------|
| | | | BFT250A | | |
| F-7-10 | 1 | HZY9-30419-003 | GROMMET, ELECTRONIC PARTS CASE | 3 | |
| F-7-10 | 2 | HZY9-32103-000 | BRACKET C, COUPLER | 2 | |
| F-7-10 | 3 | HZX2-32410-000 | CABLE ASSY., STARTER | 1 | |
| F-7-10 | 4 | HZY3-32411-003 | COVER, STARTER TERMINAL | 1 | |
| F-7-10 | 5 | HZX2-32414-300 | COVER B, TERMINAL(L) | 2 | |
| F-7-10 | 6 | HZY6-32414-640 | COVER B, TERMINAL | 1 | |
| F-7-10 | 7 | HZX2-32415-000 | CABLE ASSY., POWER TILT RELAY | 1 | |
| F-7-10 | 8 | HZX2-32435-000 | CORD, A.C. GENERATOR | 1 | |
| F-7-10 | 9 | HZX2-38550-003 | RELAY ASSY., POWER TILT | 1 | |
| F-7-10 | 10 | HZW1-38551-000 | GROMMET, RELAY | 2 | |
| F-7-10 | 11 | HZX2-38552-000 | CASE, POWER TILT RELAY | 1 | |
| F-7-10 | 12 | HZW2-90003-000 | BOLT-WASHER, 6X27(CT200) | 3 | |
| F-7-10 | 13 | HZW1-90013-000 | BOLT-WASHER, 6X25 | 2 | |
| F-7-10 | 14 | HZW9-90013-000 | BOLT, FLANGE, 6X12 | 4 | |
| F-7-10 | 15 | HZW9-90014-000 | BOLT, FLANGE, 6X10 | 2 | |
| F-7-10 | 16 | HZY3-90107-000 | BOLT, FLANGE, 8X18 | 1 | |
| F-7-10 | 17 | HZW1-90203-000 | NUT-WASHER, 8MM | 2 | |
| F-7-10 | 18 | HZY3-90304-000 | NUT-WASHER, 6MM | 1 | |
| F-7-10 | 19 | HZY3-90405-000 | WASHER, PLAIN, 8MM | 1 | |
| F-7-10 | 20 | HSB2-90620-003 | BAND, WIRE HARNESS | 1 | |
| F-7-10 | 21 | H763-90681-A01 | CLIP, WIRE HARNESS | 1 | |
| F-7-10 | 22 | HZX2-90683-003 | CLIP, WIRE HARNESS | 2 | |
| F-7-10 | 23 | HZZ5-91501-000 | COLLAR, MOUNTING(6MM) | 2 | |
| F-7-10 | 24 | HS0A-91541-003 | CLIP, HARNESS BAND(BLACK) | 4 | (145MM) |
| F-7-10 | 25 | HZV5-91553-010 | COLLAR, C.D.I. UNIT CASE | 3 | |
| | | | | | |
| | | | | | |
| | | | | | |
| | | | | | |



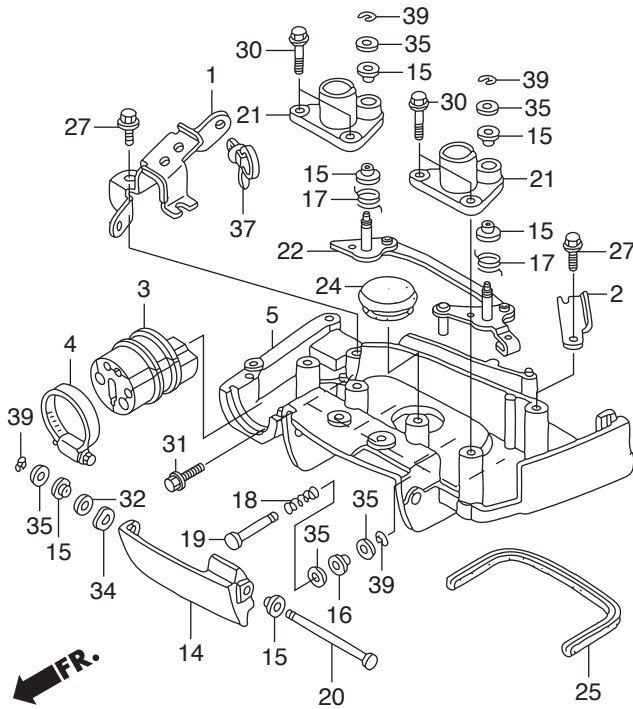
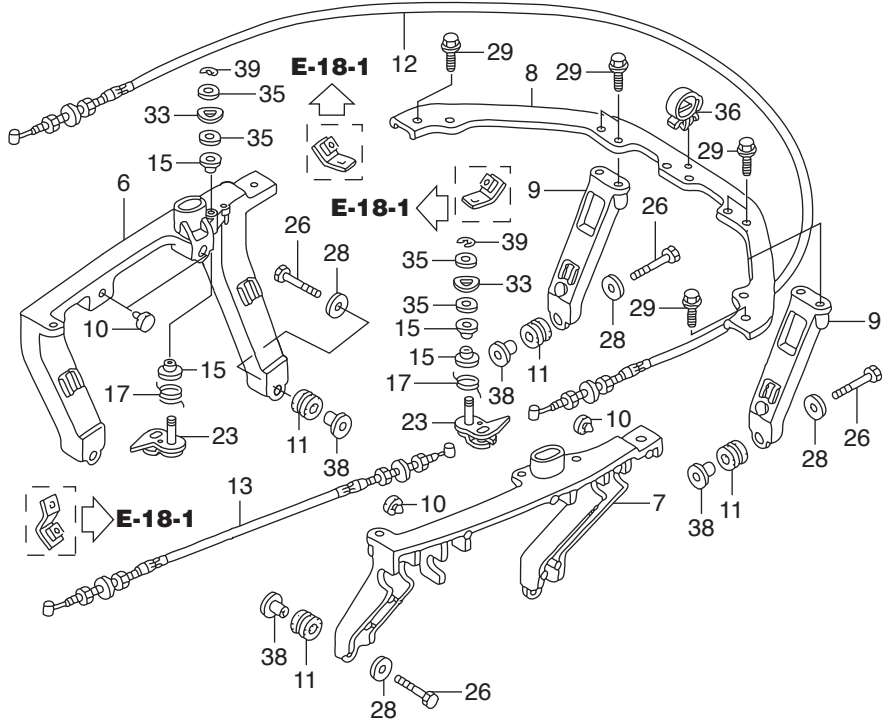
| Ref.No. | Part No. | Description | Q' ty | Remarks | |
|---------|----------|-----------------|-------------------------------|---------|----------------|
| | | | BFT250A | | |
| F-7-20 | 1 | HZX2-32370-004 | BOX ASSY., JUNCTION | 1 | |
| F-7-20 | 2 | HZY6-32371-004 | COVER COMP., FUSE | 1 | |
| F-7-20 | 3 | HZX2-38228-003 | FUSE, BLOCK(150A) | 2 | |
| F-7-20 | 4 | HZY6-38235-004 | PULLER, MINI FUSE | 1 | |
| F-7-20 | 5 | HSDA-39794-004 | RELAY ASSY., FUEL PUMP(DENSO) | 1 | |
| F-7-20 | 6 | HZY6-39794-003 | RELAY ASSY., POWER(12V-20A) | 2 | (MICRO ISO 4P) |
| F-7-20 | 7 | HZW5-90018-000 | BOLT, FLANGE, 6X20 | 4 | |
| F-7-20 | 8 | HZY6-90135-004 | SCREW-WASHER, 5X15 | 2 | |
| F-7-20 | 9 | HCO-98200-41000 | FUSE, MINI(10A) | 5 | |
| F-7-20 | 10 | HCO-98200-41500 | FUSE, MINI(15A) | 4 | |
| F-7-20 | 11 | HCO-98200-43000 | FUSE, MINI(30A) | 3 | |
| | | | | | |
| | | | | | |
| | | | | | |
| | | | | | |
| | | | | | |
| | | | | | |
| | | | | | |
| | | | | | |
| | | | | | |
| | | | | | |
| | | | | | |
| | | | | | |
| | | | | | |
| | | | | | |
| | | | | | |
| | | | | | |
| | | | | | |
| | | | | | |
| | | | | | |
| | | | | | |
| | | | | | |
| | | | | | |
| | | | | | |
| | | | | | |
| | | | | | |
| | | | | | |
| | | | | | |
| | | | | | |
| | | | | | |



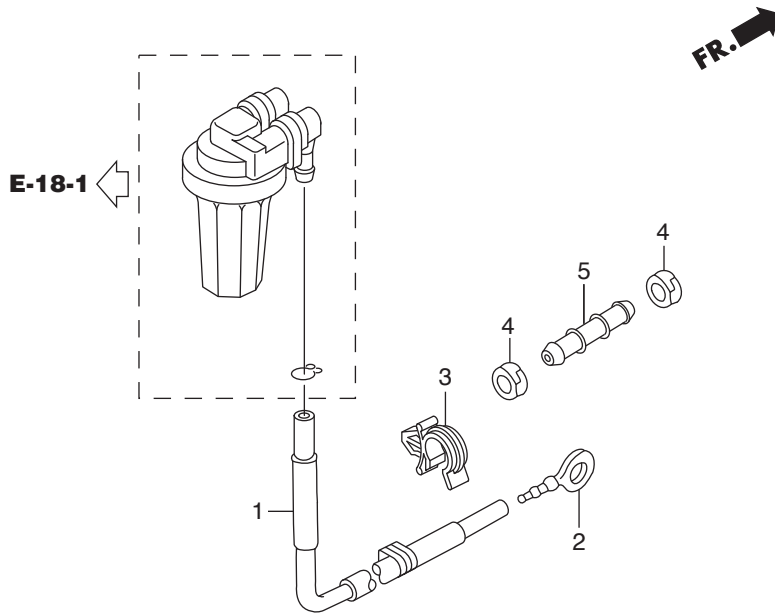
| Ref.No. | Part No. | Description | Q' ty | Remarks | |
|---------|----------|--------------------|---------------------------|---------|-----------------|
| | | | BFT250A | | |
| F-8 | 1 | HKE8-17251-690 | GROMMET, AIR CLEANER CASE | 4 | |
| F-8 | 2 | HZX2-63100-R00ZA | COVER ASSY., ENGINE | 1 | *T107* BAY BLUE |
| F-8 | 3 | HZY3-63102-010 | SEAL, ENGINE COVER | 1 | |
| F-8 | 4 | HZY3-63107-000 | BRACKET, HOOK | 4 | |
| F-8 | 5 | HZY3-63108-000 | DAMPER, HOOK | 4 | |
| F-8 | 6 | HZX2-63111-C00ZB | COVER, FR. | 1 | *T107* BAY BLUE |
| F-8 | 7 | HZX2-63119-C00 | SPRING, LOCK ADJUSTER | 4 | |
| F-8 | 11 | HZW9-90105-000 | BOLT, FLANGE, 6X20 | 4 | |
| F-8 | 12 | HZY3-90109-010 | BOLT, COVER LOCK | 4 | |
| F-8 | 13 | HZX1-90133-R00 | BOLT, SOCKET, 6X16 | 4 | |
| F-8 | 14 | H921-90504-010 | WASHER, PLAIN, 6MM | 4 | |
| F-8 | 15 | HZY3-90507-000 | WASHER, PLAIN, 12MM | 4 | |
| F-8 | 16 | HZY3-91556-000 | COLLAR, DISTANCE, 6.5X9X3 | 12 | |
| F-8 | 17 | HCO-93911-141J0 | SCREW, TAPPING, 4X10 | 8 | |
| F-8 | 18 | HCO-94002-06490-0S | NUT, HEX., 6MM | 4 | |
| F-8 | 19 | HCO-95551-20000 | PLUG, BLIND, 20MM | 1 | |
| | | | | | |
| | | | | | |
| | | | | | |
| | | | | | |
| | | | | | |
| | | | | | |
| | | | | | |
| | | | | | |
| | | | | | |
| | | | | | |
| | | | | | |
| | | | | | |
| | | | | | |
| | | | | | |
| | | | | | |
| | | | | | |
| | | | | | |
| | | | | | |
| | | | | | |
| | | | | | |
| | | | | | |
| | | | | | |
| | | | | | |
| | | | | | |
| | | | | | |

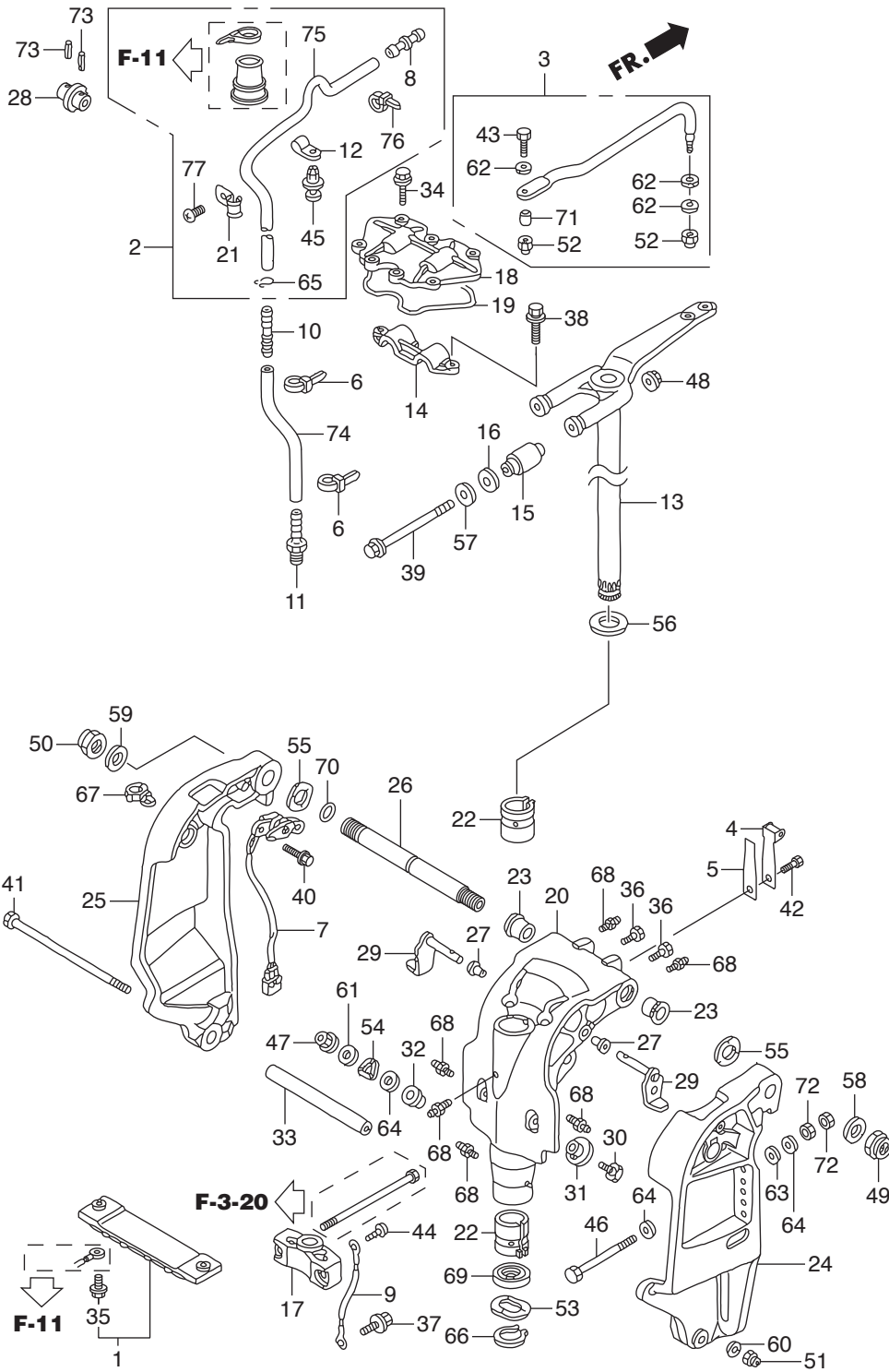


| Ref.No. | Part No. | Description | Q' ty | Remarks | |
|---------|----------|------------------|-----------------------------|---------|-----------------|
| | | | BFT250A | | |
| F-8-10 | 1 | HZY3-32419-A00 | BRACKET, CABLE | 1 | |
| F-8-10 | 2 | HZY3-32421-000 | PLATE, STARTER CABLE | 1 | |
| F-8-10 | 3 | HZY3-40105-C01 | GROMMET A, UNDER CASE | 1 | |
| F-8-10 | 4 | HZY3-40119-003 | BAND, UNDER CASE GROMMET | 1 | |
| F-8-10 | 5 | HZY3-40154-000ZA | BRACKET, FR. COVER | 1 | *NH8* DARK GRAY |
| F-8-10 | 6 | HZY3-40155-000 | BRACKET, R. SIDE COVER | 1 | |
| F-8-10 | 7 | HZY3-40157-000 | BRACKET, L. SIDE COVER | 1 | |
| F-8-10 | 8 | HZY3-40158-000 | BRACKET A, RR. COVER | 1 | |
| F-8-10 | 9 | HZY3-40159-000 | BRACKET B, RR. COVER | 2 | |
| F-8-10 | 10 | H196-47117-000 | RUBBER, STOPPER | 4 | |
| F-8-10 | 11 | H121-51640-730 | RUBBER, FR. CARRIER CUSHION | 6 | |
| F-8-10 | 12 | HZY3-60180-C01 | CABLE COMP. A, COVER LOCK | 1 | |
| F-8-10 | 13 | HZY3-60185-C01 | CABLE COMP. B, COVER LOCK | 1 | |
| F-8-10 | 14 | HZY3-63201-000ZC | LEVER, COVER LOCK | 1 | *T107* BAY BLUE |
| F-8-10 | 15 | HZY3-63205-000 | BUSH A, COVER LOCK | 10 | |
| F-8-10 | 16 | HZY3-63208-000 | BUSH B, COVER LOCK | 1 | |
| F-8-10 | 17 | HZY3-63212-000 | SPRING, COVER LOCK HOOK | 4 | |
| F-8-10 | 18 | HZY3-63223-000 | SPRING, LOCK LEVER RETURN | 1 | |
| F-8-10 | 19 | HZY3-63224-000 | SHAFT, COVER OPEN | 1 | |
| F-8-10 | 20 | HZY3-63225-000 | SHAFT, FR. LOCK | 1 | |
| F-8-10 | 21 | HZY3-63226-000 | HOLDER, STRIKER | 2 | |
| F-8-10 | 22 | HZY3-63230-C00 | LOCK ASSY., FR. | 1 | |
| F-8-10 | 23 | HZX2-63260-C00 | LOCK COMP., SIDE | 2 | |
| F-8-10 | 24 | HZC0-63515-700 | CAP, L. SIDE COVER | 1 | |
| F-8-10 | 25 | HZY3-63729-003 | SEAL D, UNDER COVER | 1 | |
| F-8-10 | 26 | HZV5-90009-000 | BOLT, HEX., 8X35 | 6 | |
| F-8-10 | 27 | HZY3-90021-000 | BOLT, FLANGE, 6X14 | 2 | |
| F-8-10 | 28 | HML0-90101-720 | WASHER, PLAIN, 8MM | 6 | |
| F-8-10 | 29 | HZW9-90102-000 | BOLT, FLANGE, 6X12 | 6 | |



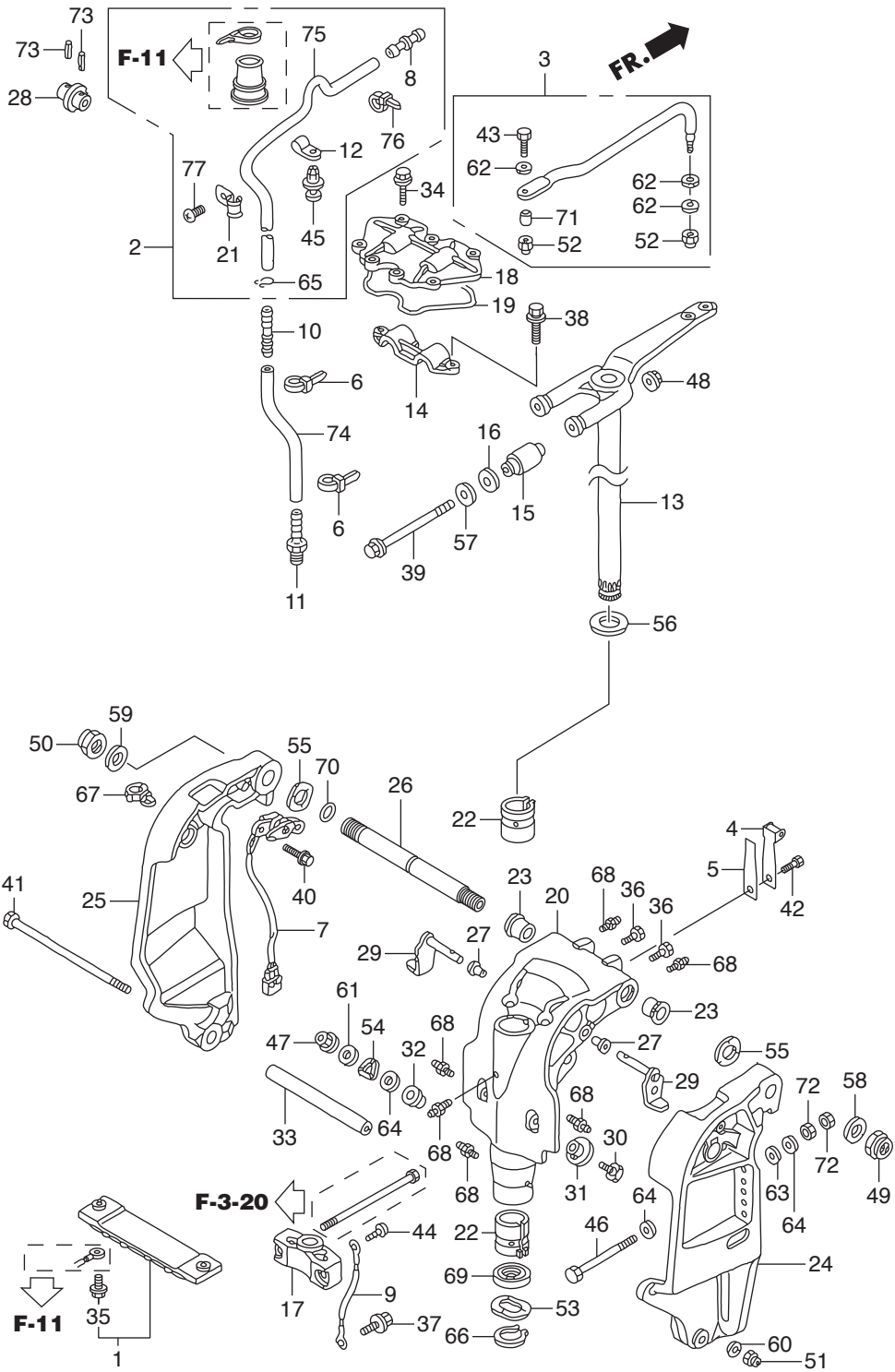
| Ref.No. | Part No. | Description | Q' ty | Remarks | |
|---------|----------|-----------------|---------------------------|---------|---------|
| | | | BFT250A | | |
| F-8-10 | 30 | HZW9-90105-000 | BOLT, FLANGE, 6X20 | 4 | |
| F-8-10 | 31 | HZY3-90106-A00 | BOLT, FLANGE, 8X22 | 4 | |
| F-8-10 | 32 | HMM8-90502-610 | WASHER, PLAIN, 10MM | 1 | |
| F-8-10 | 33 | HZX2-90502-003 | WASHER, WAVE, 8MM | 2 | |
| F-8-10 | 34 | HZW9-90506-000 | WASHER, WAVE, 10MM | 1 | |
| F-8-10 | 35 | H921-90518-000 | WASHER, PLAIN, 8MM | 9 | |
| F-8-10 | 36 | HZA0-90684-601 | CLIP, HARNESS | 1 | |
| F-8-10 | 37 | HS0A-91541-003 | CLIP, HARNESS BAND(BLACK) | 1 | (145MM) |
| F-8-10 | 38 | HZW1-91554-000 | COLLAR, 8.5X14.5 | 6 | |
| F-8-10 | 39 | HCO-94540-06029 | E-RING, 6MM | 6 | |
| | | | | | |
| | | | | | |
| | | | | | |
| | | | | | |
| | | | | | |
| | | | | | |
| | | | | | |
| | | | | | |
| | | | | | |
| | | | | | |
| | | | | | |
| | | | | | |
| | | | | | |
| | | | | | |
| | | | | | |
| | | | | | |
| | | | | | |
| | | | | | |
| | | | | | |
| | | | | | |
| | | | | | |
| | | | | | |
| | | | | | |





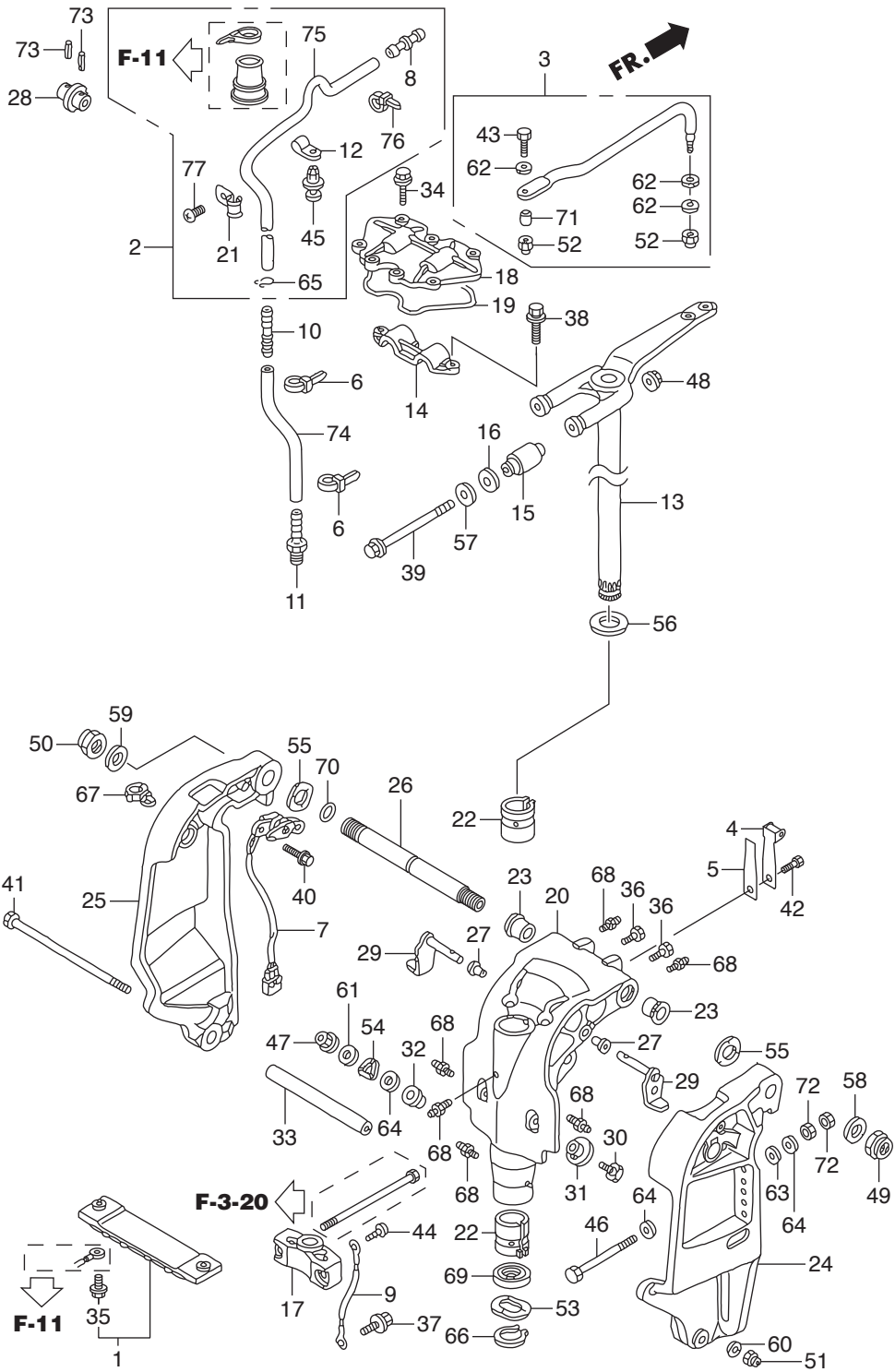
| Ref.No. | Part No. | Description | Q' ty | Remarks | |
|---------|----------|------------------|--------------------------------|---------|---------------------------|
| | | | BFT250A | | |
| F-10 | 1 | HZW1-06411-020 | METAL KIT, ANODE | 1 | |
| F-10 | 2 | HZY3-06412-000 | TUBE KIT, SPEED SENSOR | 1 | |
| F-10 | 3 | HZY3-06532-U00 | ROD KIT, STEERING | 1 | |
| F-10 | 4 | HZV1-24210-010 | SPRING COMP., CLICK | 1 | |
| F-10 | 5 | HZV4-24221-010 | SPRING, CLICK ASSIST | 1 | |
| F-10 | 6 | HKM3-32161-003 | BAND, WIRE | 2 | |
| F-10 | 7 | HZY3-35660-003 | SENSOR ASSY., TRIM ANGLE | 1 | |
| F-10 | 8 | H663-38562-920 | JOINT B, WASHER TUBE(MITSUBA) | 1 | |
| F-10 | 9 | HZY3-40219-013 | WIRE, LEAD(1.5X116MM) | 1 | |
| F-10 | 10 | HZV5-41171-000 | END, NIPPLE | 1 | |
| F-10 | 11 | HZV5-41172-000 | NIPPLE, SENSOR | 1 | |
| F-10 | 12 | HZY3-41179-A00 | CLAMPER, SENSOR TUBE | 2 | |
| F-10 | 13 | HZY3-50100-A01 | FRAME COMP., MOUNTING(L) | 1 | LA |
| F-10 | | HZY3-50100-A11 | FRAME COMP., MOUNTING(XL) | 1 | XA,XCA |
| F-10 | 14 | HZY3-50109-000 | HOUSING, UPPER MOUNTING | 1 | |
| F-10 | 15 | HZY3-50151-000 | MOUNT COMP., UPPER RUBBER | 2 | |
| F-10 | 16 | HZY3-50153-000 | RUBBER, UPPER MOUNT STOPPER | 2 | |
| F-10 | 17 | HZY3-50161-000ZD | HOUSING, LOWER CENTER MOUNTING | 1 | *T107* BAY BLUE LA |
| F-10 | | HZY3-50161-610 | HOUSING, LOWER CENTER MOUNTING | 1 | (XL) XA,XCA |
| F-10 | 18 | HZY3-50166-000 | COVER, UPPER MOUNT | 1 | |
| F-10 | 19 | HZY3-50168-000 | SEAL, UPPER MOUNT COVER | 1 | |
| F-10 | 20 | HZY3-50201-C01ZD | CASE, SWIVEL | 1 | *T107* BAY BLUE LA |
| F-10 | | HZY3-50201-C11ZC | CASE, SWIVEL | 1 | *T107* BAY BLUE XA,XCA |
| F-10 | 21 | HZY3-50209-A00 | CLAMP, TUBE | 2 | |
| F-10 | 22 | HZY3-50211-000 | LINER, SWIVEL CASE | 2 | |
| F-10 | 23 | HZY3-50214-000 | BUSH, SWIVEL CASE | 2 | |
| F-10 | 24 | HZY3-50301-030ZC | BRACKET, R. STERN | 1 | *T107* BAY BLUE |
| F-10 | 25 | HZY3-50311-020ZC | BRACKET, L. STERN | 1 | *T107* BAY BLUE |
| F-10 | 26 | HZY3-50381-000 | SHAFT, TILTING | 1 | |

F-10 STERN BRACKET/SWIVEL CASE

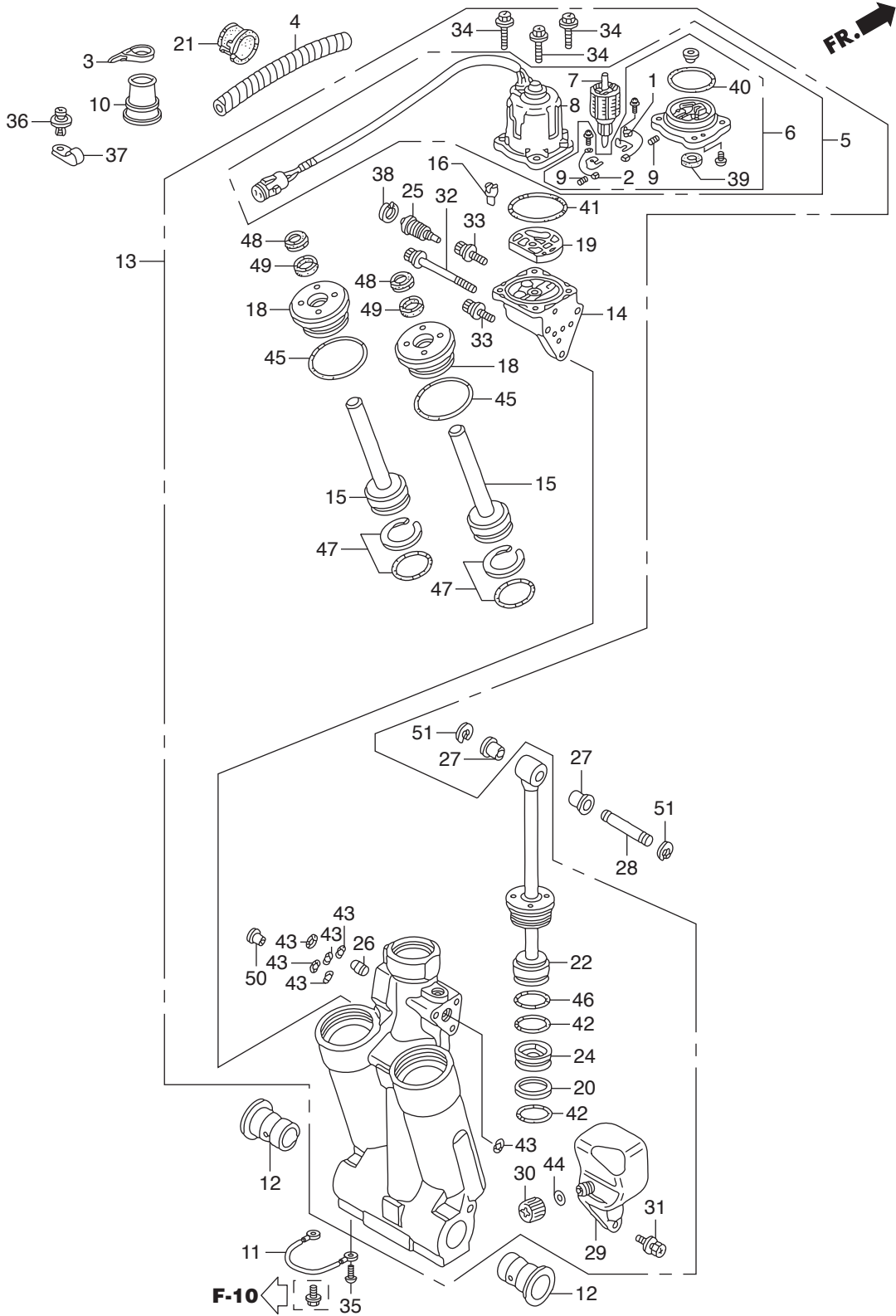


| Ref.No. | Part No. | Description | Q' ty | Remarks | |
|---------|----------|----------------|---------------------------|---------|--|
| | | | BFT250A | | |
| F-10 | 27 | HZY3-50522-000 | BUSH, TILT ARM | 2 | |
| F-10 | 28 | HZY3-50527-000 | BRACKET, TILTING | 1 | |
| F-10 | 29 | HZY3-50529-000 | STOPPER, TILT | 2 | |
| F-10 | 30 | HZY3-56516-A00 | RECEIVER, THRUST | 2 | |
| F-10 | 31 | HZY3-56518-A00 | BUSH A, THRUST RECEIVE | 2 | |
| F-10 | 32 | HZY3-56519-A00 | BUSH B, THRUST RECEIVE | 2 | |
| F-10 | 33 | HZW1-56539-000 | COLLAR, LOWER CYLINDER | 1 | |
| F-10 | 34 | HZW9-90005-000 | BOLT, FLANGE, 6X20 | 7 | |
| F-10 | 35 | HZW9-90009-000 | BOLT, FLANGE, 6X23 | 2 | |
| F-10 | 36 | HZW1-90102-000 | BOLT, 1/4-28UNF | 2 | |
| F-10 | 37 | HZW9-90103-010 | BOLT, FLANGE, 6X12 | 1 | |
| F-10 | 38 | HZY6-90103-000 | BOLT-WASHER, 10X32 | 3 | |
| F-10 | 39 | HZY3-90104-010 | BOLT, HEX., 12X200 | 2 | |
| F-10 | 40 | HZW9-90105-000 | BOLT, FLANGE, 6X20 | 2 | |
| F-10 | 41 | HZW1-90108-000 | BOLT, HEX., 10X235 | 1 | |
| F-10 | 42 | H881-90110-000 | BOLT, HEX., 6X14 | 1 | |
| F-10 | 43 | HZY3-90117-000 | BOLT, 3/8-24UNF | 1 | |
| F-10 | 44 | HZV5-90119-000 | SCREW, PAN, 6X8 | 1 | |
| F-10 | 45 | HZV5-90127-003 | SCREW, RIVET, 5X10 | 2 | |
| F-10 | 46 | HZX2-90129-000 | BOLT, HEX., 12X130 | 6 | |
| F-10 | 47 | HZY1-90205-000 | NUT, SELF-LOCK, 6MM | 2 | |
| F-10 | 48 | HZW5-90302-003 | NUT, FLANGE, 12MM | 2 | |
| F-10 | 49 | HZV5-90304-013 | NUT, SELF-LOCK(7/8-14UNF) | 1 | |
| F-10 | 50 | HZW1-90304-013 | NUT, SELF-LOCK(25X2.0) | 1 | |
| F-10 | 51 | HZW4-90306-003 | NUT, FLANGE, 10MM | 1 | |
| F-10 | 52 | HZV5-90307-003 | NUT, SELF-LOCK(3/8-24UNF) | 2 | |
| F-10 | 53 | HZV5-90501-000 | WASHER, WAVE, 40MM | 1 | |
| F-10 | 54 | HZY3-90501-A00 | WASHER, WAVE, 12MM | 2 | |
| F-10 | 55 | HZV5-90502-000 | WASHER, WAVE, 26MM | 2 | |

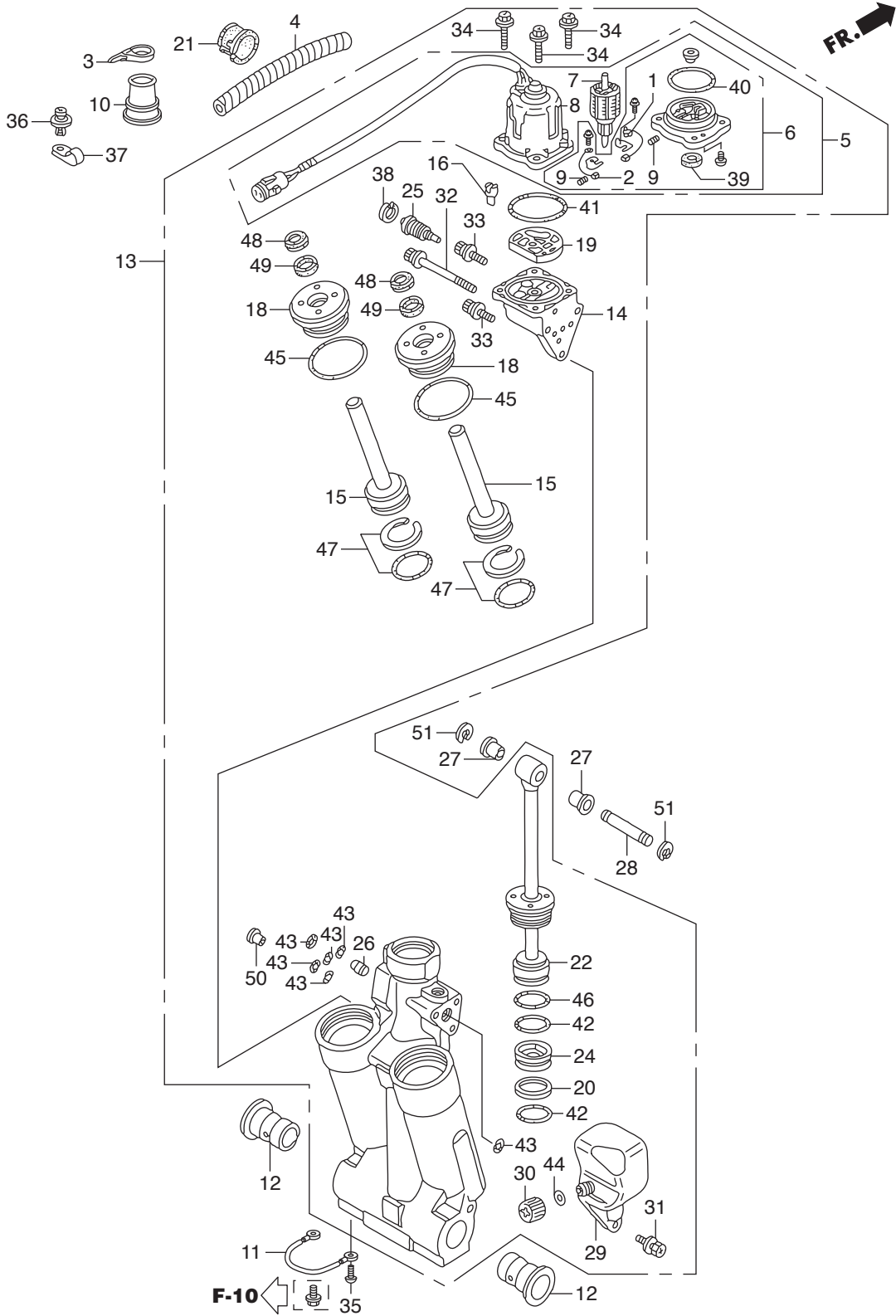
F-10 STERN BRACKET/SWIVEL CASE



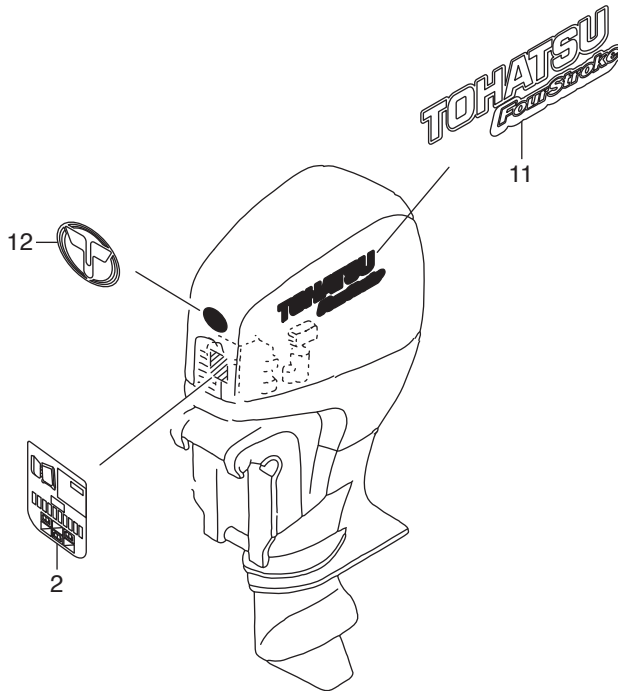
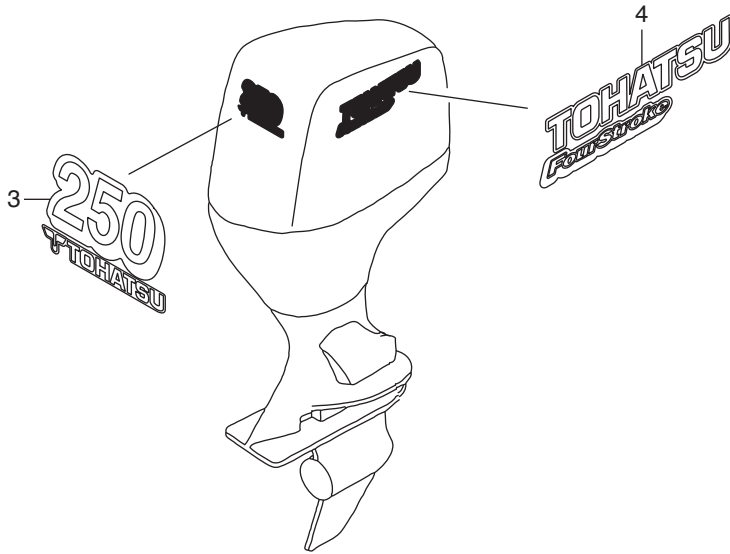
| Ref.No. | Part No. | Description | Q' ty | Remarks | |
|---------|----------|--------------------|--------------------------------|---------|----------------------|
| | | | BFT250A | | |
| F-10 | 56 | HZV5-90504-000 | WASHER, THRUST, 34MM | 1 | |
| F-10 | 57 | HZY3-90504-A00 | WASHER, UPPER MOUNTING STOPPER | 2 | |
| F-10 | 58 | HZY3-90509-000 | WASHER, 7/8INCH | 1 | |
| F-10 | 59 | HZY3-90510-000 | WASHER, 25MM | 1 | |
| F-10 | 60 | H921-90511-000 | WASHER, PLAIN, 10MM | 1 | |
| F-10 | 61 | HZV4-90512-000 | WASHER, PLAIN, 6MM | 2 | |
| F-10 | 62 | HZV4-90514-000 | WASHER, 10MM | 3 | |
| F-10 | 63 | HZV5-90552-000 | WASHER, PLAIN, 12MM | 6 | |
| F-10 | 64 | HZV5-90559-000 | WASHER, PLAIN, 12MM | 14 | |
| F-10 | 65 | H921-90602-000 | CLIP, TUBE(B8) | 1 | |
| F-10 | 66 | HZV5-90651-000 | CIRCLIP, EXTERNAL, 39MM | 1 | |
| F-10 | 67 | H763-90681-A01 | CLIP, WIRE HARNESS | 1 | |
| F-10 | 68 | HZV7-90951-010 | NIPPLE, GREASE | 6 | |
| F-10 | 69 | HZV5-91256-003 | OIL SEAL, 39.5X52X6(ARA1) | 1 | |
| F-10 | 70 | HZV5-91352-000 | O-RING, 15.54X2.26 | 1 | |
| F-10 | 71 | HZY3-91560-000 | COLLAR, STEERING ROD | 1 | |
| F-10 | 72 | HCO-94001-12490-0S | NUT, HEX., 12MM | 12 | |
| F-10 | 73 | HCO-94305-30203 | PIN, SPRING, 3X20 | 2 | |
| F-10 | 74 | HCO-95005-50200-30 | TUBE, 5X200 | 1 | (HC-95005-50001-30M) |
| F-10 | 75 | HCO-95005-50950-30 | TUBE, 5X950 | 1 | (HC-95005-50001-30M) |
| F-10 | 76 | HKM3-32161-003 | BAND, WIRE | 1 | |
| F-10 | 77 | HZV5-90119-000 | SCREW, PAN, 6X8 | 2 | |
| | | | | | |
| | | | | | |
| | | | | | |
| | | | | | |
| | | | | | |
| | | | | | |
| | | | | | |
| | | | | | |
| | | | | | |
| | | | | | |

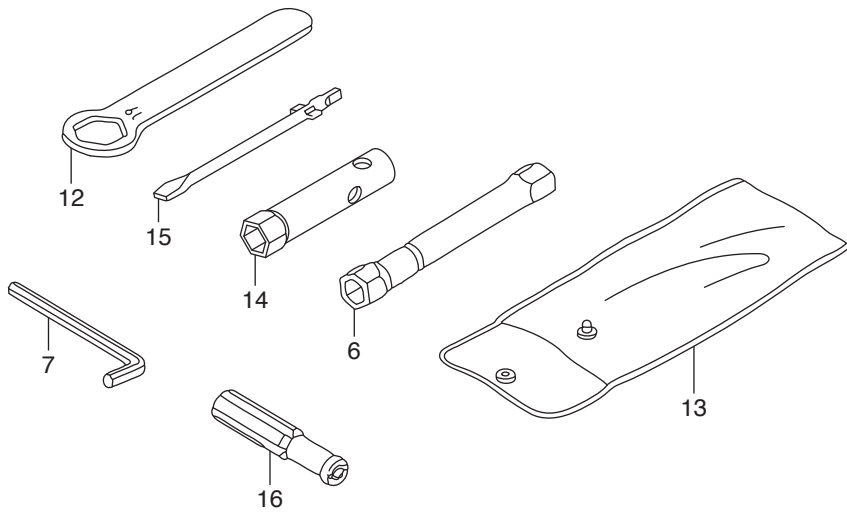


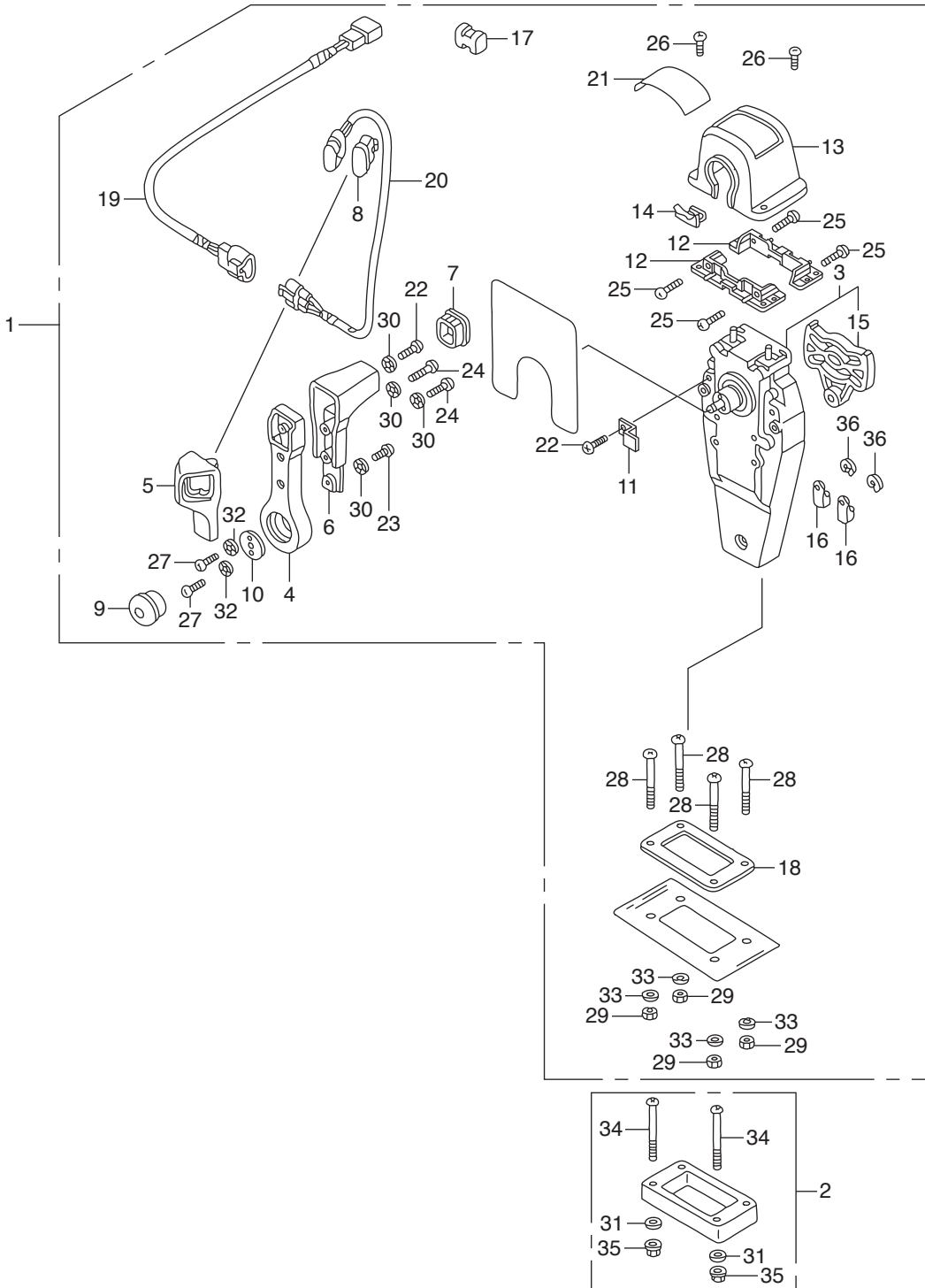
| Ref.No. | Part No. | Description | Q' ty | Remarks | |
|---------|----------|----------------|-------------------------|---------|--|
| | | | BFT250A | | |
| F-11 | 1 | HZY3-30280-003 | BREAKER ASSY. | 1 | |
| F-11 | 2 | HZY3-31106-003 | BRUSH ASSY. | 1 | |
| F-11 | 3 | HMG9-35701-950 | BAND(BLACK 3.5X140) | 1 | |
| F-11 | 4 | HZW1-36104-003 | TUBE, SPIRAL(12X14.6) | 1 | |
| F-11 | 5 | HZX2-36120-003 | MOTOR ASSY., POWER TILT | 1 | |
| F-11 | 6 | HZY3-36122-013 | BRACKET ASSY. | 1 | |
| F-11 | 7 | HZY3-36123-013 | ARMATURE COMP. | 1 | |
| F-11 | 8 | HZX2-36129-003 | YOKE ASSY. | 1 | |
| F-11 | 9 | HZV5-36136-821 | SPRING, MOTOR | 2 | |
| F-11 | 10 | HZW1-40107-700 | GROMMET, UNDER CASE(C) | 2 | |
| F-11 | 11 | HZY3-40219-013 | WIRE, LEAD(1.5X116MM) | 1 | |
| F-11 | 12 | HZV5-50214-003 | BUSH, SWIVEL CASE | 2 | |
| F-11 | 13 | HZX2-56000-013 | TRIM-TILT ASSY., POWER | 1 | |
| F-11 | 14 | HZY3-56100-013 | PUMP ASSY. | 1 | |
| F-11 | 15 | HZW1-56110-701 | ROD COMP., PISTON(B) | 2 | |
| F-11 | 16 | HZW1-56113-701 | JOINT, DRIVE | 1 | |
| F-11 | 18 | HZY9-56115-003 | GUIDE COMP., ROD | 2 | |
| F-11 | 19 | HZW1-56116-701 | FILTER B | 1 | |
| F-11 | 20 | HZV5-56117-821 | RING, BACK UP | 1 | |
| F-11 | 21 | HZV5-56118-820 | BUSH, MOTOR CODE | 1 | |
| F-11 | 22 | HZY3-56120-013 | ROD COMP., PISTON | 1 | |
| F-11 | 24 | HZW1-56130-702 | PISTON COMP., FREE | 1 | |
| F-11 | 25 | HZY3-56170-013 | VALVE COMP., MANUAL | 1 | |
| F-11 | 26 | HZW1-56180-701 | VALVE COMP., RESERVOIR | 1 | |
| F-11 | 27 | HZV5-56513-000 | BUSH, LOWER CYLINDER | 2 | |
| F-11 | 28 | HZY3-56532-000 | PIN, UPPER CYLINDER | 1 | |
| F-11 | 29 | HZW1-56851-703 | TANK, OIL | 1 | |
| F-11 | 30 | HZW1-56860-701 | CAP COMP., OIL TANK | 1 | |
| F-11 | 31 | HZW1-90113-702 | BOLT, RECESSED | 3 | |



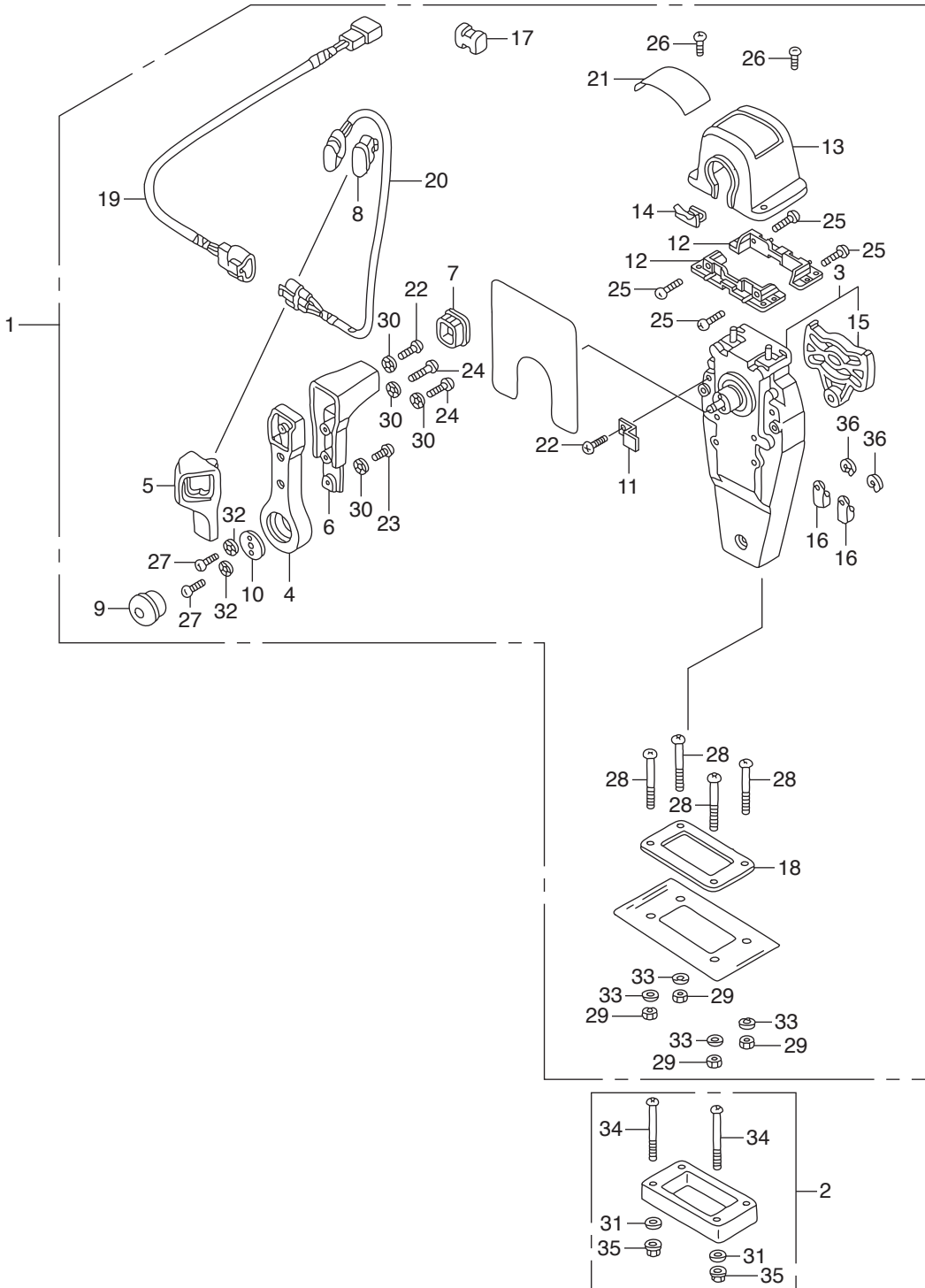
| Ref.No. | | Part No. | Description | Q' ty | Remarks |
|---------|----|-----------------|----------------------|---------|---------|
| | | | | BFT250A | |
| F-11 | 32 | HZW1-90114-702 | BOLT, SOCKET(A) | 1 | |
| F-11 | 33 | HZW1-90115-702 | BOLT, SOCKET(B) | 2 | |
| F-11 | 34 | HZW1-90116-702 | BOLT, HEX. | 4 | |
| F-11 | 35 | HZV5-90119-000 | SCREW, PAN, 6X8 | 1 | |
| F-11 | 36 | HZV5-90127-003 | SCREW, RIVET, 5X10 | 1 | |
| F-11 | 37 | HSB0-90602-003 | CLIP, 10.7MM | 1 | |
| F-11 | 38 | HZW1-90652-702 | CIRCLIP, INTERNAL | 1 | |
| F-11 | 39 | HZV5-91203-821 | OIL SEAL | 1 | |
| F-11 | 40 | HZW1-91207-013 | O-RING, 2.0X70.5 | 1 | |
| F-11 | 41 | HZV5-91302-821 | O-RING, 1.8X69.6 | 1 | |
| F-11 | 42 | HZV5-91316-821 | O-RING, 3.5X38.7 | 2 | |
| F-11 | 43 | HZW1-91352-702 | O-RING, 1.8X7.7 | 6 | |
| F-11 | 44 | HZW1-91353-703 | O-RING, 1.9X11 | 1 | |
| F-11 | 45 | HZW1-91354-701 | O-RING, 3.5X35.7 | 2 | |
| F-11 | 46 | HZW1-91355-701 | O-RING, 3.5X41.7 | 1 | |
| F-11 | 47 | HZW1-91357-701 | O-RING SET, 3.5X31.7 | 2 | |
| F-11 | 48 | HZW1-91358-701 | SEAL, WATER | 2 | |
| F-11 | 49 | HZW1-91361-701 | PACKING | 2 | |
| F-11 | 50 | HZW1-91557-701 | COLLAR, ORIFICE | 1 | |
| F-11 | 51 | HCO-94540-15029 | E-RING, 15MM | 2 | |
| | | | | | |
| | | | | | |
| | | | | | |
| | | | | | |
| | | | | | |
| | | | | | |
| | | | | | |
| | | | | | |
| | | | | | |
| | | | | | |

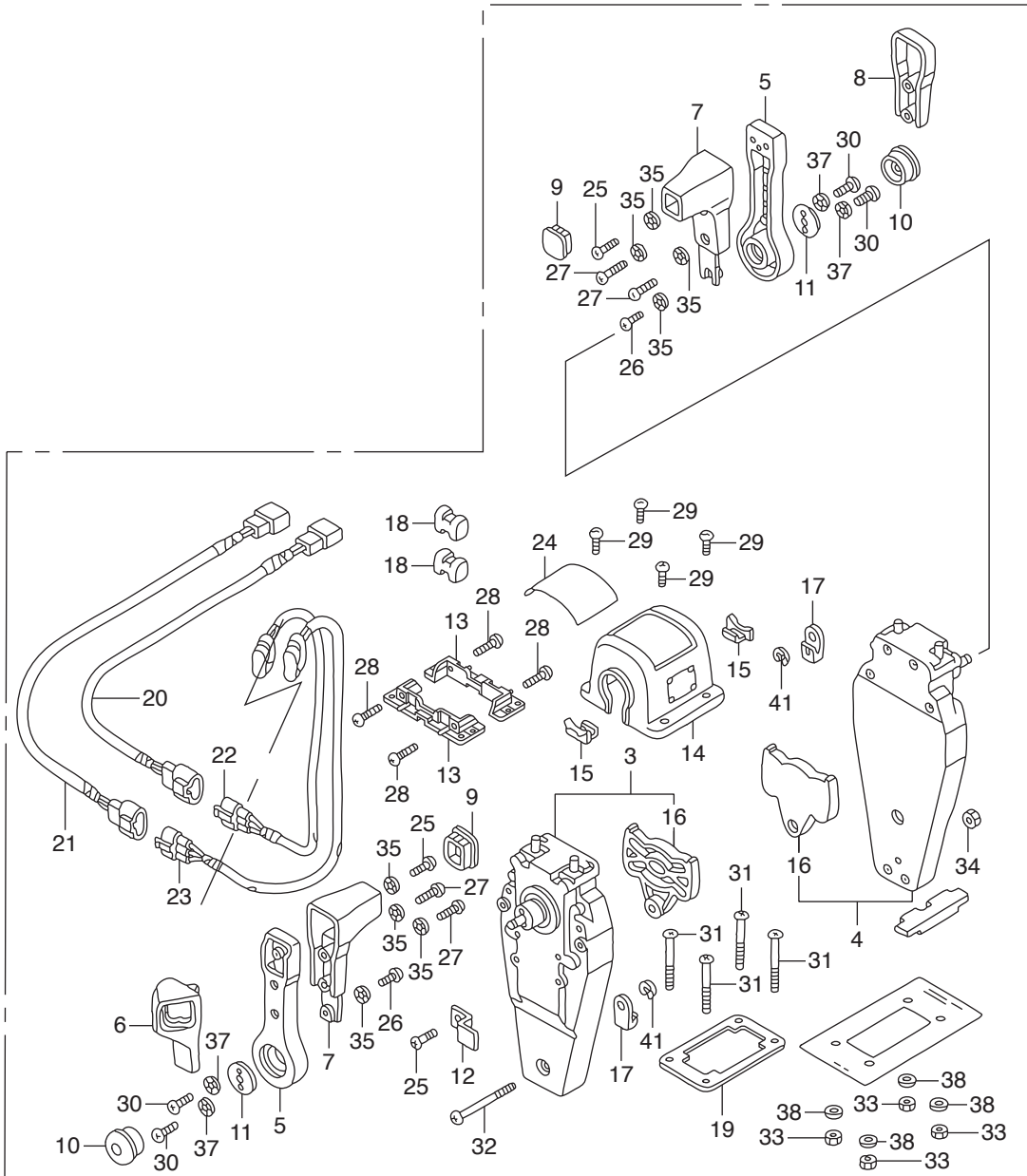




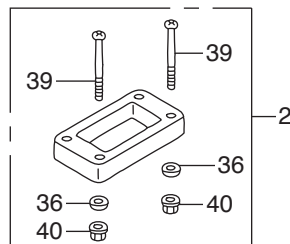
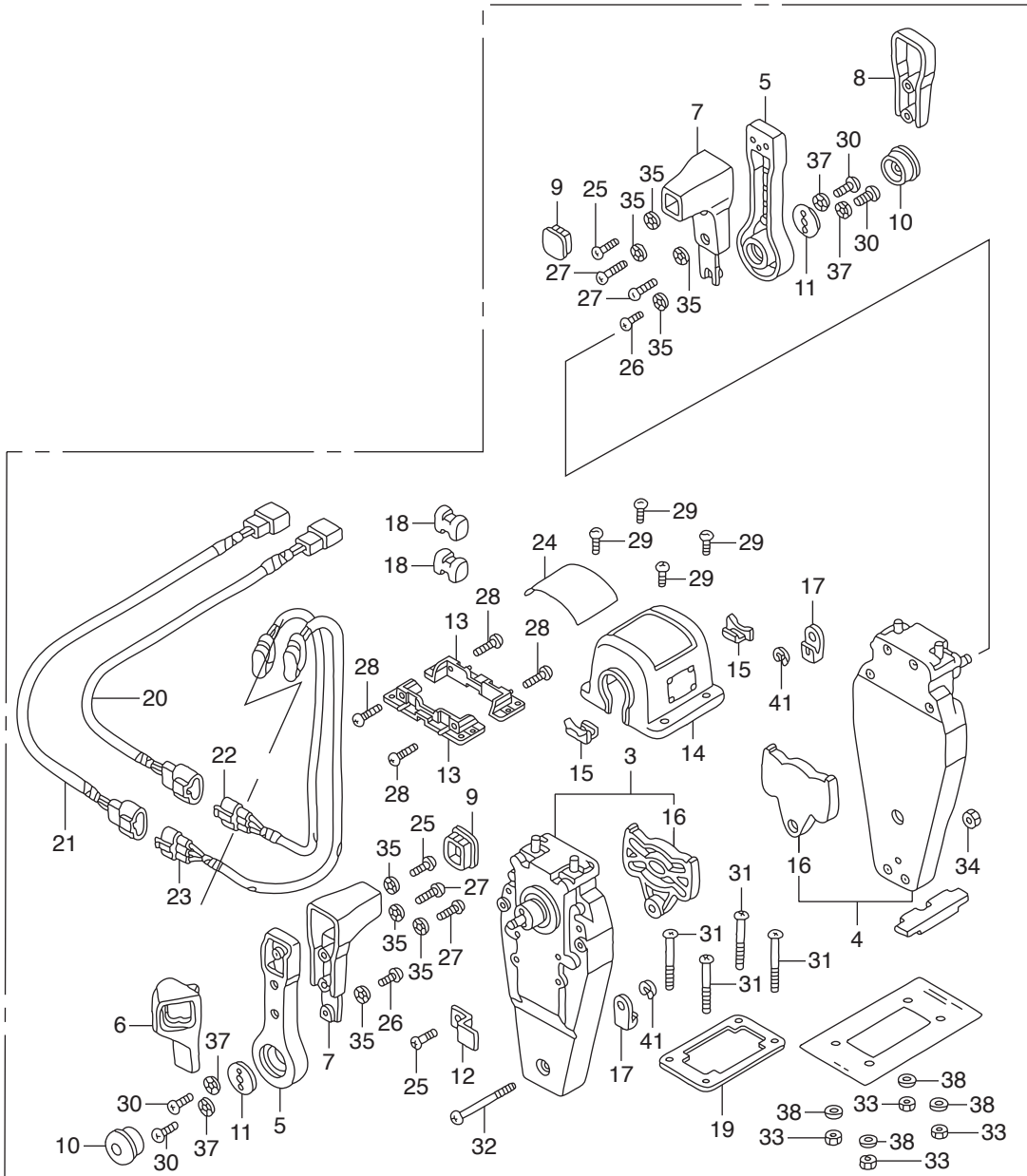


| Ref.No. | Part No. | Description | Q' ty | Remarks | |
|---------|----------|----------------|--------------------------------|---------|------------------------|
| | | | BFT250A | | |
| FOP-1 | 1 | HZZ3-06240-R30 | BOX KIT, REMOTE CONTROL | 1 | (TOP MOUNT SINGLE)(R.) |
| FOP-1 | 2 | HZW5-06241-U00 | SPACER KIT, REMOTE CONTROL BOX | 1 | (TOP MOUNT SINGLE) |
| FOP-1 | 3 | HZW5-24810-U01 | HOUSING ASSY., L. INNER | 1 | (TOP MOUNT) |
| FOP-1 | 4 | HZW5-24811-U01 | HANDLE, REMOTE CONTROL | 1 | |
| FOP-1 | 5 | HZW5-24812-U01 | COVER, L. GRIP | 1 | |
| FOP-1 | 6 | HZW5-24813-U01 | GRIP, REMOTE CONTROL HANDLE | 1 | |
| FOP-1 | 7 | HZW5-24814-U01 | CAP, GRIP | 1 | |
| FOP-1 | 8 | HZW5-24815-U01 | CAP, SWITCH | 1 | |
| FOP-1 | 9 | HZW5-24816-U01 | BUTTON, THROTTLE | 1 | |
| FOP-1 | 10 | HZW5-24817-U01 | PLATE, HANDLE | 1 | |
| FOP-1 | 11 | HZW5-24818-U01 | PLATE, CABLE CLAMP | 1 | |
| FOP-1 | 12 | HZW5-24819-U01 | BRACKET, REMOTE CONTROL | 2 | HOUSING |
| FOP-1 | 13 | HZZ3-24820-R11 | HOUSING COMP., REMOTE CONTROL | 1 | BOX |
| FOP-1 | 14 | HZW5-24825-U01 | HOUSING, LEAD | 1 | |
| FOP-1 | 15 | HZW5-24826-U01 | PLATE, DWELL | 1 | |
| FOP-1 | 16 | HZW5-24831-U01 | TERMINAL, CABLE | 2 | |
| FOP-1 | 17 | HZW5-24832-U01 | SPACER, CABLE CLAMP | 1 | |
| FOP-1 | 18 | HZW5-24834-U01 | PACKING, SINGLE | 1 | |
| FOP-1 | 19 | HZW7-32530-U00 | SUB HARNESS ASSY., POWER | 1 | TRIM-TILT(A) |
| FOP-1 | 20 | HZW5-35370-U02 | SWITCH ASSY., POWER TRIM-TILT | 1 | (A) |
| FOP-1 | 21 | HZZ3-87703-R81 | MARK, REMOTE CONTROL(SINGLE) | 1 | |
| FOP-1 | 22 | HZW5-90101-U00 | SCREW, PAN, 5X16 | 2 | |
| FOP-1 | 23 | HZW5-90102-U00 | SCREW, PAN, 5X10 | 1 | |
| FOP-1 | 24 | HZW5-90103-U01 | SCREW, PAN, 5X20 | 2 | |
| FOP-1 | 25 | HZW5-90104-U00 | SCREW, PAN, 5X18 | 4 | |
| FOP-1 | 26 | HZW5-90105-U01 | SCREW, PAN, 4X10 | 2 | |
| FOP-1 | 27 | HZW5-90106-U00 | SCREW, PAN, 6X18 | 2 | |
| FOP-1 | 28 | HZW5-90107-U00 | SCREW, PAN, 5X40 | 4 | |
| FOP-1 | 29 | HZW5-90301-U00 | NUT, HEX., 5MM | 4 | |

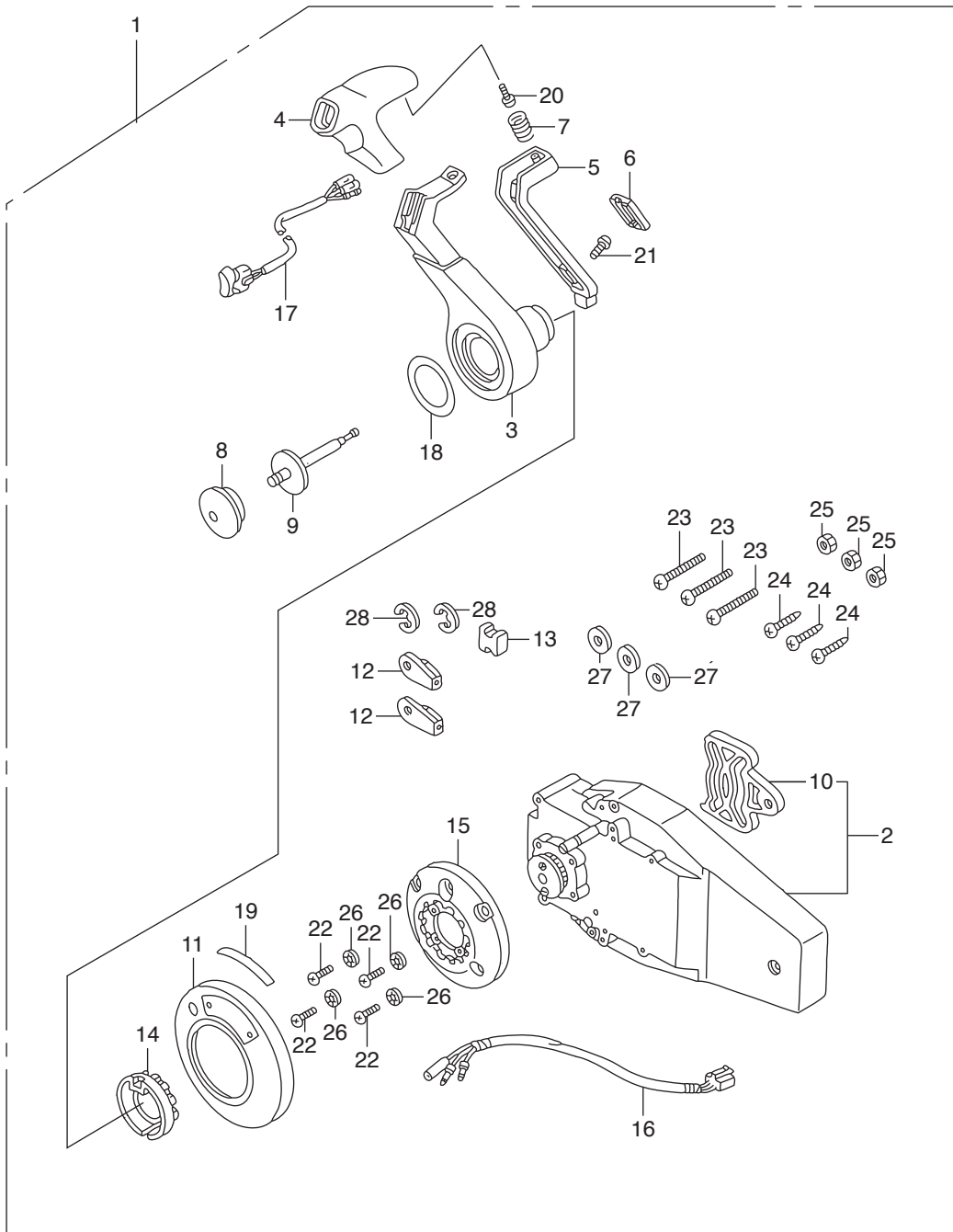




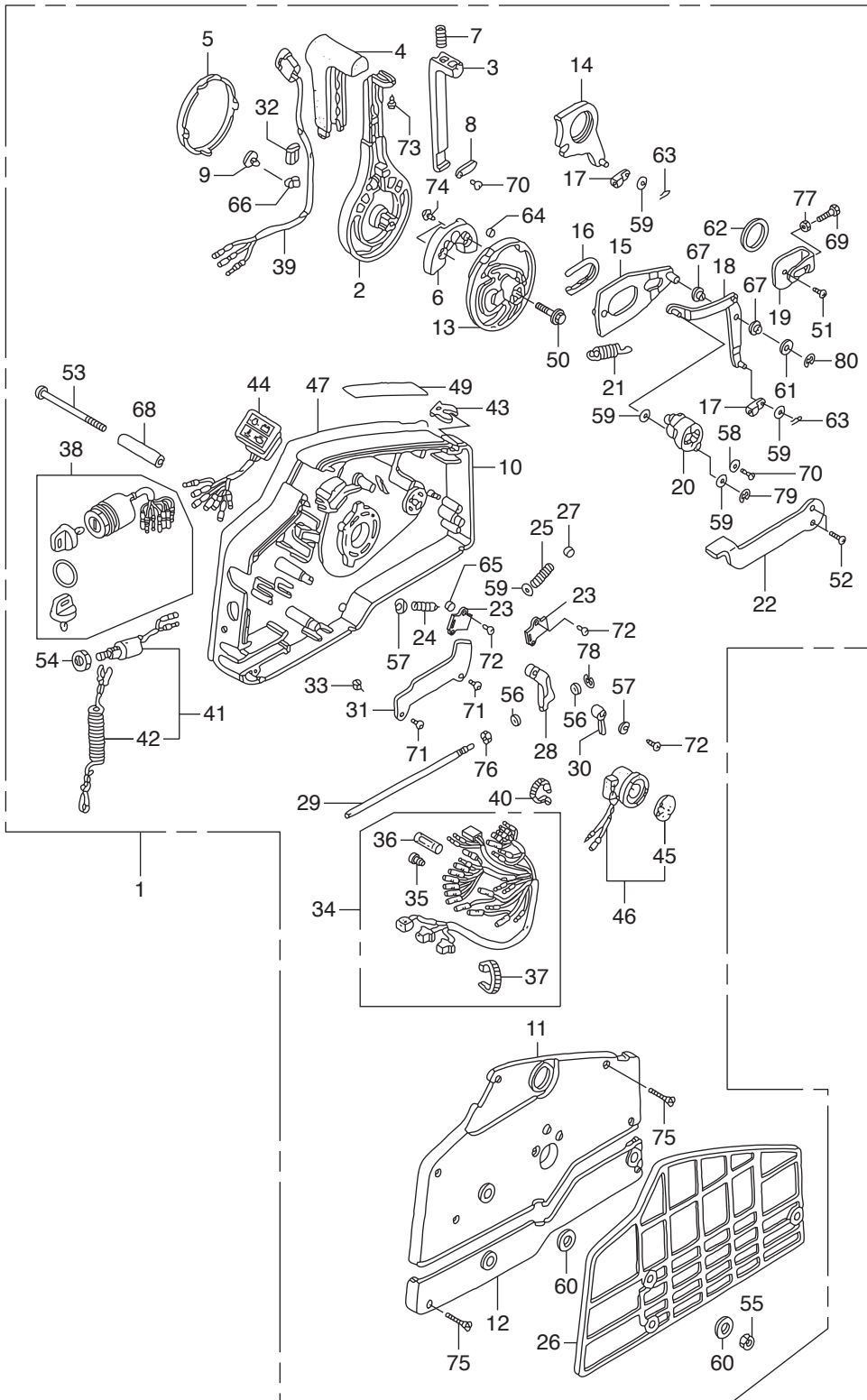
| Ref.No. | Part No. | Description | Q' ty | Remarks | |
|---------|----------|----------------|--------------------------------|---------|----------------------|
| | | | BFT250A | | |
| FOP-1-2 | 1 | HZZ3-06240-R60 | BOX KIT, REMOTE CONTROL | 1 | (TOP MOUNT DUAL)(R.) |
| FOP-1-2 | 2 | HZW5-06241-U10 | SPACER KIT, REMOTE CONTROL BOX | 1 | (TOP MOUNT DUAL) |
| FOP-1-2 | 3 | HZW5-24810-U01 | HOUSING ASSY., L. INNER | 1 | (TOP MOUNT) |
| FOP-1-2 | 4 | HZW5-24810-U11 | HOUSING ASSY., R. INNER | 1 | (TOP MOUNT) |
| FOP-1-2 | 5 | HZW5-24811-U01 | HANDLE, REMOTE CONTROL | 2 | |
| FOP-1-2 | 6 | HZW5-24812-U01 | COVER, L. GRIP | 1 | |
| FOP-1-2 | 7 | HZW5-24813-U01 | GRIP, REMOTE CONTROL HANDLE | 2 | |
| FOP-1-2 | 8 | HZW5-24813-U21 | COVER, DUAL GRIP | 1 | |
| FOP-1-2 | 9 | HZW5-24814-U01 | CAP, GRIP | 2 | |
| FOP-1-2 | 10 | HZW5-24816-U01 | BUTTON, THROTTLE | 2 | |
| FOP-1-2 | 11 | HZW5-24817-U01 | PLATE, HANDLE | 2 | |
| FOP-1-2 | 12 | HZW5-24818-U01 | PLATE, CABLE CLAMP | 1 | |
| FOP-1-2 | 13 | HZW5-24819-U01 | BRACKET, REMOTE CONTROL | 2 | HOUSING |
| FOP-1-2 | 14 | HZZ3-24820-R21 | HOUSING COMP., REMOTE CONTROL | 1 | BOX(DUAL) |
| FOP-1-2 | 15 | HZW5-24825-U01 | HOUSING, LEAD | 2 | |
| FOP-1-2 | 16 | HZW5-24826-U01 | PLATE, DWELL | 2 | |
| FOP-1-2 | 17 | HZW5-24831-U01 | TERMINAL, CABLE | 4 | |
| FOP-1-2 | 18 | HZW5-24832-U01 | SPACER, CABLE CLAMP | 2 | |
| FOP-1-2 | 19 | HZW5-24834-U21 | PACKING, DUAL | 1 | |
| FOP-1-2 | 20 | HZW7-32530-U00 | SUB HARNESS ASSY., POWER | 1 | TRIM-TILT(A) |
| FOP-1-2 | 21 | HZW7-32530-U10 | SUB HARNESS ASSY., POWER | 1 | TRIM-TILT(B) |
| FOP-1-2 | 22 | HZW5-35370-U02 | SWITCH ASSY., POWER TRIM-TILT | 1 | (A) |
| FOP-1-2 | 23 | HZW5-35370-U12 | SWITCH ASSY., POWER TRIM-TILT | 1 | (B) |
| FOP-1-2 | 24 | HZZ3-87703-R01 | MARK, REMOTE CONTROL(DUAL) | 1 | |
| FOP-1-2 | 25 | HZW5-90101-U00 | SCREW, PAN, 5X16 | 3 | |
| FOP-1-2 | 26 | HZW5-90102-U00 | SCREW, PAN, 5X10 | 2 | |
| FOP-1-2 | 27 | HZW5-90103-U01 | SCREW, PAN, 5X20 | 4 | |
| FOP-1-2 | 28 | HZW5-90104-U00 | SCREW, PAN, 5X18 | 4 | |
| FOP-1-2 | 29 | HZW5-90105-U01 | SCREW, PAN, 4X10 | 4 | |



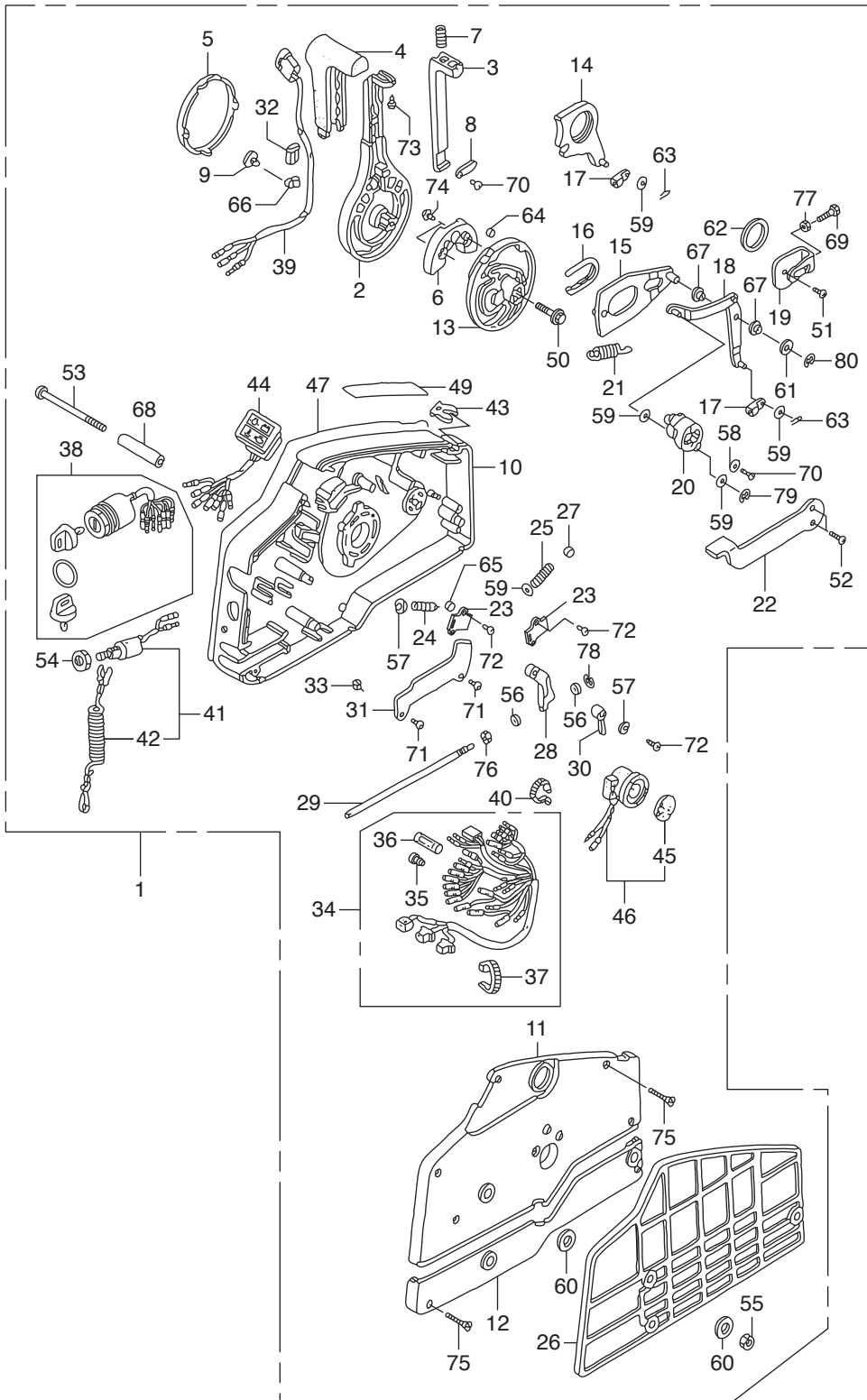
| Ref.No. | Part No. | Description | Q'ty | Remarks | |
|---------|----------|--------------------|--------------------|---------|--|
| | | | BFT250A | | |
| FOP-1-2 | 30 | HZW5-90106-U00 | SCREW, PAN, 6X18 | 4 | |
| FOP-1-2 | 31 | HZW5-90107-U00 | SCREW, PAN, 5X40 | 4 | |
| FOP-1-2 | 32 | HZW5-90108-U00 | SCREW, PAN, 5X55 | 1 | |
| FOP-1-2 | 33 | HZW5-90301-U00 | NUT, HEX., 5MM | 4 | |
| FOP-1-2 | 34 | HZW5-90302-U21 | NUT, HEX., 5MM | 1 | |
| FOP-1-2 | 35 | HZW5-90501-U00 | WASHER, LOCK, 5MM | 8 | |
| FOP-1-2 | 36 | HZV4-90502-000 | WASHER, PLAIN, 5MM | 4 | |
| FOP-1-2 | 37 | HZW5-90502-U00 | WASHER, LOCK, 6MM | 4 | |
| FOP-1-2 | 38 | HZW5-90503-U00 | WASHER, PLAIN, 5MM | 4 | |
| FOP-1-2 | 39 | HCO-93500-05065-4J | SCREW, PAN, 5X65 | 4 | |
| FOP-1-2 | 40 | HCO-94001-05490-0S | NUT, HEX., 5MM | 4 | |
| FOP-1-2 | 41 | HCO-94540-06029 | E-RING, 6MM | 4 | |
| | | | | | |
| | | | | | |
| | | | | | |
| | | | | | |
| | | | | | |
| | | | | | |
| | | | | | |
| | | | | | |
| | | | | | |
| | | | | | |
| | | | | | |
| | | | | | |
| | | | | | |
| | | | | | |
| | | | | | |
| | | | | | |
| | | | | | |
| | | | | | |
| | | | | | |
| | | | | | |
| | | | | | |
| | | | | | |
| | | | | | |
| | | | | | |
| | | | | | |
| | | | | | |



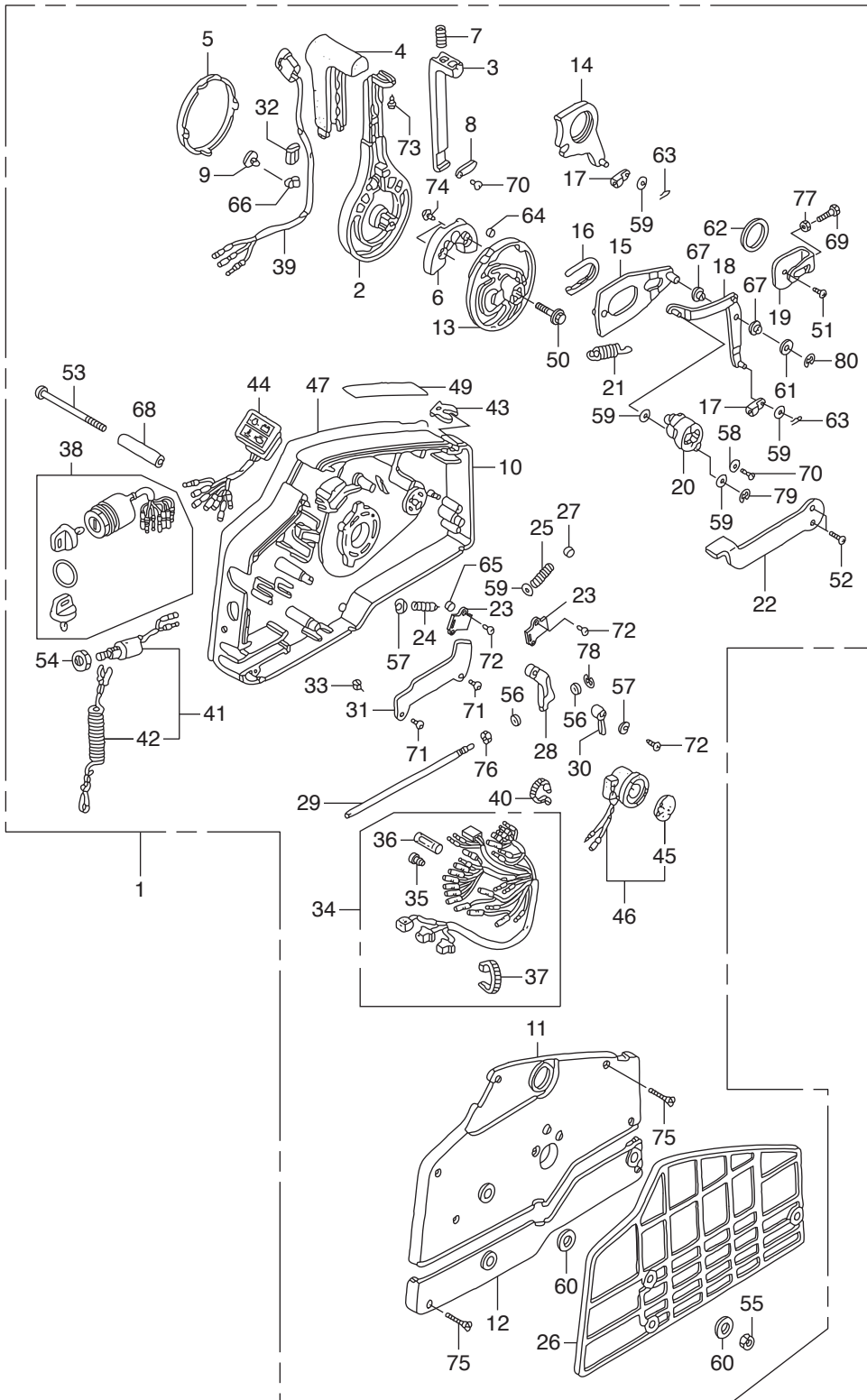
| Ref.No. | Part No. | Description | Q' ty | Remarks | |
|---------|----------|-----------------|-------------------------------|---------|-------------------|
| | | | BFT250A | | |
| FOP-1-4 | 1 | HZZ3-06240-R40 | BOX KIT, REMOTE CONTROL | 1 | (FLUSH MOUNT)(R.) |
| FOP-1-4 | 2 | HZW7-24810-U01 | HOUSING ASSY., R. INNER | 1 | (FLUSH MOUNT) |
| FOP-1-4 | 3 | HZW7-24811-U01 | HANDLE, REMOTE CONTROL | 1 | |
| FOP-1-4 | 4 | HZW7-24812-U01 | COVER, GRIP | 1 | |
| FOP-1-4 | 5 | HZW7-24813-U01 | ARM, NEUTRAL LOCK | 1 | |
| FOP-1-4 | 6 | HZW7-24814-U01 | COVER, LOCK ARM | 1 | |
| FOP-1-4 | 7 | HZW7-24815-U01 | SPRING, NEUTRAL LOCK ARM | 1 | |
| FOP-1-4 | 8 | HZW5-24816-U01 | BUTTON, THROTTLE | 1 | |
| FOP-1-4 | 9 | HZW7-24817-U01 | SHAFT, THROTTLE BUTTON | 1 | |
| FOP-1-4 | 10 | HZW5-24826-U01 | PLATE, DWELL | 1 | |
| FOP-1-4 | 11 | HZZ3-24830-R41 | COVER ASSY. | 1 | |
| FOP-1-4 | 12 | HZW5-24831-U01 | TERMINAL, CABLE | 2 | |
| FOP-1-4 | 13 | HZW5-24832-U01 | SPACER, CABLE CLAMP | 1 | |
| FOP-1-4 | 14 | HZW7-24832-U01 | HOLDER, NEUTRAL LOCK | 1 | |
| FOP-1-4 | 15 | HZW7-24833-U01 | BASE | 1 | |
| FOP-1-4 | 16 | HZW7-32530-U20 | SUB HARNESS ASSY., POWER | 1 | TRIM-TILT(C) |
| FOP-1-4 | 17 | HZW7-35370-U02 | SWITCH ASSY., POWER TRIM-TILT | 1 | (C) |
| FOP-1-4 | 18 | HZZ3-87701-R40 | MARK, HANDLE FLUSH MOUNT | 1 | |
| FOP-1-4 | 19 | HZW7-87703-U00 | MARK, FLUSH MOUNT | 1 | |
| FOP-1-4 | 20 | HZW5-90101-U00 | SCREW, PAN, 5X16 | 1 | |
| FOP-1-4 | 21 | HZW7-90101-U01 | SCREW, TRUSS, 4X12 | 1 | |
| FOP-1-4 | 22 | HZW7-90102-U01 | SCREW, PAN, 5X30 | 4 | |
| FOP-1-4 | 23 | HZW7-90103-U01 | SCREW, PAN, 6X35 | 3 | |
| FOP-1-4 | 24 | HZW7-90104-U01 | SCREW, TAPPING, 6X30 | 3 | |
| FOP-1-4 | 25 | HZW7-90301-U01 | NUT, HEX., 6MM | 3 | |
| FOP-1-4 | 26 | HZW5-90501-U00 | WASHER, LOCK, 5MM | 4 | |
| FOP-1-4 | 27 | HZW7-90502-U00 | WASHER, PLAIN, 6MM | 3 | |
| FOP-1-4 | 28 | HCO-94540-06029 | E-RING, 6MM | 2 | |
| | | | | | |



| Ref.No. | Part No. | Description | Q' ty | Remarks | |
|---------|----------|----------------|--------------------------------|---------|--------|
| | | | BFT250A | | |
| FOP-1-6 | 1 | HZZ3-24800-R00 | BOX ASSY., REMOTE CONTROL(EU) | 1 | |
| FOP-1-6 | 2 | HZV5-24811-010 | HANDLE, REMOTE CONTROL | 1 | |
| FOP-1-6 | 3 | HZV5-24812-000 | LEVER, HANDLE LOCK | 1 | |
| FOP-1-6 | 4 | HZV5-24813-000 | GRIP, REMOTE CONTROL HANDLE | 1 | |
| FOP-1-6 | 5 | HZV5-24814-010 | CAP, HANDLE | 1 | |
| FOP-1-6 | 6 | HZV5-24815-010 | BLOCK, NEUTRAL LOCK | 1 | |
| FOP-1-6 | 7 | HZV5-24816-000 | SPRING, REMOTE CONTROL HANDLE | 1 | |
| FOP-1-6 | 8 | HZV5-24817-000 | PLATE, LEVER SETTING | 1 | |
| FOP-1-6 | 9 | HZV5-24818-003 | CLAMP, HARNESS | 1 | |
| FOP-1-6 | 10 | HZV5-24820-010 | HOUSING COMP., REMOTE CONTROL | 1 | BOX(A) |
| FOP-1-6 | 11 | HZV5-24830-010 | HOUSING COMP., REMOTE CONTROL | 1 | BOX(B) |
| FOP-1-6 | 12 | HZV5-24836-000 | HOUSING, REMOTE CONTROL BOX(C) | 1 | |
| FOP-1-6 | 13 | HZV5-24841-000 | WHEEL, CONTROL | 1 | |
| FOP-1-6 | 14 | HZV5-24845-000 | ARM COMP., SHIFT LINK | 1 | |
| FOP-1-6 | 15 | HZV5-24850-000 | PLATE COMP., SLIDING | 1 | |
| FOP-1-6 | 16 | HZV5-24854-000 | COLLAR, SLIDING PLATE | 1 | |
| FOP-1-6 | 17 | HZV5-24855-000 | PIVOT, SHIFT | 2 | |
| FOP-1-6 | 18 | HZV5-24860-000 | ARM COMP., LINK JOINT | 1 | |
| FOP-1-6 | 19 | HZV5-24865-000 | BRACKET, LINK JOINT | 1 | |
| FOP-1-6 | 20 | HZV5-24875-000 | WHEEL, ACCELERATOR | 1 | |
| FOP-1-6 | 21 | HZV5-24876-000 | SPRING, ACCELERATOR WHEEL | 1 | |
| FOP-1-6 | 22 | HZV5-24878-000 | LEVER, IDLE | 1 | |
| FOP-1-6 | 23 | HZV5-24881-000 | PLATE, SPRING SETTING | 2 | |
| FOP-1-6 | 24 | HZV5-24883-000 | SPRING, SHIFT CLICK | 1 | |
| FOP-1-6 | 25 | HZV5-24884-000 | SPRING, CHOKE RETURN | 1 | |
| FOP-1-6 | 26 | HZV5-24885-000 | SPACER, REMOTE CONTROL BOX | 1 | |
| FOP-1-6 | 27 | HZV5-24887-000 | SPACER, CLICK SPRING | 1 | |
| FOP-1-6 | 28 | HZV5-24891-000 | BLOCK, THROTTLE FRICTION | 1 | |
| FOP-1-6 | 29 | HZV5-24892-000 | BOLT, FRICTION | 1 | |



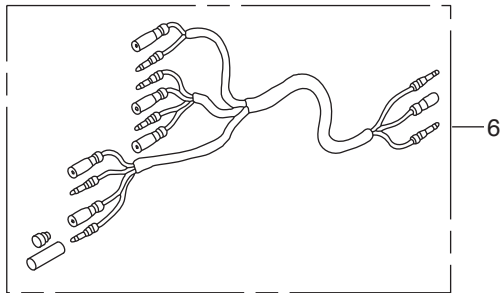
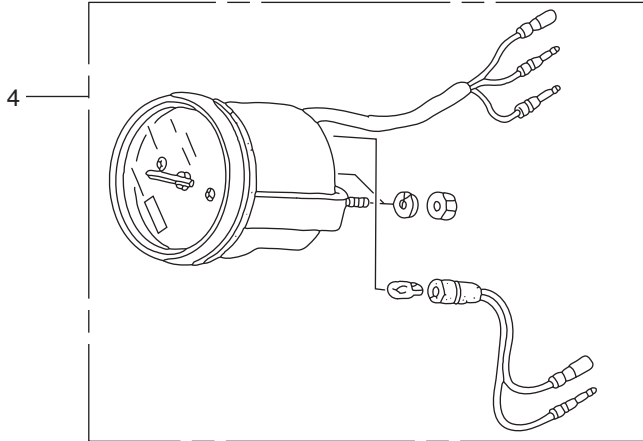
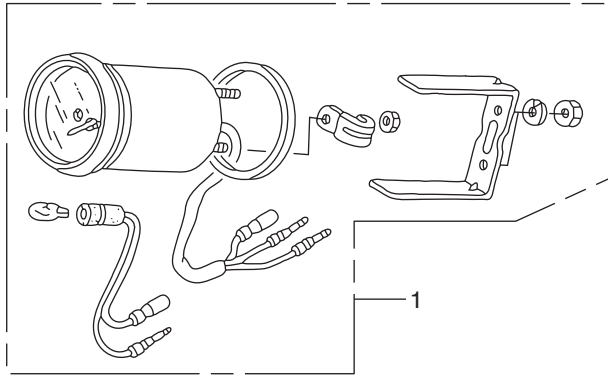
| Ref.No. | Part No. | Description | Q' ty | Remarks | |
|---------|----------|----------------|--------------------------------|---------|--|
| | | | BFT250A | | |
| FOP-1-6 | 30 | HZV5-24894-000 | SPACER, NEUTRAL SWITCH | 1 | |
| FOP-1-6 | 31 | HZV5-24895-000 | CLAMP, POWER TILT CORD | 1 | |
| FOP-1-6 | 32 | HZV5-24897-000 | PIPE, HARNESS GUIDE | 1 | |
| FOP-1-6 | 33 | HZV5-24898-000 | SPACER, CABLE CLAMP | 1 | |
| FOP-1-6 | 34 | HZZ5-32530-000 | CABLE ASSY., REMOTE CONTROL(B) | 1 | |
| FOP-1-6 | 35 | HZV5-32823-003 | PLUG, INNER CONNECTOR | 7 | |
| FOP-1-6 | 36 | HZV5-32824-003 | PLUG, OUTER CONNECTOR | 1 | |
| FOP-1-6 | 37 | H952-32901-770 | TIE, CABLE(NATURAL)(2.4X92) | 1 | |
| FOP-1-6 | 38 | HZZ3-35100-R11 | SWITCH ASSY., COMBINATION | 1 | |
| FOP-1-6 | 39 | HZV5-35370-823 | SWITCH ASSY., POWER TRIM-TILT | 1 | |
| FOP-1-6 | 40 | HMG9-35701-950 | BAND(BLACK 3.5X140) | 1 | |
| FOP-1-6 | 41 | HZV5-36180-033 | SWITCH ASSY., EMERGENCY STOP | 1 | |
| FOP-1-6 | 42 | HZV4-36182-651 | CORD COMP., EMERGENCY | 1 | |
| FOP-1-6 | 43 | HZV4-36187-652 | CLIP, EMERGENCY LOCK | 1 | |
| FOP-1-6 | 44 | HZZ5-37210-013 | LAMP ASSY., INDICATION | 1 | |
| FOP-1-6 | 45 | H341-38403-672 | PLATE, WINKER BUZZER | 1 | |
| FOP-1-6 | 46 | HZV5-38410-003 | BUZZER COMP., WARNING | 1 | |
| FOP-1-6 | 47 | HZZ3-87701-R00 | PLATE, REMOTE CONTROL | 1 | |
| FOP-1-6 | 49 | HZW9-87702-800 | MARK, FAST IDLE | 1 | |
| FOP-1-6 | 50 | HZW9-90008-000 | BOLT, FLANGE, 8X35 | 1 | |
| FOP-1-6 | 51 | HMM4-90105-000 | SCREW, PAN, 6X10 | 1 | |
| FOP-1-6 | 52 | HZW4-90108-000 | SCREW, FLAT, 5X12 | 2 | |
| FOP-1-6 | 53 | HZV5-90125-000 | SCREW, 6X95 | 3 | |
| FOP-1-6 | 54 | H921-90302-000 | NUT, HEX., 16MM | 1 | |
| FOP-1-6 | 55 | HZV4-90304-000 | NUT, HEX., 6MM | 3 | |
| FOP-1-6 | 56 | HZW4-90401-000 | WASHER, PLAIN, 4MM | 2 | |
| FOP-1-6 | 57 | HZW4-90402-000 | WASHER, PLAIN, 5MM | 2 | |
| FOP-1-6 | 58 | HZV4-90502-000 | WASHER, PLAIN, 5MM | 1 | |
| FOP-1-6 | 59 | H921-90504-010 | WASHER, PLAIN, 6MM | 5 | |

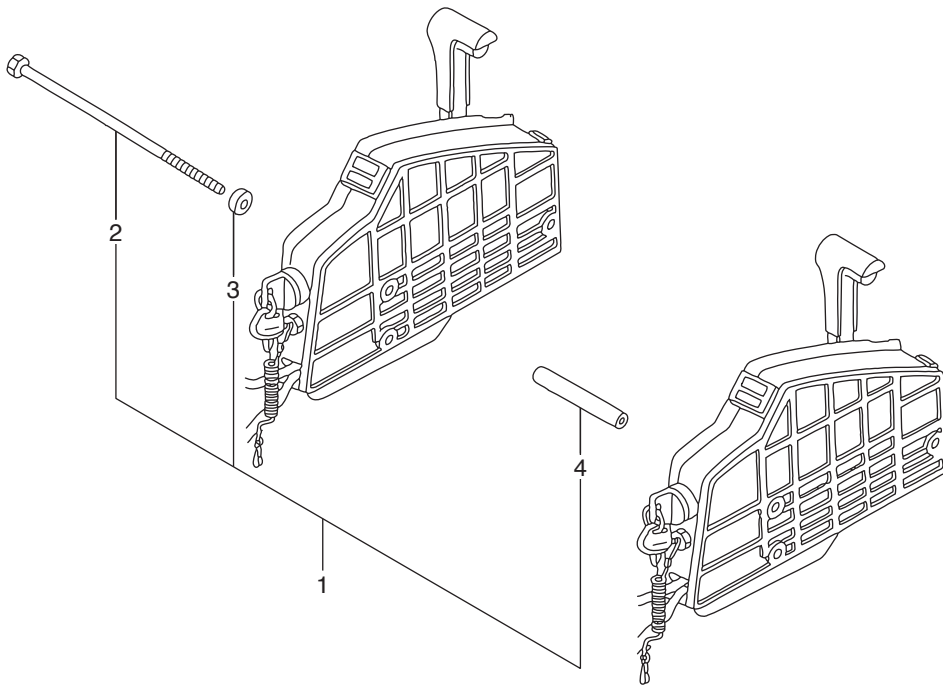


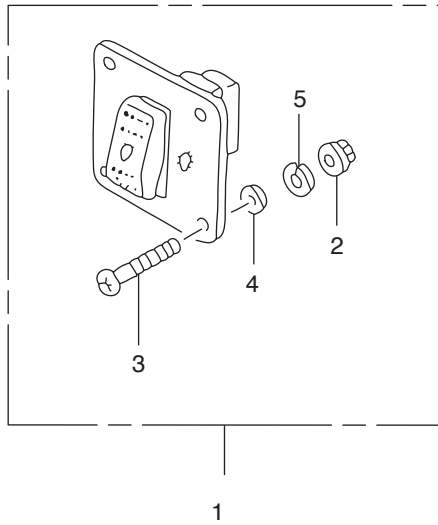
| Ref.No. | | Part No. | Description | Q' ty | Remarks |
|---------|----|--------------------|-----------------------------|---------|---------|
| | | | | BFT250A | |
| FOP-1-6 | 60 | H921-90512-010 | WASHER, 6MM | 6 | |
| FOP-1-6 | 61 | H921-90518-000 | WASHER, PLAIN, 8MM | 1 | |
| FOP-1-6 | 62 | HZV5-90557-000 | WASHER, 28MM | 1 | |
| FOP-1-6 | 63 | HZV5-90751-000 | PIN, LOCK, 6MM | 2 | |
| FOP-1-6 | 64 | HZV5-90772-000 | PIN, 6X6 | 1 | |
| FOP-1-6 | 65 | HZV5-91151-000 | ROLLER, CLICK | 1 | |
| FOP-1-6 | 66 | HSB6-91475-000 | CLIP, WIRE HARNESS(6.3MM) | 1 | |
| FOP-1-6 | 67 | HZV5-91567-000 | COLLAR, LINK JOINT | 2 | |
| FOP-1-6 | 68 | HZV5-91570-000 | COLLAR, DISTANCE, 6X10X43.5 | 3 | |
| FOP-1-6 | 69 | HCO-92101-05016-4J | BOLT, HEX., 5X16 | 1 | |
| FOP-1-6 | 70 | HCO-93500-05010-4J | SCREW, PAN, 5X10 | 2 | |
| FOP-1-6 | 71 | HCO-93901-250J0 | SCREW, TAPPING, 5X8 | 2 | |
| FOP-1-6 | 72 | HCO-93901-251J0 | SCREW, TAPPING, 5X10 | 3 | |
| FOP-1-6 | 73 | HCO-93901-252J0 | SCREW, TAPPING, 5X12 | 1 | |
| FOP-1-6 | 74 | HCO-93903-262J0 | SCREW, TAPPING, 6X16 | 2 | |
| FOP-1-6 | 75 | HCO-93905-255J0 | SCREW, TAPPING, 5X25 | 7 | |
| FOP-1-6 | 76 | HCO-94001-06490-0S | NUT, HEX., 6MM | 1 | |
| FOP-1-6 | 77 | HCO-94002-05490-0S | NUT, HEX., 5MM | 1 | |
| FOP-1-6 | 78 | HCO-94540-03029 | E-RING, 3MM | 1 | |
| FOP-1-6 | 79 | HCO-94540-04029 | E-RING, 4MM | 1 | |
| FOP-1-6 | 80 | HCO-94540-07029 | E-RING, 7MM | 1 | |
| | | | | | |
| | | | | | |
| | | | | | |
| | | | | | |
| | | | | | |
| | | | | | |
| | | | | | |
| | | | | | |
| | | | | | |
| | | | | | |
| | | | | | |
| | | | | | |
| | | | | | |
| | | | | | |
| | | | | | |
| | | | | | |
| | | | | | |
| | | | | | |
| | | | | | |
| | | | | | |
| | | | | | |
| | | | | | |
| | | | | | |
| | | | | | |
| | | | | | |

FOP-3

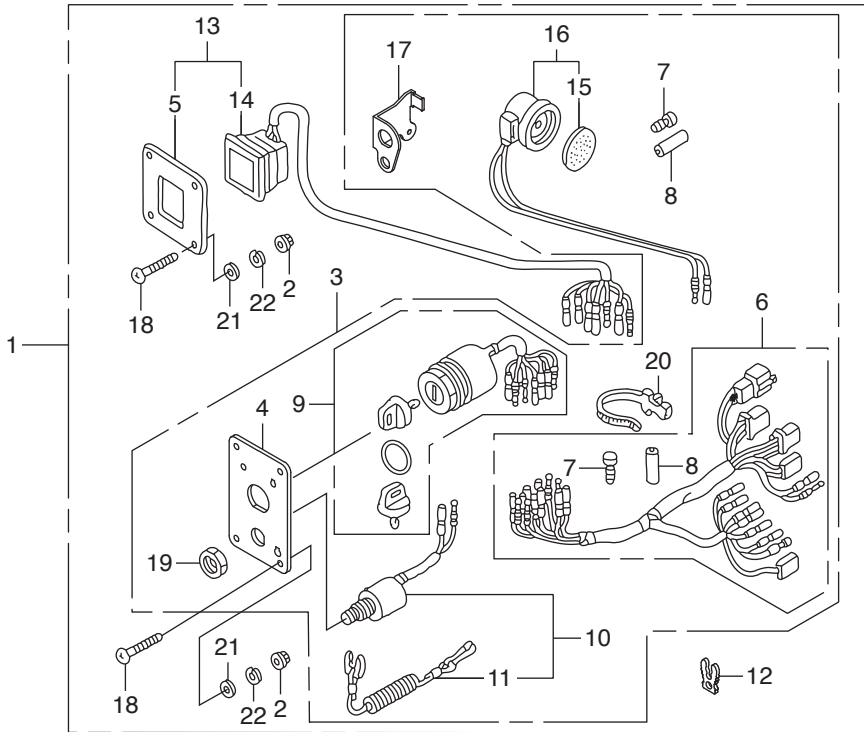
METER



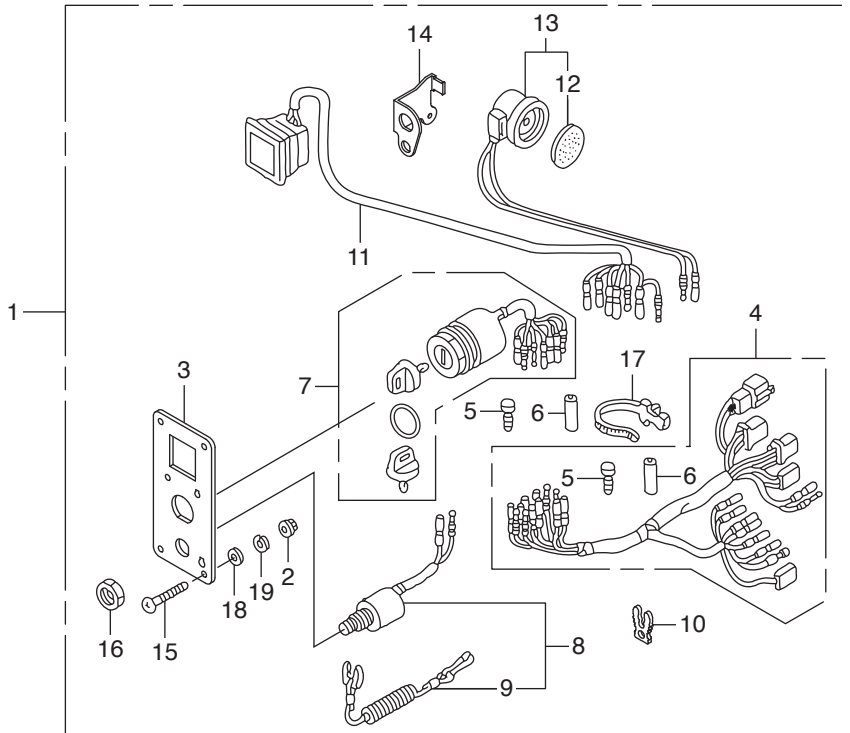




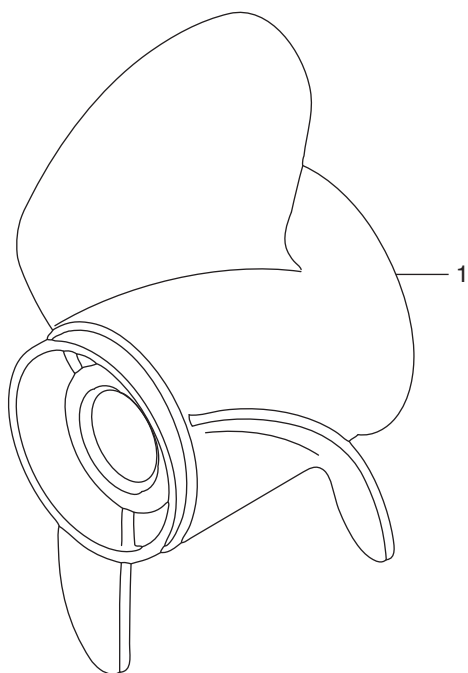
| Ref.No. | Part No. | Description | Q' ty | Remarks | |
|---------|----------|-----------------|---------------------|---------|--|
| | | | BFT250A | | |
| FOP-6 | 1 | HZW5-06352-U01 | SWITCH KIT, LIGHT | 1 | |
| FOP-6 | 2 | HMT8-18334-770 | NUT, FLANGE, 5MM | 4 | |
| FOP-6 | 3 | HZW5-90109-000 | SCREW, PAN, 5X40 | 4 | |
| FOP-6 | 4 | HCO-94103-05400 | WASHER, PLAIN, 5MM | 4 | |
| FOP-6 | 5 | HCO-94111-05400 | WASHER, SPRING, 5MM | 4 | |
| | | | | | |
| | | | | | |
| | | | | | |
| | | | | | |
| | | | | | |
| | | | | | |
| | | | | | |
| | | | | | |
| | | | | | |
| | | | | | |
| | | | | | |
| | | | | | |
| | | | | | |
| | | | | | |
| | | | | | |
| | | | | | |
| | | | | | |
| | | | | | |
| | | | | | |
| | | | | | |
| | | | | | |
| | | | | | |
| | | | | | |
| | | | | | |
| | | | | | |
| | | | | | |
| | | | | | |
| | | | | | |
| | | | | | |
| | | | | | |
| | | | | | |
| | | | | | |
| | | | | | |
| | | | | | |
| | | | | | |
| | | | | | |
| | | | | | |

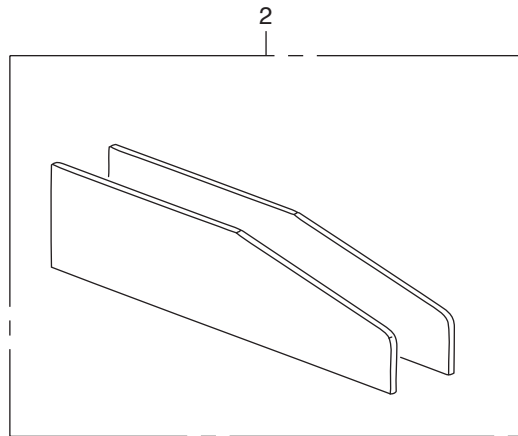
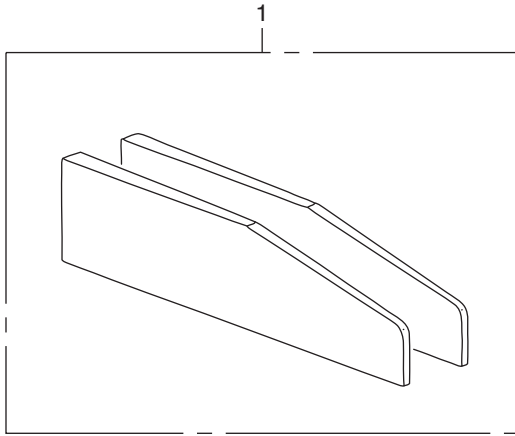


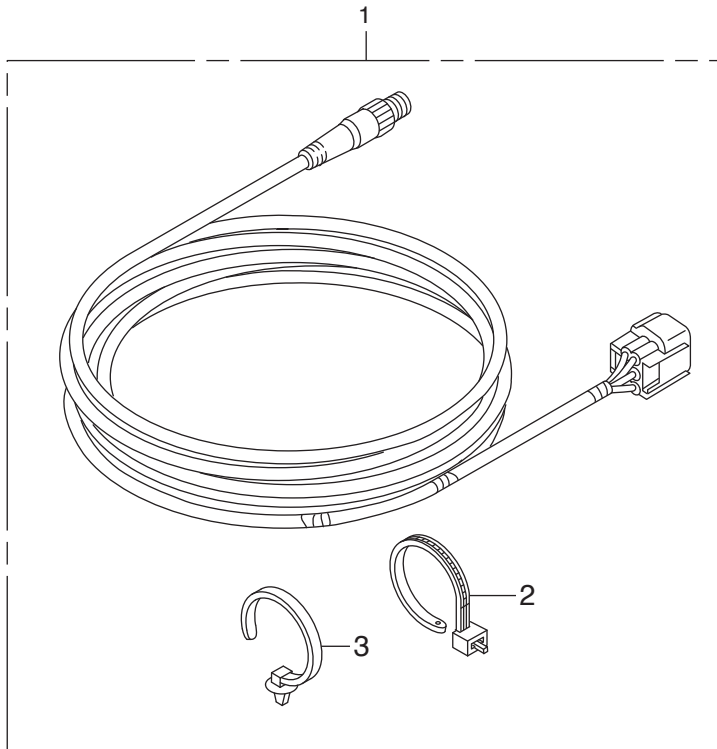
| Ref.No. | Part No. | Description | Q' ty | Remarks | |
|---------|----------|-----------------|-------------------------------|---------|---------|
| | | | BFT250A | | |
| FOP-7 | 1 | HZZ3-06323-R20 | PANEL KIT, SWITCH(4-LED) | 1 | |
| FOP-7 | 2 | HMT8-18334-770 | NUT, FLANGE, 5MM | 8 | |
| FOP-7 | 3 | HZZ3-32341-R31 | PANEL ASSY., SWITCH | 1 | |
| FOP-7 | 4 | HZZ3-32346-R21 | PANEL, CONTROL | 1 | |
| FOP-7 | 5 | HZZ3-32347-R01 | PANEL, CONTROL | 1 | |
| FOP-7 | 6 | HZZ5-32545-000 | HARNESS ASSY., SWITCH PANEL | 1 | |
| FOP-7 | 7 | HZV5-32823-003 | PLUG, INNER CONNECTOR | 8 | |
| FOP-7 | 8 | HZV5-32824-003 | PLUG, OUTER CONNECTOR | 3 | |
| FOP-7 | 9 | HZZ3-35100-R11 | SWITCH ASSY., COMBINATION | 1 | |
| FOP-7 | 10 | HZV5-36180-033 | SWITCH ASSY., EMERGENCY STOP | 1 | |
| FOP-7 | 11 | HZV4-36182-651 | CORD COMP., EMERGENCY | 1 | |
| FOP-7 | 12 | HZV4-36187-652 | CLIP, EMERGENCY LOCK | 1 | |
| FOP-7 | 13 | HZZ3-37205-R01 | PANEL ASSY., INDICATOR(4-LED) | 1 | |
| FOP-7 | 14 | HZZ5-37210-762 | LAMP ASSY., INDICATION(4-LED) | 1 | |
| FOP-7 | 15 | H341-38403-672 | PLATE, WINKER BUZZER | 1 | |
| FOP-7 | 16 | HZV5-38410-003 | BUZZER COMP., WARNING | 1 | |
| FOP-7 | 17 | HZZ5-38414-003 | BRACKET, BUZZER | 1 | |
| FOP-7 | 18 | HZW5-90109-000 | SCREW, PAN, 5X40 | 8 | |
| FOP-7 | 19 | H921-90302-000 | NUT, HEX., 16MM | 1 | |
| FOP-7 | 20 | HSC2-90649-003 | BAND, WIRE HARNESS(NATURAL) | 1 | (150MM) |
| FOP-7 | 21 | HCO-94103-05400 | WASHER, PLAIN, 5MM | 8 | |
| FOP-7 | 22 | HCO-94111-05400 | WASHER, SPRING, 5MM | 8 | |
| | | | | | |
| | | | | | |
| | | | | | |
| | | | | | |
| | | | | | |
| | | | | | |
| | | | | | |
| | | | | | |
| | | | | | |

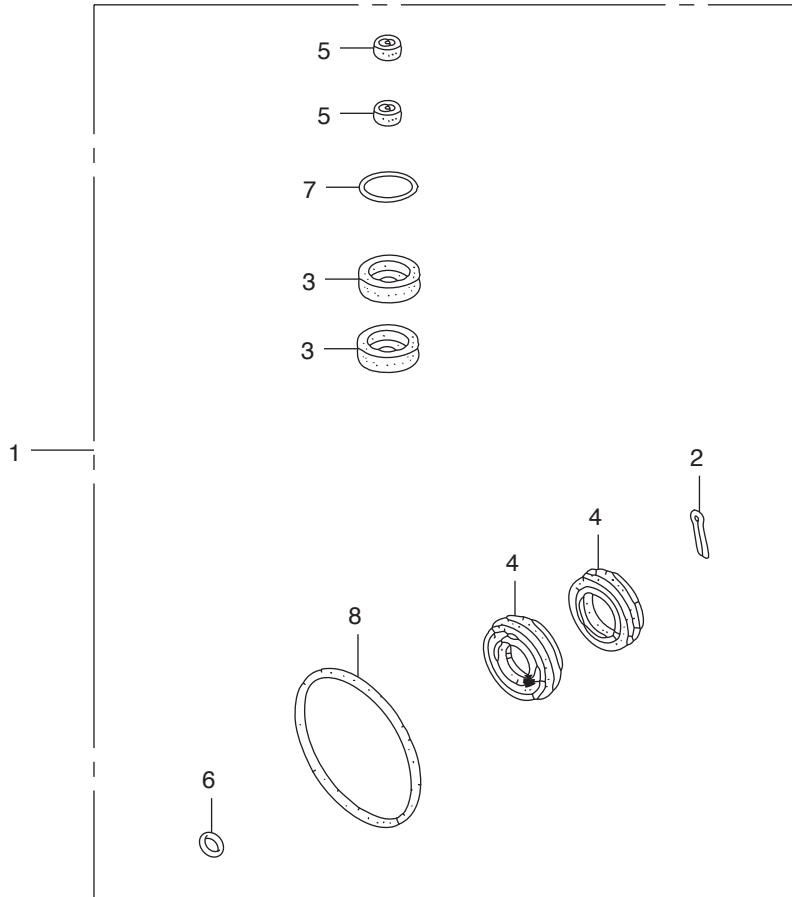


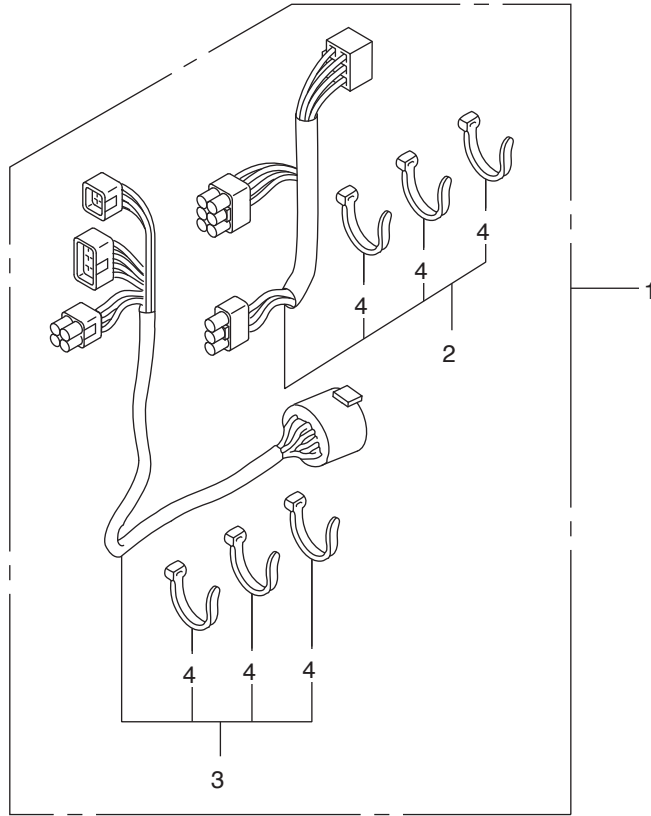
| Ref.No. | Part No. | Description | Q' ty | Remarks | |
|---------|----------|-----------------|-------------------------------|---------|---------|
| | | | BFT250A | | |
| FOP-7-1 | 1 | HZZ3-06323-R30 | PANEL KIT, SWITCH(4-LED) | 1 | |
| FOP-7-1 | 2 | HMT8-18334-770 | NUT, FLANGE, 5MM | 4 | |
| FOP-7-1 | 3 | HZZ3-32346-R31 | PANEL, CONTROL | 1 | |
| FOP-7-1 | 4 | HZZ5-32545-000 | HARNESS ASSY., SWITCH PANEL | 1 | |
| FOP-7-1 | 5 | HZV5-32823-003 | PLUG, INNER CONNECTOR | 8 | |
| FOP-7-1 | 6 | HZV5-32824-003 | PLUG, OUTER CONNECTOR | 3 | |
| FOP-7-1 | 7 | HZZ3-35100-R11 | SWITCH ASSY., COMBINATION | 1 | |
| FOP-7-1 | 8 | HZV5-36180-033 | SWITCH ASSY., EMERGENCY STOP | 1 | |
| FOP-7-1 | 9 | HZV4-36182-651 | CORD COMP., EMERGENCY | 1 | |
| FOP-7-1 | 10 | HZV4-36187-652 | CLIP, EMERGENCY LOCK | 1 | |
| FOP-7-1 | 11 | HZZ5-37210-712 | LAMP ASSY., INDICATION(4-LED) | 1 | |
| FOP-7-1 | 12 | H341-38403-672 | PLATE, WINKER BUZZER | 1 | |
| FOP-7-1 | 13 | HZV5-38410-003 | BUZZER COMP., WARNING | 1 | |
| FOP-7-1 | 14 | HZZ5-38414-003 | BRACKET, BUZZER | 1 | |
| FOP-7-1 | 15 | HZW5-90109-000 | SCREW, PAN, 5X40 | 4 | |
| FOP-7-1 | 16 | H921-90302-000 | NUT, HEX., 16MM | 1 | |
| FOP-7-1 | 17 | HSC2-90649-003 | BAND, WIRE HARNESS(NATURAL) | 1 | (150MM) |
| FOP-7-1 | 18 | HCO-94103-05400 | WASHER, PLAIN, 5MM | 4 | |
| FOP-7-1 | 19 | HCO-94111-05400 | WASHER, SPRING, 5MM | 4 | |
| | | | | | |
| | | | | | |
| | | | | | |
| | | | | | |
| | | | | | |
| | | | | | |
| | | | | | |
| | | | | | |
| | | | | | |
| | | | | | |
| | | | | | |
| | | | | | |
| | | | | | |











INDEX

| | | | |
|-------------------------------------|------------|-----------------------------------|------------|
| <A> | | | |
| ARM ASSY., INTAKE ROCKER..... | E-9-10-4 | BOLT, CONNECTING ROD | E-7-6 |
| ARM COMP. A, EX. ROCKER | E-9-10-5 | BOLT, COVER LOCK | F-8-12 |
| ARM COMP. B, EX. ROCKER | E-9-10-6 | BOLT, DRAIN PLUG | E-6-11 |
| ARM COMP., LINK JOINT | FOP-1-6-18 | BOLT, DRAIN PLUG | F-3-14 |
| ARM COMP., SHIFT LINK | FOP-1-6-14 | BOLT, FLANGE, 10X110 | E-21-20 |
| ARM, FUEL PUMP ROCKER | E-9-10-3 | BOLT, FLANGE, 10X120(SATO)..... | E-6-20-2 |
| ARM, NEUTRAL LOCK | FOP-1-4-5 | BOLT, FLANGE, 10X40 | E-13-26 |
| ARM, SHIFT | F-2-9 | BOLT, FLANGE, 10X43 | E-13-27 |
| ARM, THROTTLE | F-2-3 | BOLT, FLANGE, 10X55 | E-3-10-10 |
| ARMATURE COMP..... | F-11-7 | BOLT, FLANGE, 10X70 | E-6-20-11 |
| | | BOLT, FLANGE, 10X90 | E-19-21 |
| BAG, TOOL, 200MM | F-13-13 | BOLT, FLANGE, 10X90 | E-21-19 |
| BALL, STEEL | E-21-6 | BOLT, FLANGE, 12X120 | E-6-20-12 |
| BALL, STEEL, #12(3/8) | F-5-33 | BOLT, FLANGE, 12X95 | E-3-28 |
| BALL, STEEL, #12(3/8) | F-5-1-36 | BOLT, FLANGE, 5X10 | E-14-10-17 |
| BALL, STEEL, #7(7/32) | F-5-32 | BOLT, FLANGE, 5X14 | E-13-10-9 |
| BALL, STEEL, #7(7/32) | F-5-1-35 | BOLT, FLANGE, 6X10 | E-14-22 |
| BAND | E-18-42 | BOLT, FLANGE, 6X10 | E-18-1-25 |
| BAND(BLACK 3.5X140) | F-11-3 | BOLT, FLANGE, 6X10 | E-20-10-8 |
| BAND(BLACK 3.5X140) | FOP-1-6-40 | BOLT, FLANGE, 6X10 | F-7-10-15 |
| BAND, AIR FLOW | E-15-8 | BOLT, FLANGE, 6X11 | F-2-24 |
| BAND, TUBE CLIP, 12.5MM | F-8-20-4 | BOLT, FLANGE, 6X12 | E-18-51 |
| BAND, UNDER CASE GROMMET | F-8-10-4 | BOLT, FLANGE, 6X12 | E-18-1-26 |
| BAND, WIRE | F-10-6 | BOLT, FLANGE, 6X12 | F-2-26 |
| BAND, WIRE | F-10-76 | BOLT, FLANGE, 6X12 | F-7-3 |
| BAND, WIRE HARNESS | F-7-10-20 | BOLT, FLANGE, 6X12 | F-7-10-14 |
| BAND, WIRE HARNESS(NATURAL) | FOP-7-20 | BOLT, FLANGE, 6X12 | F-8-10-29 |
| BAND, WIRE HARNESS(NATURAL) | FOP-7-1-17 | BOLT, FLANGE, 6X12 | F-10-37 |
| BASE | FOP-1-4-15 | BOLT, FLANGE, 6X14 | E-3-35 |
| BASE COMP., TIMING BELT | E-13-10 | BOLT, FLANGE, 6X14 | E-5-21 |
| BASE, L. INJECTOR | E-14-13 | BOLT, FLANGE, 6X14 | E-14-21 |
| BASE, R. INJECTOR | E-14-11 | BOLT, FLANGE, 6X14 | E-18-50 |
| BEARING A, CONNECTING ROD | E-7-8 | BOLT, FLANGE, 6X14 | F-8-10-27 |
| BEARING A, MAIN LOWER(BLACK) | E-7-12 | BOLT, FLANGE, 6X14(CT200) | E-1-16 |
| BEARING A, MAIN UPPER(BLACK) | E-7-10 | BOLT, FLANGE, 6X14(CT200) | E-13-20 |
| BEARING B, CONNECTING ROD | E-7 | BOLT, FLANGE, 6X14(CT200) | F-2-22 |
| BEARING B, MAIN LOWER(BROWN) | E-7 | BOLT, FLANGE, 6X16 | E-3-33 |
| BEARING B, MAIN UPPER(BROWN) | E-7 | BOLT, FLANGE, 6X16 | E-13-23 |
| BEARING C, CONNECTING ROD | E-7 | BOLT, FLANGE, 6X16 | E-18-49 |
| BEARING C, MAIN LOWER(GREEN) | E-7 | BOLT, FLANGE, 6X16 | E-19-23 |
| BEARING C, MAIN UPPER(GREEN) | E-7 | BOLT, FLANGE, 6X16 | F-2-23 |
| BEARING D, CONNECTING ROD | E-7 | BOLT, FLANGE, 6X16 | F-4-18 |
| BEARING D, MAIN LOWER(YELLOW) | E-7 | BOLT, FLANGE, 6X18 | E-3-36 |
| BEARING D, MAIN UPPER(YELLOW) | E-7 | BOLT, FLANGE, 6X18 | E-5-22 |
| BEARING E, CONNECTING ROD | E-7 | BOLT, FLANGE, 6X20 | E-20-10-9 |
| BEARING E, MAIN LOWER(PINK) | E-7 | BOLT, FLANGE, 6X20 | F-7-20-7 |
| BEARING E, MAIN UPPER(PINK) | E-7 | BOLT, FLANGE, 6X20 | F-8-11 |
| BEARING F, MAIN LOWER(RED) | E-7 | BOLT, FLANGE, 6X20 | F-8-10-30 |
| BEARING F, MAIN UPPER(RED) | E-7 | BOLT, FLANGE, 6X20 | F-10-34 |
| BEARING, FR. GENERATOR | E-19-3 | BOLT, FLANGE, 6X20 | F-8-11 |
| BEARING, NEEDLE, 20X28X13 | E-6-10-34 | BOLT, FLANGE, 6X22 | E-3-37 |
| BEARING, NEEDLE, 28X39X30 | F-5-26 | BOLT, FLANGE, 6X22 | E-3-10-8 |
| BEARING, NEEDLE, 28X39X30 | F-5-1-29 | BOLT, FLANGE, 6X22 | E-6-10-24 |
| BEARING, NEEDLE, 30.5X47X37 | F-4-25 | BOLT, FLANGE, 6X22 | E-13-24 |
| BEARING, NEEDLE, 32X42X30 | F-5-27 | BOLT, FLANGE, 6X22 | E-14-10-14 |
| BEARING, NEEDLE, 32X42X30 | F-5-1-30 | BOLT, FLANGE, 6X22 | E-15-21 |
| BEARING, NEEDLE, 50X72X4.5 | F-5-1-25 | BOLT, FLANGE, 6X23 | F-10-35 |
| BEARING, RADIAL BALL | F-5-25 | BOLT, FLANGE, 6X25 | E-14-19 |
| BEARING, RADIAL BALL | F-5-1-28 | BOLT, FLANGE, 6X25 | E-18-48 |
| BEARING, RR. GENERATOR | E-19-2 | BOLT, FLANGE, 6X32 | E-3-10-9 |
| BEARING, TAPER ROLLER | F-4-26 | BOLT, FLANGE, 6X32 | E-6-10-25 |
| BEARING, TAPER ROLLER | F-5-24 | BOLT, FLANGE, 6X32 | E-14-10-16 |
| BEARING, THRUST NEEDLE | F-5-1-27 | BOLT, FLANGE, 6X35 | E-1-17 |
| BEARING, THRUST(F) | F-5-23 | BOLT, FLANGE, 6X35 | E-3-34 |
| BEARING, THRUST(F) | F-5-1-24 | BOLT, FLANGE, 6X35 | E-4-16 |
| BELT, A.C. GENERATOR | E-13-17 | BOLT, FLANGE, 6X35 | E-14-20 |
| BELT, TIMING(197YU26 B-333) | E-13-6 | BOLT, FLANGE, 6X37 | E-3-10-11 |
| BLOCK ASSY., CYLINDER | E-3-3 | BOLT, FLANGE, 6X40 | E-6-10-31 |
| BLOCK, NEUTRAL LOCK | FOP-1-6-6 | BOLT, FLANGE, 6X55 | E-3-10-14 |
| BLOCK, THROTTLE FRICTION | FOP-1-6-28 | BOLT, FLANGE, 6X60 | E-4-18 |
| BODY | E-18-3 | BOLT, FLANGE, 6X60 | E-15-22 |
| BODY, OIL JET | E-3-13 | BOLT, FLANGE, 8X100 | E-6-10-27 |
| BOLT A, THROUGH | E-21-14 | BOLT, FLANGE, 8X18 | F-7-10-16 |
| BOLT COMP., OIL JET | E-3-14 | BOLT, FLANGE, 8X20 | E-9-12 |
| BOLT KIT, SIDE REMOTE CONTROL | FOP-5-1 | BOLT, FLANGE, 8X22 | F-8-10-31 |
| BOLT, 1/4-28UNF | F-10-36 | BOLT, FLANGE, 8X25 | E-3-10-15 |
| BOLT, 12MM | E-5-13 | BOLT, FLANGE, 8X28 | E-9-13 |
| BOLT, 3/8-24UNF | F-10-43 | BOLT, FLANGE, 8X30 | E-5-23 |
| | | BOLT, FLANGE, 8X30 | E-6-10-29 |
| | | BOLT, FLANGE, 8X30 | E-9-10-18 |
| | | BOLT, FLANGE, 8X32 | E-1-18 |
| | | BOLT, FLANGE, 8X35 | E-18-52 |
| | | BOLT, FLANGE, 8X35 | FOP-1-6-50 |
| | | BOLT, FLANGE, 8X40 | E-4-19 |
| | | BOLT, FLANGE, 8X40 | E-9-10-19 |
| | | BOLT, FLANGE, 8X45 | E-1-19 |
| | | BOLT, FLANGE, 8X50 | E-3-40 |
| | | BOLT, FLANGE, 8X50 | E-14-10-18 |
| | | BOLT, FLANGE, 8X60 | E-4-17 |
| | | BOLT, FLANGE, 8X65 | E-15-23 |
| | | BOLT, FLANGE, 8X75 | E-3-38 |
| | | BOLT, FRICTION | FOP-1-6-29 |
| | | BOLT, HEX | F-11-34 |
| | | BOLT, HEX, 10X235 | F-10-41 |
| | | BOLT, HEX, 10X35 | F-3-20-32 |
| | | BOLT, HEX, 10X60 | E-6-20-6 |
| | | BOLT, HEX, 10X85 | E-6-20-5 |
| | | BOLT, HEX, 12X120 | E-6-20-3 |
| | | BOLT, HEX, 12X130 | F-10-46 |
| | | BOLT, HEX, 12X200 | F-10-39 |
| | | BOLT, HEX, 12X45 | F-5-13 |
| | | BOLT, HEX, 12X45 | F-5-1-13 |
| | | BOLT, HEX, 12X50 | F-3-20-37 |
| | | BOLT, HEX, 12X65 | E-6-20-4 |
| | | BOLT, HEX, 14X180 | F-3-20-33 |
| | | BOLT, HEX, 5X16 | FOP-1-6-69 |
| | | BOLT, HEX, 6X14 | F-10-42 |
| | | BOLT, HEX, 6X16 | E-6-10 |
| | | BOLT, HEX, 6X16 | F-2-27 |
| | | BOLT, HEX, 6X55 | F-3-26 |
| | | BOLT, HEX, 8X28 | E-6-9 |
| | | BOLT, HEX, 8X35 | E-6-8 |
| | | BOLT, HEX, 8X35 | F-8-10-26 |
| | | BOLT, IDLER | E-13-13 |
| | | BOLT, OIL CHECK | F-3-10 |
| | | BOLT, RECESSED | F-11-31 |
| | | BOLT, SEALING, 18MM | E-5-10 |
| | | BOLT, SEALING, 22MM | E-3-6 |
| | | BOLT, SEALING, 22MM | E-3-39 |
| | | BOLT, SEALING, 22MM | E-3-10-12 |
| | | BOLT, SEALING, 22MM | E-5-25 |
| | | BOLT, SEALING, 6MM | E-18-46 |
| | | BOLT, SOCKET(A) | F-11-32 |
| | | BOLT, SOCKET(B) | F-11-33 |
| | | BOLT, SOCKET, 6X16 | F-8-13 |
| | | BOLT, SPECIAL ADJUSTER | E-19-22 |
| | | BOLT, SPECIAL, 6X12 | F-3-20-38 |
| | | BOLT, SPECIAL, 6X17 | F-3-20-35 |
| | | BOLT, SPECIAL, 6X22 | F-3-20-36 |
| | | BOLT, SPECIAL, 6X220 | FOP-5-2 |
| | | BOLT, SPECIAL, 6X37 | F-3-20-39 |
| | | BOLT, SPECIAL, 8MM | E-5-14 |
| | | BOLT, SPECIAL, 8X29 | E-13-10-8 |
| | | BOLT, STUD, 10X45 | E-6-10-26 |
| | | BOLT, STUD, 12X40 | F-3-15 |
| | | BOLT, STUD, 6X68 | E-19-8 |
| | | BOLT, STUD, 8X28 | E-14-23 |
| | | BOLT, STUD, 8X45 | E-14-24 |
| | | BOLT, TENSIONER | E-19-24 |
| | | BOLT, TIMING BELT ADJUSTING | E-13-21 |
| | | BOLT, TIMING BELT COVER | E-13-10-7 |
| | | BOLT, TIMING BELT IDLER A | E-13-14 |
| | | BOLT, WASHER, 6X121 | E-6-10-28 |
| | | BOLT, WASHER, 8X60 | F-4-17 |
| | | BOLT-WASHER, 10X109 | E-3-29 |
| | | BOLT-WASHER, 10X32 | F-3-12 |
| | | BOLT-WASHER, 10X32 | F-10-38 |
| | | BOLT-WASHER, 10X47 | F-3-13 |
| | | BOLT-WASHER, 10X60 | E-3-30 |
| | | BOLT-WASHER, 10X80 | E-3-31 |
| | | BOLT-WASHER, 11X105 | E-3-32 |
| | | BOLT-WASHER, 12X163 | E-9-11 |
| | | BOLT-WASHER, 12X35 | E-13-25 |
| | | BOLT-WASHER, 16X49 | E-13-22 |
| | | BOLT-WASHER, 5X18 | E-14-10-15 |
| | | BOLT-WASHER, 5X30 | E-15-20 |
| | | BOLT-WASHER, 6X16 | F-2-25 |
| | | BOLT-WASHER, 6X25 | E-15-19 |

| | | | | | |
|--------------------------------|------------|----------------------------|------------|------------------------------|------------|
| BOLT-WASHER, 6X25 | F-3-20-31 | CAP COMP., OIL TANK | F-11-30 | CLIP, TUBE(B8) | F-10-65 |
| BOLT-WASHER, 6X25 | F-7-10-13 | CAP, BOLT, 10MM | E-3-10-13 | CLIP, WIRE | E-18-10-21 |
| BOLT-WASHER, 6X27 | E-20-4 | CAP, GRIP | FOP-1-7 | CLIP, WIRE HARNESS | E-18-1-32 |
| BOLT-WASHER, 6X27(CT200) | E-20-10-7 | CAP, GRIP | FOP-1-2-9 | CLIP, WIRE HARNESS | F-7-4 |
| BOLT-WASHER, 6X27(CT200) | F-7-10-12 | CAP, HANDLE | FOP-1-6-5 | CLIP, WIRE HARNESS | F-7-10-21 |
| BOLT-WASHER, 6X29 | E-6-10-30 | CAP, L. SIDE COVER | F-8-10-24 | CLIP, WIRE HARNESS | F-7-10-22 |
| BOLT-WASHER, 8X35 | E-18-47 | CAP, OIL(YELLOW) | E-3-10-5 | CLIP, WIRE HARNESS | F-10-67 |
| BOSS, FLYWHEEL | E-5-12 | CAP, SWITCH | FOP-1-8 | CLIP, WIRE HARNESS(6.3MM) | FOP-1-6-66 |
| BOX ASSY., JUNCTION | F-7-20-1 | CAP, TIMING BELT TENSIONER | E-13-8 | CLIP, WIRE HARNESS, 10MM | E-14-26 |
| BOX ASSY., REMOTE CONTROL(EU) | FOP-1-6-1 | CAP, UNDER COVER | F-3-20-24 | CLIP, WIRE HARNESS, 25MM | E-18-1-31 |
| BOX KIT, REMOTE CONTROL | FOP-1-1 | CAP, WATER JOINT | F-3-20-4 | CLIP, WIRE HARNESS, 25MM | E-20-10-10 |
| BOX KIT, REMOTE CONTROL | FOP-1-2-1 | CARTRIDGE, OIL FILTER | E-3-10-4 | CLIP, WIRE HARNESS, 25MM | F-3-20-49 |
| BOX KIT, REMOTE CONTROL | FOP-1-4-1 | CASE ASSY., GEAR(L) | F-3-10-1 | CLUTCH COMP., OVERRUNNING | E-21-3 |
| BRACKET A, RR. COVER | F-8-10-8 | CASE ASSY., GEAR(XL) | F-3-10- | CLUTCH COMP., OVERRUNNING | E-21- |
| BRACKET ASSY. | F-11-6 | CASE ASSY., GEAR(XL) | F-3-10- | COCK ASSY., FUEL DRAIN | E-18-1-24 |
| BRACKET B, HARNESS CLIP | E-3-22 | CASE ASSY., OIL SEAL | E-3-2 | COIL COMP., PLUG HOLE | E-20-2 |
| BRACKET B, RR. COVER | F-8-10-9 | CASE COMP., GEAR | F-3-27 | COLLAR | E-18-23 |
| BRACKET C, COUPLER | F-7-10-2 | CASE COMP., MOUNT | E-6-10-22 | COLLAR | E-18-26 |
| BRACKET C, HARNESS CLIP | E-1-12 | CASE COMP., PUMP | E-18-27 | COLLAR, 6.2X10X25.5 | F-3-20-52 |
| BRACKET, A.C. GENERATOR FUSE | E-20-10-3 | CASE KIT, GEAR | FOP-12-1 | COLLAR, 8.5X14.5 | E-18-56 |
| BRACKET, BUZZER | FOP-7-17 | CASE, ELECTRONIC PARTS | E-20-10-1 | COLLAR, 8.5X14.5 | F-8-10-38 |
| BRACKET, BUZZER | FOP-7-1-14 | CASE, EXTENSION | F-3-20-10 | COLLAR, C.D.I. UNIT CASE | E-15-26 |
| BRACKET, CABLE | F-8-10-1 | CASE, EXTENSION | F-3-20- | COLLAR, C.D.I. UNIT CASE | E-20-5 |
| BRACKET, CLIP B | E-1-11 | CASE, FLUSH VALVE | E-6-10-7 | COLLAR, C.D.I. UNIT CASE | E-20-10-11 |
| BRACKET, CLIP B | E-3-21 | CASE, GEAR | F-3-3 | COLLAR, C.D.I. UNIT CASE | F-7-10-25 |
| BRACKET, COUPLER D | E-13-18 | CASE, POWER TILT RELAY | F-7-10-11 | COLLAR, DISTANCE | F-4-33 |
| BRACKET, ECU | E-20-10-5 | CASE, SWIVEL | F-10-20 | COLLAR, DISTANCE(A) | FOP-5-3 |
| BRACKET, FR | E-21-10 | CASE, SWIVEL | F-10- | COLLAR, DISTANCE(B) | FOP-5-4 |
| BRACKET, FR. COVER | F-8-10-5 | CIRCLIP, EXTERNAL, 15MM | F-5-31 | COLLAR, DISTANCE, 6.5X9X3 | F-8-16 |
| BRACKET, HARNESS CLIP A | E-14-17 | CIRCLIP, EXTERNAL, 15MM | F-5-1-34 | COLLAR, DISTANCE, 6.5X9X5 | F-3-20- |
| BRACKET, HOOK | F-8-4 | CIRCLIP, EXTERNAL, 39MM | F-10-66 | COLLAR, DISTANCE, 6X10.5X25 | F-3-20-53 |
| BRACKET, L. SIDE COVER | F-8-10-7 | CIRCLIP, INTERNAL | F-11-38 | COLLAR, DISTANCE, 6X10X43.5 | FOP-1-6-68 |
| BRACKET, L. STERN | F-10-25 | CIRCLIP, INTERNAL, 43 | F-3-20-48 | COLLAR, LINK JOINT | FOP-1-6-67 |
| BRACKET, LINK JOINT | FOP-1-6-19 | CIRCLIP, INTERNAL, 47MM | F-4-37 | COLLAR, LOWER CYLINDER | F-10-33 |
| BRACKET, NEUTRAL SWITCH | F-2-19 | CLAMP | F-6-5 | COLLAR, MOUNTING(6MM) | F-7-10-23 |
| BRACKET, R. SIDE COVER | F-8-10-6 | CLAMP | F-6-8 | COLLAR, ORIFICE | F-11-50 |
| BRACKET, R. STERN | F-10-24 | CLAMP, CHECK VALVE | E-18-10-2 | COLLAR, SHIFT SLIDER | F-2-11 |
| BRACKET, REMOTE CONTROL | FOP-1-12 | CLAMP, FUEL TUBE | E-18-10-22 | COLLAR, SLIDING PLATE | FOP-1-6-16 |
| BRACKET, REMOTE CONTROL | FOP-1-2-13 | CLAMP, HARNESS | FOP-1-6-9 | COLLAR, STEERING ROD | F-10-71 |
| BRACKET, RR | E-21-11 | CLAMP, HOSE | E-18-10-10 | COLLAR, TIMING BELT COVER | E-13-10-10 |
| BRACKET, SENSOR CORD | E-14-10-8 | CLAMP, POWER TILT CORD | FOP-1-6-31 | CONTROL UNIT, ELECTRONIC | E-20-10-4 |
| BRACKET, SHIFT LINK | F-2-16 | CLAMP, TUBE | F-10-21 | CORD ASSY., INDICATOR(20FT) | FOP-13-2 |
| BRACKET, SOLENOID VALVE | E-1-6 | CLAMP, TUBE(D10.5) | E-4-20 | CORD ASSY., INDICATOR(25FT) | FOP-13- |
| BRACKET, TILTING | F-10-28 | CLAMP, TUBE(D10.5) | E-18-10-25 | CORD ASSY., INDICATOR(30FT) | FOP-13- |
| BREAKER ASSY. | F-11-1 | CLAMP, TUBE(D10.7) | E-18-10-19 | CORD COMP., EMERGENCY | FOP-1-6-42 |
| BRUSH ASSY. | F-11-2 | CLAMP, TUBE(D21) | E-4-22 | CORD COMP., EMERGENCY | FOP-7-11 |
| BRUSH SET | E-21-7 | CLAMP, TUBE(D29) | E-4-21 | CORD COMP., EMERGENCY | FOP-7-1-9 |
| BRUSH SET | E-21- | CLAMP, TUBE(D32.5) | E-1-21 | CORD, A.C. GENERATOR | F-7-10-8 |
| BUFFER, PLATE | E-18-1-6 | CLAMP, WIRE, 8MM | E-18-1-30 | CORD, SWITCH | E-3-23 |
| BUSH A, COVER LOCK | F-8-10-15 | CLAMPER, SENSOR TUBE | F-10-12 | COTTER, VALVE(FUJI VALVE) | E-9-10-17 |
| BUSH A, THRUST RECEIVE | F-10-31 | CLIP A, WIRE | E-1-13 | COVER ASSY. | FOP-1-4-11 |
| BUSH B, COVER LOCK | F-8-10-16 | CLIP D, SPEEDOMETER CABLE | E-14-18 | COVER ASSY., COOLING FAN | E-15-29 |
| BUSH B, THRUST RECEIVE | F-10-32 | CLIP D, WASHER TUBE | E-1-28 | COVER ASSY., CRANKCASE UPPER | E-3-1 |
| BUSH COMP., VERTICAL SHAFT | F-3-20-12 | CLIP, 10.7MM | F-11-37 | COVER ASSY., ENGINE | F-8-2 |
| BUSH, INSULATION | E-19-4 | CLIP, BRAKE PIPE | F-2-21 | COVER ASSY., L. TIMING BELT | E-13-10-3 |
| BUSH, INSULATION | E-19-18 | CLIP, EMERGENCY LOCK | FOP-1-6-43 | COVER ASSY., R. TIMING BELT | E-13-10-2 |
| BUSH, LOWER CYLINDER | F-11-27 | CLIP, EMERGENCY LOCK | FOP-7-12 | COVER B, TERMINAL | F-7-10-6 |
| BUSH, MOTOR CODE | F-11-21 | CLIP, EMERGENCY LOCK | FOP-7-1-10 | COVER B, TERMINAL(L) | F-7-10-5 |
| BUSH, SHIFT ARM | F-2-15 | CLIP, HARNESS | E-1-23 | COVER COMP. | E-18-4 |
| BUSH, SWIVEL CASE | F-10-23 | CLIP, HARNESS | E-18-54 | COVER COMP., FUSE | F-7-20-2 |
| BUSH, SWIVEL CASE | F-11-12 | CLIP, HARNESS | F-8-10-36 | COVER COMP., INTAKE MANIFOLD | E-14-10-5 |
| BUSH, TILT ARM | F-10-27 | CLIP, HARNESS BAND(BLACK) | E-3-50 | COVER COMP., L. UNDER ENGINE | F-3-20-21 |
| BUTTON, THROTTLE | FOP-1-9 | CLIP, HARNESS BAND(BLACK) | E-13-10-11 | COVER COMP., R. UNDER ENGINE | F-3-20-20 |
| BUTTON, THROTTLE | FOP-1-2-10 | CLIP, HARNESS BAND(BLACK) | F-2-41 | COVER, BEARING | E-19-5 |
| BUTTON, THROTTLE | FOP-1-4-8 | CLIP, HARNESS BAND(BLACK) | F-7-5 | COVER, DRAIN PLUG(L) | F-3-20-13 |
| BUZZER COMP., WARNING | FOP-1-6-46 | CLIP, HARNESS BAND(BLACK) | F-7-10-24 | COVER, DRAIN PLUG(XL) | F-3-20- |
| BUZZER COMP., WARNING | FOP-7-16 | CLIP, HARNESS BAND(BLACK) | F-8-10-37 | COVER, DUAL GRIP | FOP-1-2-8 |
| BUZZER COMP., WARNING | FOP-7-1-13 | CLIP, HARNESS BAND(BLACK) | FOP-10-3 | COVER, FLUSH VALVE | E-6-10-6 |
| <C> | | CLIP, INJECTOR | E-14-2 | COVER, FR. | F-8-6 |
| CABLE ASSY., POWER TILT RELAY | F-7-10-7 | CLIP, PISTON PIN | E-7-4 | COVER, FR. SEPARATE | F-3-20-9 |
| CABLE ASSY., REMOTE CONTROL(B) | FOP-1-6-34 | CLIP, SENSOR HOSE | E-1-14 | COVER, GEAR CASE | F-3-5 |
| CABLE ASSY., STARTER | F-7-10-3 | CLIP, SHIFT WIRE | E-1-15 | COVER, GRIP | FOP-1-4-4 |
| CABLE ASSY., SWITCH PANEL | FOP-13-3 | CLIP, TUBE | E-6-10-1 | COVER, IMPELLER | F-4-4 |
| CABLE ASSY., SWITCH PANEL | FOP-13- | CLIP, TUBE | E-18-1-1 | COVER, L. CAMSHAFT THRUST | E-9-8 |
| CABLE ASSY., SWITCH PANEL | FOP-13- | CLIP, TUBE | E-18-10-11 | COVER, L. CYLINDER HEAD | E-1-3 |
| CABLE COMP. A, COVER LOCK | F-8-10-12 | CLIP, TUBE(B10) | E-6-10-32 | COVER, L. GRIP | FOP-1-5 |
| CABLE COMP. B, COVER LOCK | F-8-10-13 | CLIP, TUBE(B12) | E-1-22 | COVER, L. GRIP | FOP-1-2-6 |
| CABLE COMP., THROTTLE | E-15-10 | CLIP, TUBE(B12) | E-18-1-28 | COVER, L. LOWER MOUNTING | F-3-20-27 |
| CABLE SET, PANEL INDICATOR | FOP-13-1 | CLIP, TUBE(B12) | E-18-10-20 | COVER, L. RELIEF VALVE | E-6-10-17 |
| CABLE SET, PANEL INDICATOR | FOP-13- | CLIP, TUBE(B12.5) | E-6-10-33 | COVER, L. WATER JACKET | E-6-10-21 |
| CABLE SET, PANEL INDICATOR | FOP-13- | CLIP, TUBE(B12.5) | E-18-1-29 | COVER, LOCK ARM | FOP-1-4-6 |
| CAMSHAFT, L. | E-9-10-2 | CLIP, TUBE(B12.5) | F-3-20-47 | COVER, NEUTRAL SWITCH | F-2-20 |
| CAMSHAFT, R. | E-9-10-1 | CLIP, TUBE(B8) | E-18-1-27 | COVER, OIL LEVEL GAUGE | E-3-16 |

| | | | | | |
|----------------------------------|------------|------------------------------------|------------|--------------------------------------|------------|
| COVER, OIL PUMP | E-5-4 | GEAR COMP., BEVEL(FORWARD)..... | F-5-8 | HOUSING, WATER PUMP..... | F-4-6 |
| COVER, PLUG MAINTENANCE | F-3-20-19 | GEAR COMP., BEVEL(REVERSE)..... | F-5-1-9 | <I> | |
| COVER, PUMP | E-18-28 | GEAR, BEVEL(FORWARD)(24T)..... | F-5-1-8 | IDLER B, TIMING BELT | E-13-15 |
| COVER, PUMP(A)..... | E-18-29 | GEAR, BEVEL(REVERSE)(24T)..... | F-5-9 | IDLER, TIMING BELT(KOYO SEIKO) | E-13-12 |
| COVER, R. CAMSHAFT THRUST | E-9-7 | GEAR, PINION | F-4-16 | IMPELLER, PUMP | F-4-1 |
| COVER, R. CYLINDER HEAD..... | E-1-1 | GEAR, PINION(COUNTER ROTATION) .. | F-4- | INJECTOR ASSY., FUEL | E-14-1 |
| COVER, R. LOWER MOUNTING..... | F-3-20-26 | GENERATOR ASSY., A.C..... | E-19-14 | INSULATOR..... | E-18-31 |
| COVER, R. LOWER MOUNTING..... | F-3-20- | GRIP, REMOTE CONTROL HANDLE..... | FOP-1-6 | INSULATOR COMP. | E-18-30 |
| COVER, R. LOWER MOUNTING..... | F-3-20- | GRIP, REMOTE CONTROL HANDLE..... | FOP-1-2-7 | <J> | |
| COVER, R. RELIEF VALVE..... | E-6-10-13 | GRIP, REMOTE CONTROL HANDLE..... | FOP-1-6-4 | JOINT A, VACUUM TUBE | E-14-10-7 |
| COVER, R. WATER JACKET | E-6-10-19 | GRIP, SCREW DRIVER..... | F-13-16 | JOINT ASSY (INLET) | F-6-2 |
| COVER, STARTER TERMINAL..... | F-7-10-4 | GROMMET A, UNDER CASE..... | F-8-10-3 | JOINT ASSY (OUTLET)..... | F-6-3 |
| COVER, THERMOSTAT..... | E-4-13 | GROMMET, AIR CLEANER CASE..... | F-8-1 | JOINT ASSY., OIL PIPE | E-3-12 |
| COVER, UPPER MOUNT | F-10-18 | GROMMET, ELECTRONIC PARTS CASE ... | E-20-1 | JOINT B, WASHER TUBE(MITSUBA)..... | F-10-8 |
| COVER, WATER JACKET | E-18-12 | GROMMET, ELECTRONIC PARTS CASE ... | E-20-10-2 | JOINT SET | E-18-6 |
| CRANKCASE COMP..... | E-3-10-1 | GROMMET, ELECTRONIC PARTS CASE ... | F-7-10-1 | JOINT, DRIVE | F-11-16 |
| CRANKSHAFT COMP | E-7-9 | GROMMET, EXTENSION CASE | F-4-13 | JOINT, FUEL PIPE | E-14-8 |
| CUP | E-18-1-16 | GROMMET, GEAR CASE | F-3-4 | JOINT, FUEL PIPE | E-18-38 |
| CUP SET, WATER SEPARATOR | E-18-1-5 | GROMMET, L. IDLE PORT | F-3-20-29 | JOINT, FUEL RETURN | E-18-10-12 |
| <D> | | GROMMET, POWER TILT SWITCH | F-3-20-8 | JOINT, FUEL TUBE..... | F-8-20-5 |
| DAMPER, HOOK | F-8-5 | GROMMET, R. IDLE PORT | F-3-20-28 | JOINT, WATER HOSE | F-3-20-2 |
| DOWEL PIN, 10X12 | E-14-30 | GROMMET, RELAY | F-7-10-10 | <K> | |
| DOWEL PIN, 13X37 | E-3-41 | GROMMET, RELAY BRACKET..... | E-20-10-6 | KEY, 4.5X24..... | E-13-28 |
| DOWEL PIN, 14X15 | E-5-15 | GROMMET, SILENCER | E-15-9 | KEY, SPECIAL | E-13-29 |
| DOWEL PIN, 14X15 | E-6-20-9 | GROMMET, TIMING BELT COVER..... | E-13-10-1 | KEY, WOODRUFF | F-4-23 |
| DOWEL PIN, 16X22 | E-9-15 | GROMMET, UNDER CASE..... | E-15-18 | KIT, CABLE(NMEA)(6FT) | FOP-10-1 |
| DOWEL PIN, 5X8 | E-3-54 | GROMMET, UNDER CASE(C)..... | F-3-20-7 | <L> | |
| DOWEL PIN, 6X10..... | E-3-53 | GROMMET, UNDER CASE(C)..... | F-11-10 | LABEL, FUSE & OIL CAUTION | F-12-2 |
| DOWEL PIN, 6X10..... | E-9-14 | GROMMET, VAPOR SEPARATOR | E-18-34 | LAMP ASSY., INDICATION | FOP-1-6-44 |
| DOWEL PIN, 6X10..... | E-9-18 | GROMMET, VAPOR SEPARATOR | E-18-35 | LAMP ASSY., INDICATION(4-LED)..... | FOP-7-14 |
| DOWEL PIN, 6X10..... | E-13-30 | GROMMET, WATER CHECK | F-3-20-30 | LAMP ASSY., INDICATION(4-LED)..... | FOP-7-1-11 |
| DOWEL PIN, 6X10..... | E-15-28 | GROMMET, WATER TUBE..... | E-6-6 | LEVER SET | E-21-18 |
| DOWEL PIN, 6X10..... | F-3-24 | GUIDE COMP., ROD | F-11-18 | LEVER, COVER LOCK | F-8-10-14 |
| DOWEL PIN, 6X10..... | F-3-20-50 | GUIDE, EX. VALVE(OS)..... | E-9-3 | LEVER, HANDLE LOCK..... | FOP-1-6-3 |
| DOWEL PIN, 6X10..... | F-4-24 | GUIDE, IN. VALVE(OS)..... | E-9-2 | LEVER, IDLE..... | FOP-1-6-22 |
| DOWEL PIN, 8X14..... | E-3-10-18 | GUIDE, L. EX..... | E-6-10-5 | LINER, PUMP | F-4-3 |
| DRIVER 3, MINUS SCREW(NO.2)..... | F-13-15 | GUIDE, R. EX..... | E-6-10-2 | LINER, SWIVEL CASE | F-10-22 |
| <E> | | <H> | | LOCK ASSY., FR..... | F-8-10-22 |
| END COVER, RR..... | E-19-17 | HANDLE, REMOTE CONTROL..... | FOP-1-4 | LOCK COMP., SIDE | F-8-10-23 |
| END, NIPPLE..... | F-10-10 | HANDLE, REMOTE CONTROL..... | FOP-1-2-5 | LOW PERMEATION HOSE L=1600 | F-6-7 |
| E-RING, 10MM..... | F-4-34 | HANDLE, REMOTE CONTROL..... | FOP-1-4-3 | LOW PERMEATION HOSE L=700 | F-6-6 |
| E-RING, 12MM | F-2-43 | HANDLE, REMOTE CONTROL..... | FOP-1-6-2 | <M> | |
| E-RING, 15MM | F-11-51 | HANGER, ENGINE | E-3-10-2 | MANIFOLD COMP., INTAKE..... | E-14-10-3 |
| E-RING, 3MM | FOP-1-6-78 | HANGER, ENGINE | E-9-1 | MANIFOLD COMP., L. EX..... | E-4-4 |
| E-RING, 4MM | F-2-42 | HARNESS ASSY., MAIN WIRE..... | F-7-1 | MANIFOLD COMP., R. EX..... | E-4-2 |
| E-RING, 4MM | FOP-1-6-79 | HARNESS ASSY., SWITCH PANEL..... | FOP-7-6 | MARK, FAST IDLE | FOP-1-6-49 |
| E-RING, 6MM | F-8-10-39 | HARNESS ASSY., SWITCH PANEL..... | FOP-7-1-4 | MARK, FLUSH MOUNT | FOP-1-4-19 |
| E-RING, 6MM | FOP-1-36 | HARNESS COMP. | E-18-41 | MARK, FR. EMBLEM(TOHATSU) | F-12-12 |
| E-RING, 6MM | FOP-1-2-41 | HEAD COMP., CYLINDER | E-9-5 | MARK, HANDLE FLUSH MOUNT | FOP-1-4-18 |
| E-RING, 6MM | FOP-1-4-28 | HOLDER..... | E-18-11 | MARK, L. SIDE STRIPE | F-12-11 |
| E-RING, 7MM | FOP-1-6-80 | HOLDER ASSY., BEARING..... | F-5-1-37 | MARK, R. SIDE STRIPE | F-12-4 |
| EXTENSION, OIL FILLER | E-3-10-6 | HOLDER ASSY., BRUSH..... | E-19-1 | MARK, REMOTE CONTROL(DUAL) | FOP-1-2-24 |
| <F> | | HOLDER COMP., BRUSH..... | E-21-9 | MARK, REMOTE CONTROL(SINGLE) | FOP-1-21 |
| FAN, COOLING | E-13-16 | HOLDER COMP., BRUSH..... | E-21- | MARK, RR.(BFT250) | F-12-3 |
| FILTER | E-18-1-12 | HOLDER, BEARING | F-5-12 | MESH, FUEL FILTER | E-14-4 |
| FILTER ASSY., SPOOL VALVE..... | E-3-19 | HOLDER, NEUTRAL LOCK | FOP-1-4-14 | METAL COMP., ANODE..... | F-3-9 |
| FILTER B..... | F-11-19 | HOLDER, OIL FILTER | E-3-10-7 | METAL KIT, ANODE | F-10-1 |
| FLOAT | E-18-1-15 | HOLDER, PROPELLER SHAFT | F-5-11 | METAL, ANODE..... | E-3-4 |
| FLOAT SET | E-18-2 | HOLDER, PROPELLER SHAFT | F-5-1-11 | METAL, ANODE..... | E-3-5 |
| FLYWHEEL COMP..... | E-5-11 | HOLDER, ROD(A) | F-8-20-3 | METAL, ANODE..... | E-4-1 |
| FRAME COMP., MOUNTING(L)..... | F-10-13 | HOLDER, SEAL | F-2-17 | METER LEAD WIRE | FOP-3-6 |
| FRAME COMP., MOUNTING(XL) | F-10- | HOLDER, SHIFT ROD | F-4-12 | MOTION COMP., LOST | E-9-10 |
| FUSE, BLOCK(150A)..... | F-7-20-3 | HOLDER, STRIKER | F-8-10-21 | MOTOR ASSY., POWER TILT | F-11-5 |
| FUSE, MINI(10A)..... | F-7-20-9 | HOSE A, PRESSURE REGULATOR..... | E-18-10-13 | MOTOR ASSY., STARTER | E-21-1 |
| FUSE, MINI(15A)..... | F-7-20-10 | HOSE B, PRESSURE REGULATOR..... | E-18-10-14 | MOUNT COMP., LOWER RUBBER | F-3-20-17 |
| FUSE, MINI(30A)..... | F-7-20-11 | HOSE COMP., FUEL | E-14-9 | MOUNT COMP., UPPER RUBBER | F-10-15 |
| <G> | | HOSE COMP., FUEL JOINT | E-14-10 | <N> | |
| GASKET B, IMPELLER..... | F-4-5 | HOUSING ASSY., L. INNER | FOP-1-3 | NIPPLE, GREASE | F-10-68 |
| GASKET COMP., CYLINDER HEAD..... | E-9-9 | HOUSING ASSY., L. INNER | FOP-1-2-3 | NIPPLE, SENSOR | F-10-11 |
| GASKET, EAC VALVE | E-15-5 | HOUSING ASSY., R. INNER | FOP-1-2-4 | NUT, CASTLE, 18MM | F-5-14 |
| GASKET, EX. PIPE | E-6-4 | HOUSING ASSY., R. INNER | FOP-1-4-2 | NUT, CASTLE, 18MM | F-5-1-14 |
| GASKET, FR. INJECTOR BASE..... | E-14-12 | HOUSING COMP., REMOTE CONTROL.. | FOP-1-13 | NUT, FLANGE CAP, 10MM | E-3-10-16 |
| GASKET, INTAKE MANIFOLD..... | E-14-15 | HOUSING COMP., REMOTE CONTROL.. | FOP-1-2-14 | NUT, FLANGE, 10MM | F-10-51 |
| GASKET, INTAKE MANIFOLD..... | E-14-10-1 | HOUSING COMP., REMOTE CONTROL.. | FOP-1-6-10 | NUT, FLANGE, 12MM | F-10-48 |
| GASKET, L. EX. MANIFOLD..... | E-4-5 | HOUSING COMP., REMOTE CONTROL.. | FOP-1-6-11 | NUT, FLANGE, 5MM..... | FOP-6-2 |
| GASKET, MOUNT CASE..... | E-6-20-1 | HOUSING, IMPELLER..... | F-4-2 | NUT, FLANGE, 5MM..... | FOP-7-2 |
| GASKET, R. EX. MANIFOLD | E-4-3 | HOUSING, LEAD | FOP-1-14 | NUT, FLANGE, 5MM..... | FOP-7-1-2 |
| GASKET, RR. INJECTOR BASE | E-14-14 | HOUSING, LEAD | FOP-1-2-15 | NUT, FLANGE, 8MM..... | E-14-25 |
| GASKET, THROTTLE BODY..... | E-15-2 | HOUSING, LOWER CENTER MOUNTING .. | F-10-17 | NUT, FLANGE, 8MM..... | E-14-10-19 |
| GAUGE COMP., OIL LEVEL | E-3-15 | HOUSING, LOWER CENTER MOUNTING .. | F-10- | NUT, FLANGE, 8MM..... | E-19-25 |
| GEAR ASSY., INTERNAL..... | E-21-16 | HOUSING, LOWER MOUNTING | F-3-20-16 | NUT, HEX., 12MM | F-10-72 |
| GEAR ASSY., PLANETARY..... | E-21-4 | HOUSING, REMOTE CONTROL BOX(C) .. | FOP-1-6-12 | NUT, HEX., 16MM | F-3-20-41 |
| GEAR ASSY.,INTERNAL | E-21-24 | HOUSING, UPPER MOUNTING | F-10-14 | NUT, HEX., 16MM..... | FOP-1-6-54 |

| | | | | | |
|----------------------------|------------|--------------------------------|------------|-------------------------------|------------|
| NUT, HEX., 16MM | FOP-7-19 | O-RING, 6.9X1.45 | FOP-12-6 | PLATE, RUBBER SETTING | F-3-1 |
| NUT, HEX., 16MM | FOP-7-1-16 | O-RING, 65.4X2.4 | F-4-32 | PLATE, SHIFT | F-5-7 |
| NUT, HEX., 18MM | F-4-20 | O-RING, 66.4X3.1 | E-4-23 | PLATE, SHIFT | F-5-1-7 |
| NUT, HEX., 20MM | F-2-28 | O-RING, 7.45X3.61(NOK) | E-14-29 | PLATE, SPRING SETTING | FOP-1-6-23 |
| NUT, HEX., 5MM | FOP-1-29 | O-RING, 7.47X3.6 | E-14-28 | PLATE, STARTER CABLE | F-8-10-2 |
| NUT, HEX., 5MM | FOP-1-35 | O-RING, 7.8X1.9(ARAI) | E-14-27 | PLATE, TIMING BELT GUIDE | E-13-2 |
| NUT, HEX., 5MM | FOP-1-2-33 | O-RING, 7.8X1.9(ARAI) | E-18-55 | PLATE, WATER TUBE | E-6-7 |
| NUT, HEX., 5MM | FOP-1-2-34 | O-RING, 8.8X2.4 | E-3-11 | PLATE, WINKER BUZZER | FOP-1-6-45 |
| NUT, HEX., 5MM | FOP-1-2-40 | O-RING, 9.5X1.9 | E-3-44 | PLATE, WINKER BUZZER | FOP-7-15 |
| NUT, HEX., 5MM | FOP-1-6-77 | O-RING, 9.5X1.9 | E-4-24 | PLATE, WINKER BUZZER | FOP-7-1-12 |
| NUT, HEX., 6MM | E-19-27 | O-RING, PRESSURE REGULATOR | E-14-7 | PLUG, BLIND, 20MM | F-8-19 |
| NUT, HEX., 6MM | F-8-18 | O-RING, TIMING BELT TENSIONER | E-13-11 | PLUG, FUEL TUBE | F-8-20-2 |
| NUT, HEX., 6MM | FOP-1-4-25 | O-RING, WATER PUMP | F-4-30 | PLUG, HOLE, 5MM | F-3-20-54 |
| NUT, HEX., 6MM | FOP-1-6-55 | O-RING, WATER PUMP HOUSING | F-4-31 | PLUG, INNER CONNECTOR | FOP-1-6-35 |
| NUT, HEX., 6MM | FOP-1-6-76 | <P> | | PLUG, INNER CONNECTOR | FOP-7-7 |
| NUT, LOCK, 68MM | F-4-19 | PACKING | E-21-17 | PLUG, INNER CONNECTOR | FOP-7-1-5 |
| NUT, PULLEY LOCK | E-19-7 | PACKING | F-11-49 | PLUG, OUTER CONNECTOR | FOP-1-6-36 |
| NUT, SELF-LOCK(25X2.0) | F-10-50 | PACKING, DUAL | FOP-1-2-19 | PLUG, OUTER CONNECTOR | FOP-7-8 |
| NUT, SELF-LOCK(3/8-24UNF) | F-10-52 | PACKING, FLASH VALVE | E-6-10-16 | PLUG, OUTER CONNECTOR | FOP-7-1-6 |
| NUT, SELF-LOCK(7/8-14UNF) | F-10-49 | PACKING, HEAD COVER | E-1-2 | PLUG, SPARK(IZFR6K-11E) | E-20 |
| NUT, SELF-LOCK, 12MM | F-3-21 | PACKING, INTAKE MANIFOLD UP | E-14-10-6 | PLUG, SPARK(IZFR6K-11E) | E-20-3 |
| NUT, SELF-LOCK, 14MM | F-3-20-42 | PACKING, OIL HOLE | E-3-9 | PRIMER BULB | F-6-4 |
| NUT, SELF-LOCK, 5MM | F-3-19 | PACKING, OIL LEVEL GAUGE | E-3-17 | PRIMER BULB ASSY | F-6-1 |
| NUT, SELF-LOCK, 6MM | F-3-18 | PACKING, OIL PAN | E-6-2 | PROPELLER COMP., THREE BLADES | FOP-8-1 |
| NUT, SELF-LOCK, 6MM | F-10-47 | PACKING, OIL PUMP BODY | E-5-2 | PROPELLER COMP., THREE BLADES | FOP-8-8 |
| NUT, TAPPET ADJUSTING | E-9-10-20 | PACKING, RELIEF VALVE | E-6-10-15 | PROPELLER COMP., THREE BLADES | FOP-8-8 |
| NUT, WATER MOUTH | F-3-20-1 | PACKING, RELIEF VALVE COVER | E-6-10-14 | PROPELLER COMP., THREE BLADES | FOP-8-8 |
| NUT-WASHER, 5MM | E-19-26 | PACKING, SINGLE | FOP-1-18 | PROPELLER COMP., THREE BLADES | FOP-8-8 |
| NUT-WASHER, 6MM | F-7-10-18 | PACKING, THROTTLE BODY | E-14-10-2 | PROPELLER COMP., THREE BLADES | FOP-8-8 |
| NUT-WASHER, 8MM | F-7-10-17 | PACKING, WATER JACKET COVER | E-6-10-20 | PROPELLER COMP., THREE BLADES | FOP-8-8 |
| <O> | | PAN, OIL | E-6-1 | PROPELLER COMP., THREE BLADES | FOP-8-8 |
| OIL SEAL | F-11-39 | PANEL ASSY., INDICATOR(4-LED) | FOP-7-13 | PROPELLER COMP., THREE BLADES | FOP-8-8 |
| OIL SEAL, 14X26X6 | F-2-38 | PANEL ASSY., SWITCH | FOP-7-3 | PROPELLER COMP., THREE BLADES | FOP-8-8 |
| OIL SEAL, 31X46X7(NOK) | E-5-17 | PANEL KIT, SWITCH(4-LED) | FOP-7-1 | PROPELLER COMP., THREE BLADES | FOP-8-8 |
| OIL SEAL, 39.5X52X6(ARAI) | F-10-69 | PANEL KIT, SWITCH(4-LED) | FOP-7-1-1 | PROPELLER COMP., THREE BLADES | FOP-8-8 |
| OIL SEAL, 39X53X8(NOK) | E-9-16 | PANEL, CONTROL | FOP-7-4 | PROPELLER COMP., THREE BLADES | FOP-8-8 |
| OIL SEAL, 41X66X8 | E-3-42 | PANEL, CONTROL | FOP-7-5 | PROPELLER COMP., THREE BLADES | FOP-8-8 |
| OIL SEAL, 46X60X9 | E-5-16 | PANEL, CONTROL | FOP-7-1-3 | PULLER, MINI FUSE | F-7-20-4 |
| OIL SEAL, 80X98X10(ARAI) | E-3-43 | PIN B, DOWEL, 10X16 | E-5-20 | PULLEY | E-19-6 |
| ORIFICE ASSY., OIL CONTROL | E-3-10 | PIN B, DOWEL, 10X16 | E-6-20-10 | PULLEY COMP., L. TIMING BELT | E-13-5 |
| O-RING | E-14-10-13 | PIN, 6X6 | FOP-1-6-64 | PULLEY COMP., R. TIMING BELT | E-13-4 |
| O-RING | E-15-25 | PIN, LINK | F-2-36 | PULLEY, CRANKSHAFT | E-13-3 |
| O-RING | E-18-13 | PIN, LOCK, 6MM | FOP-1-6-63 | PULLEY, TIMING BELT DRIVE | E-13-1 |
| O-RING | E-18-14 | PIN, PISTON | E-7-3 | PUMP ASSY. | F-11-14 |
| O-RING | E-18-15 | PIN, SHIFTER, 8X50 | F-5-2 | PUMP ASSY., FUEL | E-1-7 |
| O-RING | E-18-16 | PIN, SHIFTER, 8X50 | F-5-1-2 | PUMP ASSY., OIL | E-5-1 |
| O-RING | E-18-17 | PIN, SNAP, 6MM | F-2-35 | PUMP KIT, IMPELLER | F-4-35 |
| O-RING | E-18-18 | PIN, SPLIT, 4.0 | F-5-22 | PUMP KIT, IMPELLER | F-4-36 |
| O-RING | E-18-19 | PIN, SPLIT, 4.0 | F-5-1-23 | PUMP UNIT SET A, FUEL | E-18-7 |
| O-RING | E-18-1-20 | PIN, SPLIT, 4.0 | FOP-12-2 | PUMP UNIT SET B, FUEL | E-18-9 |
| O-RING | E-18-1-21 | PIN, SPRING, 3X20 | F-10-73 | PUMP UNIT, FUEL | E-18-37 |
| O-RING | E-18-1-23 | PIN, UPPER CYLINDER | F-11-28 | <R> | |
| O-RING | F-4-29 | PIN, VERTICAL SHAFT | E-13-19 | RECEIVER, THRUST | F-10-30 |
| O-RING | FOP-12-7 | PIPE COMP., L. EX | E-6-5 | RECTIFIER ASSY. | E-19-19 |
| O-RING SET, 3.5X31.7 | F-11-47 | PIPE COMP., L. FUEL | E-14-5 | REGULATOR ASSY. | E-19-20 |
| O-RING, 1.8X69.6 | F-11-41 | PIPE COMP., R. EX | E-6-3 | REGULATOR ASSY., PRESSURE | E-14-6 |
| O-RING, 1.8X7.7 | F-11-43 | PIPE, FUEL | E-18-10-7 | RELAY ASSY., FUEL PUMP(DENSO) | F-7-20-5 |
| O-RING, 1.9X11 | F-11-44 | PIPE, HARNESS GUIDE | FOP-1-6-32 | RELAY ASSY., POWER TILT | F-7-10-9 |
| O-RING, 121X3.1 | F-5-30 | PIPE, R. FUEL | E-14-3 | RELAY ASSY., POWER(12V-20A) | F-7-20-6 |
| O-RING, 121X3.1 | F-5-1-33 | PISTON | E-7-2 | RETAINER SPRING | E-7-13 |
| O-RING, 121X3.1 | FOP-12-8 | PISTON COMP., FREE | F-11-24 | RETAINER, VALVE SPRING | E-9-10-15 |
| O-RING, 13X1.5(ARAI) | E-3-48 | PIVOT, SHIFT | F-2-12 | RING | E-18-32 |
| O-RING, 15.54X2.26 | F-10-70 | PIVOT, SHIFT | FOP-1-6-17 | RING SET, PISTON(STD.)(RIKEN) | E-7-1 |
| O-RING, 16.3X3.5 | E-3-47 | PLATE | E-18-10 | RING, BACK UP | F-11-20 |
| O-RING, 16MM | E-6-10-36 | PLATE | E-18-45 | RING, CROSS PIN | F-5-3 |
| O-RING, 18.3X3.5 | E-3-45 | PLATE | E-18-1-22 | RING, CROSS PIN | F-5-1-3 |
| O-RING, 2.0X70.5 | F-11-40 | PLATE COMP., SLIDING | FOP-1-6-15 | RING, INNER(15X20X23) | F-2-37 |
| O-RING, 20.6X2.6 | E-5-18 | PLATE SET, TRANSOM(5.5MM FLAT) | FOP-9-2 | RING, SETTING(39) | F-5-21 |
| O-RING, 23.5X2.2 | E-6-10-39 | PLATE SET, TRIM ADJUST. | FOP-9-1 | RING, STOPPER | F-2-7 |
| O-RING, 25X2.4(NOK) | E-3-49 | PLATE, CABLE CLAMP | FOP-1-11 | RING, WATER TUBE SEAL | F-4-8 |
| O-RING, 26.2X2.4(NOK) | E-3-46 | PLATE, CABLE CLAMP | FOP-1-2-12 | ROD COMP. A, SHIFT(L) | F-4-11 |
| O-RING, 26.9X2.4(NOK) | F-2-40 | PLATE, DWELL | FOP-1-15 | ROD COMP. A, SHIFT(XL) | F-4 |
| O-RING, 26X2.7 | E-3-10-17 | PLATE, DWELL | FOP-1-2-16 | ROD COMP., CONNECTING | E-7-7 |
| O-RING, 3.5X35.7 | F-11-45 | PLATE, DWELL | FOP-1-4-10 | ROD COMP., PISTON | F-11-22 |
| O-RING, 3.5X38.7 | F-11-42 | PLATE, HANDLE | FOP-1-10 | ROD COMP., PISTON(B) | F-11-15 |
| O-RING, 3.5X41.7 | F-11-46 | PLATE, HANDLE | FOP-1-2-11 | ROD COMP., SHIFT | F-4-9 |
| O-RING, 31.5X2.4(ARAI) | E-4-25 | PLATE, INTAKE MANIFOLD CENTER | E-14-10-4 | ROD COMP., SHIFT | F-4 |
| O-RING, 33.5X2.2 | E-6-10-38 | PLATE, L. TIMING BELT COVER | E-13-10-4 | ROD KIT, STEERING | F-10-3 |
| O-RING, 37X2.4(ARAI) | E-1-24 | PLATE, LEVER SETTING | FOP-1-6-8 | ROD, LINK | F-2-10 |
| O-RING, 48.5X2.4 | E-9-17 | PLATE, LOCK | F-2-13 | ROLLER, 3X13.8 | F-5-28 |
| O-RING, 49.4X3.1 | E-6-10-37 | PLATE, R. TIMING BELT COVER | E-13-10-5 | ROLLER, 3X13.8 | F-5-1-31 |
| O-RING, 59.4X3.1 | E-21-23 | PLATE, REMOTE CONTROL | FOP-1-6-47 | ROLLER, 5X8 | E-5-24 |
| O-RING, 6.9X1.45 | F-3-25 | PLATE, REMOTE CONTROL CABLE | F-2-2 | ROLLER, CLICK | FOP-1-6-65 |

| | | | | | |
|----------------------------------|------------|-----------------------------------|------------|-------------------------------------|------------|
| ROTOR ASSY..... | E-19-15 | SEAL B, COVER UNDER..... | F-3-20-23 | SLIDER COMP., SHIFT..... | F-5-1-4 |
| ROTOR COMP..... | E-21-2 | SEAL B, EX. GUIDE..... | E-6-10-4 | SLIDER, SHIFT..... | F-5-5 |
| ROTOR, OIL PUMP INNER..... | E-5-5 | SEAL B, VALVE STEM(NOK)..... | E-9-6 | SLIDER, SHIFT..... | F-5-1-5 |
| ROTOR, OIL PUMP OUTER..... | E-5-6 | SEAL C, UNDER COVER..... | F-3-20-25 | SLINGER, OIL..... | F-4-15 |
| RUBBER C, STAND STOPPER..... | F-3-20-55 | SEAL D, UNDER COVER..... | F-8-10-25 | SPACER KIT, REMOTE CONTROL BOX .. | FOP-1-2 |
| RUBBER, DRAIN PLUG..... | F-3-20-11 | SEAL, ENGINE COVER..... | F-8-3 | SPACER KIT, REMOTE CONTROL BOX .. | FOP-1-2-2 |
| RUBBER, FR. CARRIER CUSHION..... | F-8-10-11 | SEAL, EXHAUST GUIDE..... | E-6-10-3 | SPACER, CABLE CLAMP..... | FOP-1-17 |
| RUBBER, MOUNT CASE SEAL..... | E-6-10-23 | SEAL, L. IDOL PORT..... | F-3-20-15 | SPACER, CABLE CLAMP..... | FOP-1-2-18 |
| RUBBER, OIL PUMP..... | E-5-3 | SEAL, R. IDOL PORT..... | F-3-20-14 | SPACER, CABLE CLAMP..... | FOP-1-4-13 |
| RUBBER, RING..... | E-4-11 | SEAL, SPARK PLUG TUBE(NOK)..... | E-1-4 | SPACER, CABLE CLAMP..... | FOP-1-6-33 |
| RUBBER, STOPPER..... | F-8-10-10 | SEAL, UPPER MOUNT COVER..... | F-10-19 | SPACER, CLICK SPRING..... | FOP-1-6-27 |
| RUBBER, UPPER MOUNT STOPPER..... | F-10-16 | SEAL, WATER..... | F-11-48 | SPACER, INTAKE MANIFOLD..... | E-14-16 |
| <S> | | SEAL, WATER(14X26X8)..... | F-2-39 | SPACER, L. RELIEF VALVE..... | E-6-10-18 |
| SCREEN COMP., FUEL STRAINER..... | E-18-39 | SEAL, WATER, 12X21X6..... | F-4-28 | SPACER, NEUTRAL SWITCH..... | FOP-1-6-30 |
| SCREEN, L. WATER..... | F-3-7 | SEAL, WATER, 12X21X6..... | FOP-12-5 | SPACER, R. RELIEF VALVE..... | E-6-10-12 |
| SCREEN, R. WATER..... | F-3-6 | SEAL, WATER, 22X35X7..... | E-6-10-35 | SPACER, REMOTE CONTROL BOX..... | FOP-1-6-26 |
| SCREW..... | E-19-9 | SEAL, WATER, 26X42X7..... | F-4-27 | SPACER, THERMOSTAT COVER..... | E-4-12 |
| SCREW..... | E-19-10 | SEAL, WATER, 26X42X7..... | FOP-12-3 | SPACER, THROTTLE BODY..... | E-15-4 |
| SCREW SET..... | E-15-1 | SEAL, WATER, 30X45X7..... | F-5-29 | SPRING COMP., CLICK..... | F-2-5 |
| SCREW SET, DRAIN..... | E-18-5 | SEAL, WATER, 30X45X7..... | F-5-1-32 | SPRING COMP., CLICK..... | F-10-4 |
| SCREW SET, DRAIN..... | E-18-1-34 | SEAL, WATER, 30X45X7..... | FOP-12-4 | SPRING COMP., TIMING BELT..... | E-13-9 |
| SCREW, 6X95..... | FOP-1-6-53 | SEAT, VALVE SPRING..... | E-9-10-16 | SPRING, ACCELERATOR WHEEL..... | FOP-1-6-21 |
| SCREW, FLAT, 5X12..... | FOP-1-6-52 | SEAT, WATER MOUTH..... | F-3-20-3 | SPRING, AIR FLOW TUBE..... | E-15-7 |
| SCREW, FLAT, 5X55..... | F-3-11 | SEAT.SPRING(250)..... | E-7-14 | SPRING, CHOKE RETURN..... | FOP-1-6-25 |
| SCREW, FLAT, 6X16..... | E-5-19 | SENSOR ASSY., AIR TEMP..... | E-15-16 | SPRING, CLICK ASSIST..... | F-2-6 |
| SCREW, PAN..... | E-18-21 | SENSOR ASSY., CRANK..... | E-3-27 | SPRING, CLICK ASSIST..... | F-10-5 |
| SCREW, PAN, 4X10..... | FOP-1-26 | SENSOR ASSY., MAP..... | E-14-10-12 | SPRING, COVER LOCK HOOK..... | F-8-10-17 |
| SCREW, PAN, 4X10..... | FOP-1-2-29 | SENSOR ASSY., TRIM ANGLE..... | F-10-7 | SPRING, EX. VALVE..... | E-9-10-14 |
| SCREW, PAN, 5X10..... | FOP-1-23 | SENSOR ASSY., WATER..... | E-3-26 | SPRING, FLUSH VALVE..... | E-6-10-8 |
| SCREW, PAN, 5X10..... | FOP-1-2-26 | SENSOR ASSY., WATER..... | E-4-15 | SPRING, LOCK ADJUSTER..... | F-8-7 |
| SCREW, PAN, 5X10..... | FOP-1-6-70 | SENSOR COMP., KNOCK..... | E-3-20 | SPRING, LOCK LEVER RETURN..... | F-8-10-18 |
| SCREW, PAN, 5X12..... | E-18-1-14 | SENSOR COMP., TDC1-TDC2..... | E-13-10-6 | SPRING, MOTOR..... | F-11-9 |
| SCREW, PAN, 5X16..... | E-3-51 | SENSOR, OXYGEN..... | E-4-14 | SPRING, NEUTRAL LOCK ARM..... | FOP-1-4-7 |
| SCREW, PAN, 5X16..... | FOP-1-22 | SEPARATOR ASSY., VAPOR..... | E-18-33 | SPRING, RELIEF VALVE..... | E-5-9 |
| SCREW, PAN, 5X16..... | FOP-1-2-25 | SEPARATOR ASSY., WATER..... | E-18-1-4 | SPRING, RELIEF VALVE..... | E-6-10-11 |
| SCREW, PAN, 5X16..... | FOP-1-4-20 | SHAFT ASSY., CLUTCH..... | E-21-13 | SPRING, REMOTE CONTROL HANDLE .. | FOP-1-6-7 |
| SCREW, PAN, 5X18..... | FOP-1-25 | SHAFT ASSY., CLUTCH..... | E-21- | SPRING, ROCKER ARM..... | E-9-10-9 |
| SCREW, PAN, 5X18..... | FOP-1-2-28 | SHAFT ASSY., GEAR..... | E-21-15 | SPRING, SET..... | E-18-40 |
| SCREW, PAN, 5X20..... | E-3-52 | SHAFT ASSY., GEAR..... | E-21- | SPRING, SHIFT..... | F-5-6 |
| SCREW, PAN, 5X20..... | FOP-1-24 | SHAFT COMP., EX. ROCKER ARM..... | E-9-10-8 | SPRING, SHIFT..... | F-5-1-6 |
| SCREW, PAN, 5X20..... | FOP-1-2-27 | SHAFT COMP., INTAKE ROCKER ARM .. | E-9-10-7 | SPRING, SHIFT CLICK..... | FOP-1-6-24 |
| SCREW, PAN, 5X30..... | FOP-1-4-22 | SHAFT COMP., SHIFT(A)..... | F-2-8 | SPRING, SHIFT ROD..... | F-4-10 |
| SCREW, PAN, 5X40..... | FOP-1-28 | SHAFT COMP., SHIFT(B)..... | F-2-14 | SPRING, VALVE(PINK)..... | E-9-10-13 |
| SCREW, PAN, 5X40..... | FOP-1-2-31 | SHAFT, COVER OPEN..... | F-8-10-19 | SPRING.SUPPORT..... | E-7-15 |
| SCREW, PAN, 5X40..... | FOP-6-3 | SHAFT, FR. LOCK..... | F-8-10-20 | STAY, A.C. GENERATOR..... | E-19-16 |
| SCREW, PAN, 5X40..... | FOP-7-18 | SHAFT, PROPELLER..... | F-5-10 | STAY, FUEL PIPE A..... | E-18-1-2 |
| SCREW, PAN, 5X40..... | FOP-7-1-15 | SHAFT, PROPELLER..... | F-5-1-10 | STAY, FUEL PIPE B..... | E-18-1-3 |
| SCREW, PAN, 5X55..... | FOP-1-2-32 | SHAFT, THROTTLE BUTTON..... | FOP-1-4-9 | STAY, FUEL STRAINER..... | E-18-1-17 |
| SCREW, PAN, 5X65..... | FOP-1-34 | SHAFT, TILTING..... | F-10-26 | STAY, PLATE..... | E-18-8 |
| SCREW, PAN, 5X65..... | FOP-1-2-39 | SHAFT, VERTICAL(L)..... | F-4-14 | STAY, PLATE..... | E-18-36 |
| SCREW, PAN, 5X8..... | E-21-22 | SHAFT, VERTICAL(XL)..... | F-4- | STAY, POWER TILT SWITCH..... | F-3-20-6 |
| SCREW, PAN, 6X10..... | FOP-1-6-51 | SHIFTER, CLUTCH..... | F-5-1 | STAY, VACUUM TANK..... | E-18-44 |
| SCREW, PAN, 6X18..... | E-4-26 | SHIFTER, CLUTCH..... | F-5-1-1 | STAY, WATER SEPARATOR..... | E-18-1-7 |
| SCREW, PAN, 6X18..... | FOP-1-27 | SHIM A, BEVEL(0.10)..... | F-5-18 | STOPPER SET, SLEEVE..... | E-21-8 |
| SCREW, PAN, 6X18..... | FOP-1-2-30 | SHIM A, BEVEL(0.10)..... | F-5-1-18 | STOPPER SET, SLEEVE..... | E-21- |
| SCREW, PAN, 6X22..... | E-21- | SHIM A, BEVEL(0.10)..... | F-5-1-19 | STOPPER, LOWER MOUNT..... | F-3-20-18 |
| SCREW, PAN, 6X22(SPECIAL)..... | E-21-21 | SHIM A, GEAR(0.10)..... | F-4-22 | STOPPER, TILT..... | F-10-29 |
| SCREW, PAN, 6X25..... | F-3-20- | SHIM A, THRUST(2.75)..... | F-5-19 | STRAINER ASSY., FUEL..... | E-18-1-11 |
| SCREW, PAN, 6X35..... | FOP-1-4-23 | SHIM B, BEVEL(0.15)..... | F-5- | STRAINER COMP., OIL..... | E-5-7 |
| SCREW, PAN, 6X8..... | F-10-44 | SHIM B, BEVEL(0.15)..... | F-5-1- | STRAINER, FUEL PUMP..... | E-18-10-8 |
| SCREW, PAN, 6X8..... | F-10-77 | SHIM B, BEVEL(0.15)..... | F-5-1- | SUB HARNESS ASSY., POWER..... | FOP-1-19 |
| SCREW, PAN, 6X8..... | F-11-35 | SHIM B, GEAR(0.15)..... | F-4- | SUB HARNESS ASSY., POWER..... | FOP-1-2-20 |
| SCREW, RIVET, 5X10..... | F-10-45 | SHIM B, THRUST(2.80)..... | F-5- | SUB HARNESS ASSY., POWER..... | FOP-1-2-21 |
| SCREW, RIVET, 5X10..... | F-11-36 | SHIM C, BEVEL(0.30)..... | F-5- | SUB HARNESS ASSY., POWER..... | FOP-1-4-16 |
| SCREW, SPECIAL, 6X35..... | F-3-20-34 | SHIM C, BEVEL(0.30)..... | F-5-1- | SUSPENSION, COUPLER..... | F-7-2 |
| SCREW, TAPPET ADJUSTING..... | E-9-10-12 | SHIM C, BEVEL(0.30)..... | F-5-1- | SUSPENSION, STRAINER..... | E-18-1-18 |
| SCREW, TAPPING, 4X10..... | F-8-17 | SHIM C, GEAR(0.30)..... | F-4- | SUSPENSION, STRAINER..... | E-18-1-19 |
| SCREW, TAPPING, 5X10..... | FOP-1-6-72 | SHIM C, THRUST(2.85)..... | F-5- | SUSPENSION, STRAINER..... | E-18-10-9 |
| SCREW, TAPPING, 5X12..... | FOP-1-6-73 | SHIM D, BEVEL(0.50)..... | F-5- | SWITCH ASSY., COMBINATION..... | FOP-1-6-38 |
| SCREW, TAPPING, 5X25..... | FOP-1-6-75 | SHIM D, BEVEL(0.50)..... | F-5-1- | SWITCH ASSY., COMBINATION..... | FOP-7-9 |
| SCREW, TAPPING, 5X8..... | FOP-1-6-71 | SHIM D, BEVEL(0.50)..... | F-5-1- | SWITCH ASSY., COMBINATION..... | FOP-7-1-7 |
| SCREW, TAPPING, 6X16..... | FOP-1-6-74 | SHIM D, GEAR(0.50)..... | F-4- | SWITCH ASSY., EMERGENCY STOP..... | FOP-1-6-41 |
| SCREW, TAPPING, 6X30..... | FOP-1-4-24 | SHIM D, THRUST(2.90)..... | F-5- | SWITCH ASSY., EMERGENCY STOP..... | FOP-7-10 |
| SCREW, TRUSS, 4X12..... | FOP-1-4-21 | SHIM E, THRUST(2.95)..... | F-5- | SWITCH ASSY., EMERGENCY STOP..... | FOP-7-1-8 |
| SCREW, WASHER..... | E-18-22 | SHIM F, THRUST(3.00)..... | F-5- | SWITCH ASSY., MAGNET..... | E-21-12 |
| SCREW, WAVE WASHER..... | E-19-12 | SHIM G, THRUST(3.05)..... | F-5- | SWITCH ASSY., MAGNET..... | E-21- |
| SCREW, WAVE WASHER..... | E-19-13 | SHIM H, THRUST(3.10)..... | F-5- | SWITCH ASSY., NEUTRAL..... | F-2-18 |
| SCREW-WASHER..... | E-18-20 | SHIM I, THRUST(2.70)..... | F-5- | SWITCH ASSY., OIL PRESSURE..... | E-3-24 |
| SCREW-WASHER..... | E-19-11 | SHIM J, THRUST(2.65)..... | F-5- | SWITCH ASSY., OIL PRESSURE..... | E-3-25 |
| SCREW-WASHER, 5X15..... | F-7-20-8 | SHIM K, THRUST(2.60)..... | F-5- | SWITCH ASSY., POWER TRIM..... | F-3-20-5 |
| SCREW-WASHER, 6X40..... | F-3-20-40 | SHIM L, THRUST(2.55)..... | F-5- | SWITCH ASSY., POWER TRIM-TILT | FOP-1-20 |
| SEAL A, COVER UNDER..... | F-3-20-22 | SHIM M, THRUST(2.50)..... | F-5- | SWITCH ASSY., POWER TRIM-TILT | FOP-1-2-22 |
| SEAL A, VALVE STEM(NOK)..... | E-9-4 | SLIDER COMP., SHIFT..... | F-5-4 | SWITCH ASSY., POWER TRIM-TILT | FOP-1-2-23 |

SWITCH ASSY., POWER TRIM-TILT FOP-1-4-17
 SWITCH ASSY., POWER TRIM-TILT FOP-1-6-39
 SWITCH KIT, LIGHT FOP-6-1
 <T>
 TAB, TRIM F-3-8
 TACHOMETER HOUR METER (BLACK) .. FOP-3-4
 TANK COMP., VACUUM E-18-43
 TANK, OIL F-11-29
 TENSIONER COMP., TIMING BELT E-13-7
 TERMINAL, CABLE FOP-1-16
 TERMINAL, CABLE FOP-1-2-17
 TERMINAL, CABLE FOP-1-4-12
 THERMOSTAT ASSY. E-4-10
 THROTTLE BODY ASSY. E-15-3
 TIE, CABLE..... FOP-10-2
 TIE, CABLE(NATURAL)(2.4X92)..... FOP-1-6-37
 TIE, CABLE(NATURAL)(2.4X92)..... FOP-13-4
 T-JOINT E-1-10
 T-JOINT E-18-10-17
 TRIM METER ASSY (BLACK) FOP-3-1
 TRIM-TILT ASSY., POWER F-11-13
 TUBE A, AIR VENT E-18-10-4
 TUBE B, AIR VENT E-18-10-5
 TUBE B, BREATHER E-1-26
 TUBE C, BREATHER E-1-27
 TUBE COMP. A, BREATHER E-1-25
 TUBE COMP. A, FUEL..... F-8-20-1
 TUBE COMP. B, FUEL..... E-18-1-8
 TUBE COMP. D, FUEL..... E-18-1-9
 TUBE COMP. E, FUEL E-18-1-10
 TUBE COMP. G, FUEL..... E-1-9
 TUBE COMP., AIR VENT..... E-18-10-6
 TUBE COMP., FUEL(C) E-1-8
 TUBE KIT, SPEED SENSOR F-10-2
 TUBE, 5X200 F-10-74
 TUBE, 5X950 F-10-75
 TUBE, CHECK VALVE E-18-10-3
 TUBE, FLUSH VALVE E-6-10-41
 TUBE, FUEL, 3.5X130 E-14-10-21
 TUBE, FUEL, 3.5X40 E-14-10-20
 TUBE, FUEL, 3.5X50 E-14-31
 TUBE, FUEL, 3.5X540 E-14-10-22
 TUBE, FUEL, 3.5X55 E-18-10-23
 TUBE, FUEL, 3.5X590 E-14-10-23
 TUBE, FUEL, 3.5X600 E-14-10-24
 TUBE, L. WATER RETURN E-4-9
 TUBE, OIL..... E-1-5
 TUBE, R. WATER RETURN E-4-6
 TUBE, SPIRAL(12X14.6)..... F-11-4
 TUBE, VINYL, 3.5X6.5X350 E-18-1-33
 TUBE, VINYL, 3.5X6.5X600 E-18-10-24
 TUBE, WATER E-4-8
 TUBE, WATER CHECK E-6-10-40
 TUBE, WATER IN..... E-18-10-15
 TUBE, WATER JOINT F-3-20-51
 TUBE, WATER OUTLET E-18-10-16
 TUBE, WATER RELIEF..... E-4-7
 TUBE, WATER(L) F-4-7
 TUBE, WATER(XL) F-4-
 <V>
 VALVE ASSY., AIR BYPASS E-14-10-10
 VALVE ASSY., EAC..... E-15-17
 VALVE ASSY., SPOOL..... E-3-18
 VALVE COMP., MANUAL F-11-25
 VALVE COMP., RESERVOIR..... F-11-26
 VALVE SET, FLOAT E-18-1
 VALVE, CHECK E-14-10-9
 VALVE, CHECK..... E-18-10-18
 VALVE, EX..... E-9-10-11
 VALVE, FLASH E-6-10-10
 VALVE, IN..... E-9-10-10
 VALVE, RELIEF E-5-8
 VALVE, RELIEF E-6-10-9
 <W>
 WASHER F-2-32
 WASHER B, THRUST, 14MM F-2-30
 WASHER KIT, THRUST(250) E-7-16
 WASHER, 10MM F-10-62
 WASHER, 25MM F-10-59
 WASHER, 28MM FOP-1-6-62
 WASHER, 30MM F-3-20-43
 WASHER, 6MM FOP-1-6-60
 WASHER, 7/8INCH F-10-58

WASHER, AIR CLEANER COVER F-2-1
 WASHER, CONICAL SPRING(5) E-14-10-11
 WASHER, DRAIN PLUG, 12MM..... E-6-13
 WASHER, LOCK, 5MM FOP-1-30
 WASHER, LOCK, 5MM FOP-1-2-35
 WASHER, LOCK, 5MM FOP-1-4-26
 WASHER, LOCK, 6MM FOP-1-32
 WASHER, LOCK, 6MM FOP-1-2-37
 WASHER, PIVOT F-2-4
 WASHER, PLAIN E-18-24
 WASHER, PLAIN E-18-25
 WASHER, PLAIN, 10MM E-6-20-8
 WASHER, PLAIN, 10MM F-3-20-46
 WASHER, PLAIN, 10MM F-8-10-32
 WASHER, PLAIN, 10MM F-10-60
 WASHER, PLAIN, 12MM E-6-20-7
 WASHER, PLAIN, 12MM F-3-22
 WASHER, PLAIN, 12MM F-3-20-45
 WASHER, PLAIN, 12MM F-4-21
 WASHER, PLAIN, 12MM F-5-20
 WASHER, PLAIN, 12MM F-5-1-22
 WASHER, PLAIN, 12MM F-8-15
 WASHER, PLAIN, 12MM F-10-63
 WASHER, PLAIN, 12MM F-10-64
 WASHER, PLAIN, 14MM F-3-20-44
 WASHER, PLAIN, 4MM FOP-1-6-56
 WASHER, PLAIN, 5MM FOP-1-31
 WASHER, PLAIN, 5MM FOP-1-33
 WASHER, PLAIN, 5MM FOP-1-2-36
 WASHER, PLAIN, 5MM FOP-1-2-38
 WASHER, PLAIN, 5MM FOP-1-6-57
 WASHER, PLAIN, 5MM FOP-1-6-58
 WASHER, PLAIN, 5MM FOP-6-4
 WASHER, PLAIN, 5MM FOP-7-21
 WASHER, PLAIN, 5MM FOP-7-1-18
 WASHER, PLAIN, 6MM E-15-24
 WASHER, PLAIN, 6MM F-2-31
 WASHER, PLAIN, 6MM F-2-33
 WASHER, PLAIN, 6MM F-2-34
 WASHER, PLAIN, 6MM F-8-14
 WASHER, PLAIN, 6MM F-10-61
 WASHER, PLAIN, 6MM FOP-1-4-27
 WASHER, PLAIN, 6MM FOP-1-6-59
 WASHER, PLAIN, 8MM E-1-20
 WASHER, PLAIN, 8MM E-6-12
 WASHER, PLAIN, 8MM F-7-10-19
 WASHER, PLAIN, 8MM F-8-10-28
 WASHER, PLAIN, 8MM F-8-10-35
 WASHER, PLAIN, 8MM FOP-1-6-61
 WASHER, PROPELLER F-5-17
 WASHER, PROPELLER F-5-1-17
 WASHER, PROPELLER THRUST..... F-5-15
 WASHER, PROPELLER THRUST..... F-5-1-15
 WASHER, SEALING(22MM) E-3-8
 WASHER, SEALING(22MM) E-3-10-3
 WASHER, SEALING, 22MM E-3-7
 WASHER, SEALING, 6MM..... E-18-53
 WASHER, SPRING, 5MM FOP-6-5
 WASHER, SPRING, 5MM FOP-7-22
 WASHER, SPRING, 5MM FOP-7-1-19
 WASHER, THRUST E-7-11
 WASHER, THRUST E-7-
 WASHER, THRUST BEARING F-5-16
 WASHER, THRUST BEARING F-5-1-16
 WASHER, THRUST, 14MM F-2-29
 WASHER, THRUST, 34MM F-10-56
 WASHER, THRUST, 48X74X3..... F-5-1-21
 WASHER, THRUST, 85X110X2 F-5-1-20
 WASHER, UPPER MOUNTING STOPPER .. F-10-57
 WASHER, WAVE, 10MM F-8-10-34
 WASHER, WAVE, 12MM F-10-54
 WASHER, WAVE, 26MM F-10-55
 WASHER, WAVE, 40MM F-10-53
 WASHER, WAVE, 8MM F-8-10-33
 WHEEL, ACCELERATOR..... FOP-1-6-20
 WHEEL, CONTROL FOP-1-6-13
 WIRE, LEAD(1.5X116MM) F-10-9
 WIRE, LEAD(1.5X116MM) F-11-11
 WRENCH, BOX(10MM) F-13-14
 WRENCH, EYE, 19MM F-13-12
 WRENCH, HEX., 6MM F-13-7
 WRENCH, PLUG..... F-13-6

<Y>
 YOKE ASSY..... F-11-8
 YOKE COMP. E-21-5

INDEX (Parts Number)

| | | | | | | | |
|--------------------|------------|--------------------|------------|----------------|------------|----------------|------------|
| 332-70201-0 | F-6-8 | HCO-94302-10160 | E-5-20 | HP01-91212-003 | E-5-17 | HPW5-90701-000 | E-6-20-9 |
| 3C7-70217-0 | F-6-5 | HCO-94302-10160 | E-6-20-10 | HP08-12342-004 | E-1-4 | HPY3-17249-000 | E-15-7 |
| 3C7-70220-1 | F-6-2 | HCO-94303-05080 | E-3-54 | HP0A-91303-A02 | E-15-25 | HPY3-31215-004 | E-21-4 |
| 3C7-70224-1 | F-6-3 | HCO-94305-30203 | F-10-73 | HPOX-91321-003 | E-3-49 | HPY3-31218-004 | E-21-6 |
| 3FF-70200-4 | F-6-1 | HCO-94510-15000 | F-5-31 | HP13-31141-003 | E-19-6 | HPZ1-12210-004 | E-9-4 |
| 3GF-70211-1 | F-6-4 | HCO-94510-15000 | F-5-1-34 | HP13-31147-003 | E-19-10 | HPZ1-12211-004 | E-9-6 |
| 3GF-70240-1 | F-6-7 | HCO-94520-47000 | F-4-37 | HP13-31148-003 | E-19-12 | HR70-15280-A00 | E-3-13 |
| 3GF-70241-1 | F-6-6 | HCO-94540-03029 | FOP-1-6-78 | HP5A-13115-000 | E-7-4 | HRCA-14632-A00 | E-9-10-8 |
| 3PU-72537-0 | FOP-3-6 | HCO-94540-04029 | F-2-42 | HP5A-31201-005 | E-21-2 | HRCA-17055-A01 | E-14-12 |
| 3PV-72571-0 | FOP-3-1 | HCO-94540-04029 | FOP-1-6-79 | HP5A-31243-005 | E-21-14 | HRCA-17065-A01 | E-14-14 |
| 3PV-72637-0 | FOP-3-4 | HCO-94540-06029 | F-8-10-39 | HP5G-16614-003 | E-14-4 | HRCA-90014-A01 | E-3-32 |
| H121-51640-730 | F-8-10-11 | HCO-94540-06029 | FOP-1-36 | HP8A-11812-A00 | E-13-10-1 | HRCA-90704-A00 | E-13-28 |
| H196-47117-000 | F-8-10-10 | HCO-94540-06029 | FOP-1-2-41 | HP8A-13204-A01 | E-7-6 | HRDV-14765-J00 | E-9-10-15 |
| H341-38403-672 | FOP-1-6-45 | HCO-94540-06029 | FOP-1-4-28 | HP8A-14400-A01 | E-13-6 | HRGM-14781-A01 | E-9-10-17 |
| H341-38403-672 | FOP-7-15 | HCO-94540-07029 | FOP-1-6-80 | HP8A-14551-A01 | E-13-13 | HRJA-14711-000 | E-9-10-10 |
| H341-38403-672 | FOP-7-1-12 | HCO-94540-10019 | F-4-34 | HP8A-14620-A01 | E-9-10-4 | HRJA-14721-E00 | E-9-10-11 |
| H355-89217-000 | F-13-14 | HCO-94540-12029 | F-2-43 | HP8A-14626-A00 | E-9-10-5 | HRJA-15290-000 | E-3-14 |
| H371-89221-000 | F-13-7 | HCO-94540-15029 | F-11-51 | HP8A-14627-A00 | E-9-10-6 | HRJA-90017-003 | E-13-22 |
| H371-90009-015 | E-6-20-2 | HCO-95001-35040-40 | E-14-10-20 | HP8A-14631-A00 | E-9-10-7 | HRKG-13210-000 | E-7-7 |
| H663-38562-920 | F-10-8 | HCO-95001-35050-40 | E-14-31 | HP8A-14645-A01 | E-9-10-9 | HRKG-13310-000 | E-7-9 |
| H723-90472-000 | F-4-21 | HCO-95001-35055-40 | E-18-10-23 | HP8A-15115-A01 | E-3-9 | HRKG-14761-003 | E-9-10-13 |
| H759-16911-003 | E-18-10-8 | HCO-95001-35130-40 | E-14-10-21 | HP8A-15140-A00 | E-3-10 | HRKG-91213-003 | E-9-16 |
| H763-90681-A01 | F-7-10-21 | HCO-95001-35540-40 | E-14-10-22 | HP8A-15142-A00 | E-3-11 | HRNA-30530-A01 | E-3-20 |
| H763-90681-A01 | F-10-67 | HCO-95001-35590-60 | E-14-10-23 | HP8A-15150-A00 | E-3-12 | HRNA-37830-A01 | E-14-10-12 |
| H800-91303-000 | E-6-10-36 | HCO-95001-35600-40 | E-14-10-24 | HP8A-90003-A00 | E-9-10-18 | HRTA-15400-004 | E-3-10-4 |
| H805-91301-000 | E-3-10-17 | HCO-95003-05035-31 | E-18-1-33 | HP8A-90004-A00 | E-9-10-19 | HRYE-13211-A01 | E-7-8 |
| H881-90110-000 | F-10-42 | HCO-95003-05060-31 | E-18-10-24 | HP8A-90017-A01 | E-13-10-8 | HRYE-13212-A01 | E-7 |
| H921-15611-000 | E-3-10-5 | HCO-95005-50200-30 | F-10-74 | HP8A-90031-A01 | E-13-25 | HRYE-13213-A01 | E-7 |
| H921-17936-000 | F-2-4 | HCO-95005-50950-30 | F-10-75 | HP8A-90701-A00 | E-9-14 | HRYE-13214-A01 | E-7 |
| H921-90302-000 | F-3-20-41 | HCO-95011-63000 | F-3-20-55 | HP8A-91301-A00 | E-9-17 | HRYE-13215-A01 | E-7 |
| H921-90302-000 | FOP-1-6-54 | HCO-95551-20000 | F-8-19 | HP8A-91308-A01 | E-3-45 | HS0A-91541-003 | E-3-50 |
| H921-90302-000 | FOP-7-19 | HCO-95701-06014-09 | E-5-21 | HP8A-91309-A01 | E-3-47 | HS0A-91541-003 | E-13-10-11 |
| H921-90302-000 | FOP-7-1-16 | HCO-95701-06018-09 | E-5-22 | HP8D-36165-J00 | E-14-10-11 | HS0A-91541-003 | F-2-41 |
| H921-90504-010 | F-8-14 | HCO-95701-08030-09 | E-5-23 | HP8E-14762-A01 | E-9-10-14 | HS0A-91541-003 | F-7-5 |
| H921-90504-010 | FOP-1-6-59 | HCO-95701-10070-09 | E-6-20-11 | HP8E-17105-A01 | E-14-15 | HS0A-91541-003 | F-7-10-24 |
| H921-90511-000 | F-10-60 | HCO-95701-12120-09 | E-6-20-12 | HP8F-14820-A01 | E-9-10 | HS0A-91541-003 | F-8-10-37 |
| H921-90512-010 | FOP-1-6-60 | HCO-96211-07000 | F-5-32 | HPC6-15233-000 | E-5-10 | HS0X-46392-A01 | F-2-21 |
| H921-90518-000 | F-8-10-35 | HCO-96211-07000 | F-5-1-35 | HPC6-91324-000 | E-5-18 | HS0A-90683-003 | E-18-1-31 |
| H921-90518-000 | FOP-1-6-61 | HCO-96211-12000 | F-5-33 | HPD1-31138-004 | E-19-5 | HS0A-90683-003 | E-20-10-10 |
| H921-90602-000 | E-18-1-27 | HCO-96211-12000 | F-5-1-36 | HPD1-31142-004 | E-19-7 | HS0A-90683-003 | F-3-20-49 |
| H921-90602-000 | F-10-65 | HCO-96220-50080 | E-5-24 | HPD1-31145-004 | E-19-8 | HSB0-90602-003 | F-11-37 |
| H952-32901-770 | FOP-1-6-37 | HCO-9807B-5617C | E-20 | HPD1-90231-014 | E-19-26 | HSB2-90620-003 | F-7-10-20 |
| H952-32901-770 | FOP-13-4 | HCO-98200-41000 | F-7-20-9 | HPD6-90430-003 | E-18-53 | HSB2-90650-003 | E-14-26 |
| H958-90428-000 | F-2-30 | HCO-98200-41500 | F-7-20-10 | HPDE-15231-000 | E-5-8 | HSB6-91475-000 | FOP-1-6-66 |
| HCO-92101-05016-4J | FOP-1-6-69 | HCO-98200-43000 | F-7-20-11 | HPEA-13111-000 | E-7-3 | HSC2-90649-003 | FOP-7-20 |
| HCO-92101-06055-4J | F-3-26 | HCO-99003-30000 | F-13-15 | HPF0-91302-003 | F-2-40 | HSC2-90649-003 | FOP-7-1-17 |
| HCO-93500-05010-4J | FOP-1-6-70 | HCO-99003-50000 | F-13-16 | HPG4-91033-013 | F-5-1-25 | HSD2-90705-931 | F-2-35 |
| HCO-93500-05016-4J | E-3-51 | HCO-99006-19000 | F-13-12 | HPG6-15232-000 | E-5-9 | HSD4-91356-952 | E-4-25 |
| HCO-93500-05020-4J | E-3-52 | HCO-99008-02000 | F-13-13 | HPG7-16741-005 | E-14-7 | HSD9-54316-013 | E-1-15 |
| HCO-93500-05065-4J | FOP-1-34 | HGCF-80106-670 | F-8-20-3 | HPGK-37835-A01 | E-14-10-13 | HSDA-39794-004 | F-7-20-5 |
| HCO-93500-05065-4J | FOP-1-2-39 | HGH8-16163-600 | E-18-1-1 | HPH1-90015-013 | E-3-10-7 | HSE0-53740-953 | E-1-14 |
| HCO-93500-06018-4J | E-4-26 | HGH8-16163-610 | E-6-10-1 | HPH7-90715-000 | E-3-41 | HSF4-89216-000 | F-13-6 |
| HCO-93500-06025-4J | F-3-20 | HHA0-90402-000 | F-2-29 | HPJ7-12204-305 | E-9-2 | HSJ6-78419-003 | E-14-18 |
| HCO-93600-06016-0A | E-5-19 | HHE0-50310-003 | E-1-13 | HPJ7-12205-305 | E-9-3 | HSK7-91566-003 | E-1-28 |
| HCO-93901-250J0 | FOP-1-6-71 | HHW1-90207-671 | E-6-10-31 | HPK1-91308-003 | E-3-46 | HSL0-91592-A51 | E-18-10-22 |
| HCO-93901-251J0 | FOP-1-6-72 | HHW1-90215-671 | F-4-18 | HPLC-91301-000 | E-14-28 | HSTK-91540-003 | FOP-10-3 |
| HCO-93901-252J0 | FOP-1-6-73 | HKE8-17251-690 | F-8-1 | HPM3-14775-000 | E-9-10-16 | HVM0-16965-771 | E-18-10-10 |
| HCO-93903-262J0 | FOP-1-6-74 | HKG4-90659-000 | E-18-1-30 | HPMA-36145-004 | E-14-10-9 | HZA0-90684-001 | F-8-10-36 |
| HCO-93905-255J0 | FOP-1-6-75 | HKM3-32161-003 | F-10-6 | HPNA-91214-014 | E-3-43 | HZB7-90691-003 | E-1-23 |
| HCO-93911-141J0 | F-8-17 | HKM3-32161-003 | F-10-76 | HPNA-91302-003 | E-14-29 | HZB7-90691-003 | E-18-54 |
| HCO-94001-05490-05 | FOP-1-35 | HKN5-17224-670 | F-2-1 | HPNA-91307-003 | E-3-44 | HZCO-63515-700 | F-8-10-24 |
| HCO-94001-05490-05 | FOP-1-2-40 | HKT7-91305-003 | E-1-24 | HPNA-91307-003 | E-4-24 | HZE2-90601-000 | E-6-13 |
| HCO-94001-06080-05 | E-19-27 | HKY7-17450-740 | E-18-10-11 | HPP4-90009-E01 | E-18-46 | HZV0-41122-000 | E-13-19 |
| HCO-94001-06490-05 | FOP-1-6-76 | HMB1-90655-921 | E-18-10-21 | HPR3-91319-003 | E-3-48 | HZV0-90604-000 | E-1-22 |
| HCO-94001-12490-05 | F-10-72 | HMG9-17201-000 | E-14-10-7 | HPR7-31105-A01 | E-19-1 | HZV0-90604-000 | E-18-1-28 |
| HCO-94002-05490-05 | FOP-1-6-77 | HMG9-35701-950 | F-11-3 | HPR7-36361-A01 | E-18-43 | HZV0-90604-000 | E-18-10-20 |
| HCO-94002-06490-05 | F-8-18 | HMG9-35701-950 | FOP-1-6-40 | HPT0-14744-004 | E-9-10-12 | HZV1-24210-010 | F-10-4 |
| HCO-94103-05400 | FOP-6-4 | HMJ0-91301-003 | E-14-27 | HPT0-31111-003 | E-19-2 | HZV4-12155-A00 | E-3-4 |
| HCO-94103-05400 | FOP-7-21 | HMJ0-91301-003 | E-18-55 | HPT0-31114-013 | E-19-3 | HZV4-17704-010 | F-8-20-4 |
| HCO-94103-05400 | FOP-7-1-18 | HMJ0-91308-003 | F-4-29 | HPT0-31118-003 | E-19-4 | HZV4-24221-010 | F-10-5 |
| HCO-94111-05400 | FOP-6-5 | HMJ0-91308-003 | FOP-12-7 | HPT0-31146-003 | E-19-9 | HZV4-36182-651 | FOP-1-6-42 |
| HCO-94111-05400 | FOP-7-22 | HML0-90101-720 | F-8-10-28 | HPT0-31147-003 | E-19-11 | HZV4-36182-651 | FOP-7-1-1 |
| HCO-94111-05400 | FOP-7-1-19 | HMM4-90105-000 | FOP-1-6-51 | HPT0-31148-003 | E-19-13 | HZV4-36182-651 | FOP-7-1-9 |
| HCO-94301-06100 | E-3-53 | HMM8-90502-610 | F-8-10-32 | HPT0-90005-003 | E-9-11 | HZV4-36187-652 | FOP-1-6-43 |
| HCO-94301-06100 | E-13-30 | HMR5-16966-000 | F-8-20-5 | HPT0-90206-004 | E-9-10-20 | HZV4-36187-652 | FOP-7-12 |
| HCO-94301-06100 | E-15-28 | HMT2-17193-000 | E-1-10 | HPT0-90705-000 | E-9-15 | HZV4-36187-652 | FOP-7-1-10 |
| HCO-94301-08140 | E-3-10-18 | HMT8-18334-770 | FOP-6-2 | HPT2-91005-N01 | F-5-23 | HZV4-90127-000 | E-6-10 |
| HCO-94301-10120 | E-14-30 | HMT8-18334-770 | FOP-7-2 | HPT2-91005-N01 | F-5-1-24 | HZV4-90127-000 | F-2-27 |
| HCO-94302-06100 | E-9-18 | HMT8-18334-770 | FOP-7-1-2 | HPW5-90701-000 | E-5-15 | HZV4-90302-000 | F-3-19 |

HZV4-90304-000FOP-1-6-55
HZV4-90502-000FOP-1-31
HZV4-90502-000FOP-1-2-36
HZV4-90502-000FOP-1-6-58
HZV4-90506-000F-2-31
HZV4-90512-000F-2-34
HZV4-90512-000F-10-61
HZV4-90514-000F-10-62
HZV4-90603-000E-6-10-32
HZV4-90605-000E-6-10-33
HZV4-90605-000E-18-1-29
HZV4-90605-000F-3-20-47
HZV5-12155-000E-4-1
HZV5-12214-000E-3-8
HZV5-12214-000E-3-10-3
HZV5-24811-010FOP-1-6-2
HZV5-24812-000FOP-1-6-3
HZV5-24813-000FOP-1-6-4
HZV5-24814-010FOP-1-6-5
HZV5-24815-010FOP-1-6-6
HZV5-24816-000FOP-1-6-7
HZV5-24817-000FOP-1-6-8
HZV5-24818-003FOP-1-6-9
HZV5-24820-010FOP-1-6-10
HZV5-24830-010FOP-1-6-11
HZV5-24836-000FOP-1-6-12
HZV5-24841-000FOP-1-6-13
HZV5-24845-000FOP-1-6-14
HZV5-24850-000FOP-1-6-15
HZV5-24854-000FOP-1-6-16
HZV5-24855-000FOP-1-6-17
HZV5-24860-000FOP-1-6-18
HZV5-24865-000FOP-1-6-19
HZV5-24875-000FOP-1-6-20
HZV5-24876-000FOP-1-6-21
HZV5-24878-000FOP-1-6-22
HZV5-24881-000FOP-1-6-23
HZV5-24883-000FOP-1-6-24
HZV5-24884-000FOP-1-6-25
HZV5-24885-000FOP-1-6-26
HZV5-24887-000FOP-1-6-27
HZV5-24891-000FOP-1-6-28
HZV5-24892-000FOP-1-6-29
HZV5-24894-000FOP-1-6-30
HZV5-24895-000FOP-1-6-31
HZV5-24897-000FOP-1-6-32
HZV5-24898-000FOP-1-6-33
HZV5-32823-003FOP-1-6-35
HZV5-32823-003FOP-7-7
HZV5-32823-003FOP-7-1-5
HZV5-32824-003FOP-1-6-36
HZV5-32824-003FOP-7-8
HZV5-32824-003FOP-7-1-6
HZV5-35370-823FOP-1-6-39
HZV5-36136-821F-11-9
HZV5-36180-033FOP-1-6-41
HZV5-36180-033FOP-7-10
HZV5-36180-033FOP-7-1-8
HZV5-38410-003FOP-1-6-46
HZV5-38410-003FOP-7-16
HZV5-38410-003FOP-7-1-13
HZV5-40102-000E-15-18
HZV5-40107-000F-3-20-7
HZV5-41171-000F-10-10
HZV5-41172-000F-10-11
HZV5-50214-003F-11-12
HZV5-56117-821F-11-20
HZV5-56118-820F-11-21
HZV5-56513-000F-11-27
HZV5-82873-003F-3-20-30
HZV5-90009-000E-6-8
HZV5-90009-000F-8-10-26
HZV5-90012-013E-13-21
HZV5-90081-010E-3-39
HZV5-90081-010E-3-10-12
HZV5-90081-010E-5-25
HZV5-90110-000F-3-20-34
HZV5-90119-000F-10-44
HZV5-90119-000F-10-77
HZV5-90119-000F-11-35
HZV5-90125-000FOP-1-6-53
HZV5-90127-003F-10-45
HZV5-90127-003F-11-36
HZV5-90131-000E-6-11
HZV5-90302-003F-2-28
HZV5-90304-013F-10-49
HZV5-90307-003F-10-52
HZV5-90501-000F-10-53
HZV5-90502-000F-10-55
HZV5-90504-000F-10-56
HZV5-90552-000F-10-63
HZV5-90557-000FOP-1-6-62
HZV5-90559-000E-6-20-7
HZV5-90559-000F-3-22
HZV5-90559-000F-3-20-45
HZV5-90559-000F-5-20
HZV5-90559-000F-5-1-22
HZV5-90559-000F-10-64
HZV5-90563-000E-6-20-8
HZV5-90563-000F-3-20-46
HZV5-90651-000F-10-66
HZV5-90751-000FOP-1-6-63
HZV5-90756-000F-3-24
HZV5-90756-000F-3-20-50
HZV5-90756-000F-4-24
HZV5-90772-000FOP-1-6-64
HZV5-91151-000FOP-1-6-65
HZV5-91203-821F-11-39
HZV5-91256-003F-10-69
HZV5-91302-821F-11-41
HZV5-91316-821F-11-42
HZV5-91352-000F-10-70
HZV5-91553-010E-15-26
HZV5-91553-010E-20-5
HZV5-91553-010E-20-10-11
HZV5-91553-010F-7-10-25
HZV5-91563-000F-3-20-53
HZV5-91567-000FOP-1-6-67
HZV5-91570-000FOP-1-6-68
HZV7-90508-000F-2-32
HZV7-90951-010F-10-68
HZW1-06411-020F-10-1
HZW1-15631-000E-3-10-6
HZW1-19286-B00F-3-1
HZW1-24210-010F-2-5
HZW1-24327-000F-2-7
HZW1-24343-B02F-4-12
HZW1-24629-000F-2-17
HZW1-31226-004E-21-7
HZW1-31229-004E-21-8
HZW1-31231-004E-21-9
HZW1-36104-003F-11-4
HZW1-38551-000F-7-10-10
HZW1-40107-700F-11-10
HZW1-40209-000F-3-20-11
HZW1-41102-B00F-3-4
HZW1-41109-B00F-3-9
HZW1-56110-701F-11-15
HZW1-56113-701F-11-16
HZW1-56116-701F-11-19
HZW1-56130-702F-11-24
HZW1-56180-701F-11-26
HZW1-56539-000F-10-33
HZW1-56851-703F-11-29
HZW1-56860-701F-11-30
HZW1-90013-000E-15-19
HZW1-90013-000F-7-10-13
HZW1-90014-000E-18-47
HZW1-90102-000F-10-36
HZW1-90106-004E-21-21
HZW1-90107-004E-21-22
HZW1-90108-000F-10-41
HZW1-90113-702F-11-31
HZW1-90114-702F-11-32
HZW1-90115-702F-11-33
HZW1-90116-702F-11-34
HZW1-90203-000F-7-10-17
HZW1-90301-B00F-5-14
HZW1-90301-B00F-5-1-14
HZW1-90304-013F-10-50
HZW1-90308-003F-3-21
HZW1-90401-000E-6-12
HZW1-90652-702F-11-38
HZW1-90758-B00F-5-22
HZW1-90758-B00F-5-1-23
HZW1-90758-B00FOP-12-2
HZW1-91207-013F-11-40
HZW1-91352-702F-11-43
HZW1-91353-703F-11-44
HZW1-91354-701F-11-45
HZW1-91355-701F-11-46
HZW1-91357-701F-11-47
HZW1-91358-701F-11-48
HZW1-91361-701F-11-49
HZW1-91554-000E-18-56
HZW1-91554-000F-8-10-38
HZW1-91557-701F-11-50
HZW2-90003-000E-20-10-7
HZW2-90003-000F-7-10-12
HZW2-90108-000FOP-1-6-52
HZW4-90126-000E-1-19
HZW4-90147-000E-3-10-14
HZW4-90151-000E-3-10-15
HZW4-90155-000E-4-19
HZW4-90156-000E-3-40
HZW4-90156-000E-14-10-18
HZW4-90306-003F-10-51
HZW4-90401-000FOP-1-6-56
HZW4-90402-000FOP-1-6-57
HZW4-91301-003F-3-25
HZW4-91301-003FOP-12-6
HZW5-06241-U00FOP-1-2
HZW5-06241-U10FOP-1-2-2
HZW5-06352-U01FOP-6-1
HZW5-06900-U00FOP-5-1
HZW5-16081-U01E-18-20
HZW5-16086-000E-18-23
HZW5-16087-000E-18-24
HZW5-16715-023E-18-29
HZW5-16733-000E-18-34
HZW5-16915-000E-18-10-9
HZW5-19291-000E-6-10-9
HZW5-19292-000E-6-10-11
HZW5-19297-000E-6-10-15
HZW5-24810-U01FOP-1-3
HZW5-24810-U01FOP-1-2-3
HZW5-24810-U11FOP-1-2-4
HZW5-24811-U01FOP-1-4
HZW5-24811-U01FOP-1-2-5
HZW5-24812-U01FOP-1-5
HZW5-24812-U01FOP-1-2-6
HZW5-24813-U01FOP-1-6
HZW5-24813-U01FOP-1-2-7
HZW5-24813-U21FOP-1-2-8
HZW5-24814-U01FOP-1-7
HZW5-24814-U01FOP-1-2-9
HZW5-24815-U01FOP-1-8
HZW5-24816-U01FOP-1-9
HZW5-24816-U01FOP-1-2-10
HZW5-24816-U01FOP-1-4-8
HZW5-24817-U01FOP-1-10
HZW5-24817-U01FOP-1-2-11
HZW5-24818-U01FOP-1-11
HZW5-24818-U01FOP-1-12
HZW5-24819-U01FOP-1-12
HZW5-24819-U01FOP-1-2-13
HZW5-24825-U01FOP-1-14
HZW5-24825-U01FOP-1-2-15
HZW5-24826-U01FOP-1-15
HZW5-24826-U01FOP-1-2-16
HZW5-24826-U01FOP-1-4-10
HZW5-24831-U01FOP-1-16
HZW5-24831-U01FOP-1-2-17
HZW5-24831-U01FOP-1-4-12
HZW5-24832-U01FOP-1-17
HZW5-24832-U01FOP-1-2-18
HZW5-24832-U01FOP-1-4-13
HZW5-24834-U01FOP-1-18
HZW5-24834-U21FOP-1-2-19
HZW5-32168-003E-18-42
HZW5-35370-U02FOP-1-20
HZW5-35370-U02FOP-1-2-22
HZW5-35370-U12FOP-1-2-23
HZW5-35665-003E-15-16
HZW5-90002-013E-5-14
HZW5-90011-010E-19-22
HZW5-90018-000E-20-10-9
HZW5-90018-000F-7-20-7
HZW5-90021-U00FOP-5-2
HWZ5-90023-000F-2-24
HWZ5-90101-U00FOP-1-22
HWZ5-90101-U00FOP-1-2-25
HWZ5-90101-U00FOP-1-4-20
HWZ5-90102-U00FOP-1-23
HWZ5-90102-U00FOP-1-2-26
HWZ5-90103-U01FOP-1-24
HWZ5-90103-U01FOP-1-2-27
HWZ5-90104-U00FOP-1-25
HWZ5-90104-U00FOP-1-2-28
HWZ5-90105-U01FOP-1-26
HWZ5-90105-U01FOP-1-2-29
HWZ5-90106-U00FOP-1-2
HWZ5-90106-U00FOP-1-2-30
HWZ5-90107-U00FOP-1-28
HWZ5-90107-U00FOP-1-2-31
HWZ5-90108-U00FOP-1-2-32
HWZ5-90109-000FOP-6-3
HWZ5-90109-000FOP-7-18
HWZ5-90109-000FOP-7-1-15
HWZ5-90203-010E-19-25
HWZ5-90301-U00FOP-1-29
HWZ5-90301-U00FOP-1-2-33
HWZ5-90302-003F-10-48
HWZ5-90302-U21FOP-1-2-34
HWZ5-90501-U00FOP-1-30
HWZ5-90501-U00FOP-1-2-35
HWZ5-90501-U00FOP-1-4-26
HWZ5-90502-U00FOP-1-32
HWZ5-90502-U00FOP-1-2-37
HWZ5-90503-U00FOP-1-33
HWZ5-90503-U00FOP-1-2-38
HWZ5-90509-711F-5-16
HWZ5-90509-711F-5-1-16
HWZ5-90511-U00FOP-5-3
HWZ5-90512-U00FOP-5-4
HWZ5-90601-030E-18-10-19
HWZ5-91201-003E-5-16
HWZ5-91202-003E-6-10-35
HWZ5-91251-003F-2-38
HZW7-24810-U01FOP-1-4-2
HZW7-24811-U01FOP-1-4-3
HZW7-24812-U01FOP-1-4-4
HZW7-24813-U01FOP-1-4-5
HZW7-24814-U01FOP-1-4-6
HZW7-24815-U01FOP-1-4-7
HZW7-24817-U01FOP-1-4-9
HZW7-24832-U01FOP-1-4-14
HZW7-24833-U01FOP-1-4-15
HZW7-32530-U00FOP-1-19
HZW7-32530-U00FOP-1-2-20
HZW7-32530-U10FOP-1-2-21
HZW7-32530-U20FOP-1-4-16
HZW7-35370-U02FOP-1-4-17
HZW7-87703-U00FOP-1-4-19
HZW7-90101-U01FOP-1-4-21
HZW7-90102-U01FOP-1-4-22
HZW7-90103-U01FOP-1-4-23
HZW7-90104-U01FOP-1-4-24
HZW7-90301-U01FOP-1-4-25
HZW7-90502-U00FOP-1-4-27
HZW9-19279-000E-6-10-8
HZW9-19291-000E-6-10-10
HZW9-19297-000E-6-10-16
HZW9-32114-730E-1-11
HZW9-32114-730E-3-21
HZW9-35490-003E-3-24
HZW9-87702-800FOP-1-6-49
HZW9-90005-000F-10-34
HZW9-90008-000FOP-1-6-50
HZW9-90009-000F-10-35
HZW9-90011-000E-1-16
HZW9-90011-000E-13-20
HZW9-90011-000F-2-22
HZW9-90013-000F-7-3
HZW9-90013-000F-7-10-14
HZW9-90014-000E-18-1-25
HZW9-90014-000E-20-10-8
HZW9-90014-000F-7-10-15
HZW9-90016-000E-14-19
HZW9-90016-000E-18-48
HZW9-90019-000E-1-17
HZW9-90019-000E-3-34

| | | | | | | | |
|---------------------------|-----------|---------------------------|-----------|---------------------------|-----------|---------------------------|------------|
| HZW9-90019-000 | E-4-16 | HZX2-38228-003 | F-7-20-3 | HZX2-91055-C01 | F-5-1-28 | HZY3-16176-000. | E-15-2 |
| HZW9-90019-000 | E-14-20 | HZX2-38550-003 | F-7-10-9 | HZX2-91056-C01 | F-4-26 | HZY3-16193-A00 | E-18-10-2 |
| HZW9-90101-003 | F-3-10 | HZX2-38552-000 | F-7-10-11 | HZX2-91351-C00 | F-5-30 | HZY3-16196-A00 | E-18-10-3 |
| HZW9-90102-000 | F-2-26 | HZX2-41100-C01ZC. | F-3-10-1 | HZX2-91351-C00 | F-5-1-33 | HZY3-16197-000. | E-18-10-4 |
| HZW9-90102-000 | F-8-10-29 | HZX2-41100-C11ZC. | F-3-10-10 | HZX2-91351-C00 | FOP-12-8 | HZY3-16198-A00 | E-18-10-5 |
| HZW9-90103-010 | F-10-37 | HZX2-41100-E01ZC. | F-3-10-10 | HZX2-91358-C00 | F-4-31 | HZY3-16199-A00 | E-18-10-6 |
| HZW9-90105-000 | F-8-11 | HZX2-41101-C01ZC. | F-3-3 | HZX2-91359-C00 | F-4-32 | HZY3-16203-000. | E-1-6 |
| HZW9-90105-000 | F-8-10-30 | HZX2-41102-E00ZC. | F-3-5 | HZY1-90205-000. | F-3-18 | HZY3-16400-A01 | E-15-3 |
| HZW9-90105-000 | F-10-40 | HZX2-41107-C00ZC. | F-3-8 | HZY1-90205-000. | F-10-47 | HZY3-16405-000. | E-15-5 |
| HZW9-90506-000 | F-8-10-34 | HZX2-41110-305ZB. | F-3-27 | HZY1-90650-003. | FOP-10-2 | HZY3-16451-000. | E-14-2 |
| HZX1-90133-R00 | F-8-13 | HZX2-41112-C00 | F-4-14 | HZY2-87132-R00 | F-12-4 | HZY3-16611-A00 | E-14-3 |
| HZX2-06125-C00 | FOP-12-1 | HZX2-41112-C10 | F-4 | HZY2-87133-R00 | F-12-11 | HZY3-16620-A00 | E-14-5 |
| HZX2-06131-000 | E-7-16 | HZX2-41131-C00 | F-4-16 | HZY3-06412-000. | F-10-2 | HZY3-16708-000. | E-18-28 |
| HZX2-06192-C00 | F-4-35 | HZX2-41131-E00 | F-4 | HZY3-06532-U00 | F-10-3 | HZY3-16721-000. | E-18-31 |
| HZX2-06193-C00 | F-4-36 | HZX2-41140-C00 | F-5-8 | HZY3-11100-415. | E-3-10-1 | HZY3-16733-000. | E-18-35 |
| HZX2-11381-003 | E-6-2 | HZX2-41141-E00. | F-5-1-8 | HZY3-11200-010ZA. | E-3-1 | HZY3-16734-000. | E-18-36 |
| HZX2-11911-000 | E-3-10-2 | HZX2-41150-E00. | F-5-1-9 | HZY3-11300-C00 | E-3-2 | HZY3-16735-004. | E-18-37 |
| HZX2-12000-405ZA. | E-3-3 | HZX2-41151-C00 | F-5-9 | HZY3-11311-010ZA. | E-6-1 | HZY3-16740-A01 | E-14-6 |
| HZX2-13010-000 | E-7-1 | HZX2-41161-C00 | F-5-10 | HZY3-11820-000. | E-13-10-2 | HZY3-16751-000. | E-18-10-7 |
| HZX2-13101-000 | E-7-2 | HZX2-41161-E00. | F-5-1-10 | HZY3-11840-010. | E-13-10-3 | HZY3-16752-000. | E-18-38 |
| HZX2-13321-003 | E-7-10 | HZX2-41200-E00. | F-5-1-37 | HZY3-11861-000. | E-13-10-4 | HZY3-16752-A00 | E-14-8 |
| HZX2-13322-003 | E-7 | HZX2-41201-C00ZC. | F-5-1-11 | HZY3-11871-000. | E-13-10-5 | HZY3-16753-000. | E-18-1-2 |
| HZX2-13323-003 | E-7 | HZX2-41201-C00ZC. | F-5-1-11 | HZY3-11911-010. | E-9-1 | HZY3-16754-000. | E-18-1-3 |
| HZX2-13324-003 | E-7 | HZX2-41202-C00 | F-5-1-12 | HZY3-12155-000. | E-3-5 | HZY3-16755-003. | E-14-9 |
| HZX2-13325-003 | E-7 | HZX2-56000-013 | F-11-13 | HZY3-12164-000. | E-3-6 | HZY3-16757-003. | E-14-10 |
| HZX2-13326-003 | E-7 | HZX2-58130-T01. | FOP-8-1 | HZY3-12171-305. | E-3-7 | HZY3-16807-003. | E-18-1-6 |
| HZX2-13341-003 | E-7-12 | HZX2-58130-T11. | FOP-8 | HZY3-12210-010ZA. | E-9-5 | HZY3-16895-C00 | E-1-9 |
| HZX2-13342-003 | E-7 | HZX2-58130-T21. | FOP-8 | HZY3-12231-000. | E-9-7 | HZY3-16904-003. | E-18-1-14 |
| HZX2-13343-003 | E-7 | HZX2-58130-T31. | FOP-8 | HZY3-12241-000. | E-9-8 | HZY3-16911-010. | E-18-39 |
| HZX2-13344-003 | E-7 | HZX2-58130-T41. | FOP-8 | HZY3-12251-A01 | E-9-9 | HZY3-16913-000. | E-18-40 |
| HZX2-13345-003 | E-7 | HZX2-58130-T51. | FOP-8 | HZY3-12310-405ZA. | E-1-1 | HZY3-16915-010. | E-18-1-18 |
| HZX2-13346-003 | E-7 | HZX2-58130-T61. | FOP-8 | HZY3-12312-000. | E-1-2 | HZY3-16918-003. | E-18-1-20 |
| HZX2-13392-000 | E-7-14 | HZX2-58180-T01. | FOP-8 | HZY3-12320-405ZA. | E-1-3 | HZY3-16919-003. | E-18-1-22 |
| HZX2-13811-000 | E-13-3 | HZX2-58180-T11. | FOP-8 | HZY3-13331-A03 | E-7-11 | HZY3-17051-A00 | E-14-11 |
| HZX2-14111-000 | E-9-10-1 | HZX2-58180-T21. | FOP-8 | HZY3-13331-A04 | E-7 | HZY3-17061-A00 | E-14-13 |
| HZX2-14211-000 | E-9-10-2 | HZX2-58180-T31. | FOP-8 | HZY3-13391-000. | E-7-13 | HZY3-17105-004. | E-14-10-1 |
| HZX2-14526-405ZA. | E-13-10 | HZX2-58180-T41. | FOP-8 | HZY3-13398-003. | E-7-15 | HZY3-17108-000. | E-14-16 |
| HZX2-15655-000 | E-3-15 | HZX2-58180-T51. | FOP-8 | HZY3-13621-C01 | E-13-1 | HZY3-17109-004. | E-14-10-2 |
| HZX2-16020-003 | E-18-4 | HZX2-58180-T61. | FOP-8 | HZY3-13622-C00 | E-13-2 | HZY3-17110-003. | E-14-10-3 |
| HZX2-16024-003 | E-18-1-34 | HZX2-63100-R00ZA. | F-8-2 | HZY3-14261-C00 | E-13-4 | HZY3-17113-003. | E-14-10-4 |
| HZX2-16030-003 | E-18-7 | HZX2-63111-C00ZB. | F-8-6 | HZY3-14270-C00 | E-13-5 | HZY3-17130-003ZA. | E-14-10-5 |
| HZX2-16404-000 | E-15-4 | HZX2-63119-C00 | F-8-7 | HZY3-14436-000. | E-9-10-3 | HZY3-17138-000. | E-14-10-6 |
| HZX2-16700-003 | E-1-7 | HZX2-63260-C00 | F-8-10-23 | HZY3-14510-003. | E-13-7 | HZY3-17721-004. | E-18-10-12 |
| HZX2-16701-003 | E-18-27 | HZX2-63710-C00ZB. | F-3-20-20 | HZY3-14515-000. | E-13-8 | HZY3-17723-A01 | E-18-10-13 |
| HZX2-16730-003 | E-18-33 | HZX2-63715-C00ZB. | F-3-20-21 | HZY3-14520-000. | E-13-9 | HZY3-17724-010. | E-18-10-14 |
| HZX2-16800-003 | E-18-1-4 | HZX2-63719-C00 | F-3-20-23 | HZY3-14529-000. | E-13-11 | HZY3-17738-000. | F-8-20-2 |
| HZX2-16805-003 | E-18-1-5 | HZX2-87117-C00 | F-12-2 | HZY3-14550-003. | E-13-12 | HZY3-17877-000. | F-2-2 |
| HZX2-16814-000 | E-18-1-7 | HZX2-87121-R00 | F-12-3 | HZY3-14553-003. | E-13-14 | HZY3-17910-013. | E-15-10 |
| HZX2-16850-C00 | F-8-20-1 | HZX2-90001-C00 | E-5-13 | HZY3-14555-003. | E-13-15 | HZY3-17931-000. | F-2-3 |
| HZX2-16860-C00 | E-18-1-8 | HZX2-90002-000 | E-19-21 | HZY3-15100-000ZA. | E-5-1 | HZY3-18110-010ZA. | E-4-2 |
| HZX2-16870-C00 | E-1-8 | HZX2-90101-C00 | F-2-25 | HZY3-15112-013. | E-5-2 | HZY3-18115-003. | E-4-3 |
| HZX2-16880-C00 | E-18-1-9 | HZX2-90102-C00 | F-3-20-31 | HZY3-15113-000. | E-5-3 | HZY3-18120-C01ZA. | E-4-4 |
| HZX2-16890-C00 | E-18-1-10 | HZX2-90105-C00 | F-4-17 | HZY3-15121-000. | E-5-4 | HZY3-18125-003. | E-4-5 |
| HZX2-16900-003 | E-18-1-11 | HZX2-90107-C00 | F-3-13 | HZY3-15131-405. | E-5-5 | HZY3-18141-A00ZA. | E-6-10-2 |
| HZX2-16912-003 | E-18-1-16 | HZX2-90129-000 | F-10-46 | HZY3-15132-405. | E-5-6 | HZY3-18148-003. | E-6-10-3 |
| HZX2-16914-000 | E-18-1-17 | HZX2-90301-C00 | F-4-19 | HZY3-15220-020. | E-5-7 | HZY3-18149-A01 | E-6-10-4 |
| HZX2-16940-003 | E-18-1-24 | HZX2-90303-C00 | F-4-20 | HZY3-15425-010. | E-1-5 | HZY3-18151-A00ZA. | E-6-10-5 |
| HZX2-17374-000 | E-15-9 | HZX2-90502-003 | F-8-10-33 | HZY3-15656-000. | E-3-16 | HZY3-18330-020. | E-6-3 |
| HZX2-19234-C00 | F-4-5 | HZX2-90518-C00 | F-4-22 | HZY3-15657-000. | E-3-17 | HZY3-18333-003. | E-6-4 |
| HZX2-19241-C00 | F-4-6 | HZX2-90519-C00 | F-4 | HZY3-15810-003ZA. | E-3-18 | HZY3-18340-020. | E-6-5 |
| HZX2-19300-003 | E-4-10 | HZX2-90520-C00 | F-4 | HZY3-15825-003. | E-3-19 | HZY3-19210-000. | F-4-1 |
| HZX2-19303-003 | E-4-11 | HZX2-90521-C00 | F-4 | HZY3-16011-A01 | E-18-1 | HZY3-19221-010. | F-4-2 |
| HZX2-19313-000ZA. | E-4-12 | HZX2-90528-C00 | F-5-18 | HZY3-16013-000. | E-18-2 | HZY3-19223-000. | F-4-3 |
| HZX2-19315-000ZA. | E-4-13 | HZX2-90528-C00 | F-5-1-18 | HZY3-16015-000. | E-18-3 | HZY3-19231-000. | F-4-4 |
| HZX2-19511-000 | E-13-16 | HZX2-90528-E00. | F-5-1-19 | HZY3-16016-003. | E-15-1 | HZY3-19251-000. | F-4-7 |
| HZX2-19540-010 | E-15-29 | HZX2-90529-C00 | F-5 | HZY3-16024-000. | E-18-5 | HZY3-19251-611. | F-4 |
| HZX2-24101-C00 | F-5-1 | HZX2-90529-C00 | F-5-1-1 | HZY3-16026-000. | E-18-6 | HZY3-19252-000. | E-6-6 |
| HZX2-24101-C00 | F-5-1-1 | HZX2-90529-E00. | F-5-1-1 | HZY3-16031-010. | E-18-8 | HZY3-19253-000. | F-4-8 |
| HZX2-30416-000 | E-20-10-1 | HZX2-90530-C00 | F-5 | HZY3-16036-003. | E-18-9 | HZY3-19254-000. | E-6-7 |
| HZX2-30520-003 | E-20-2 | HZX2-90530-C00 | F-5-1-1 | HZY3-16041-000. | E-18-10 | HZY3-19255-000. | E-4-6 |
| HZX2-31110-000ZA. | E-5-11 | HZX2-90530-E00. | F-5-1-1 | HZY3-16042-000. | E-18-11 | HZY3-19256-010. | E-4-7 |
| HZX2-31916-003 | E-20-3 | HZX2-90531-C00 | F-5 | HZY3-16061-000. | E-18-12 | HZY3-19257-000. | E-4-8 |
| HZX2-32100-010 | F-7-1 | HZX2-90531-C00 | F-5-1-1 | HZY3-16072-000. | E-18-13 | HZY3-19258-010. | E-18-10-15 |
| HZX2-32166-003 | E-18-41 | HZX2-90531-E00. | F-5-1-1 | HZY3-16073-000. | E-18-14 | HZY3-19259-000. | E-18-10-16 |
| HZX2-32370-004 | F-7-20-1 | HZX2-90541-E01. | F-5-1-20 | HZY3-16074-000. | E-18-15 | HZY3-19261-000. | E-4-9 |
| HZX2-32410-000 | F-7-10-3 | HZX2-90542-E01. | F-5-1-21 | HZY3-16075-000. | E-18-16 | HZY3-19270-000. | F-3-20-1 |
| HZX2-32414-300 | F-7-10-5 | HZX2-90651-C00 | F-5-21 | HZY3-16076-000. | E-18-17 | HZY3-19271-000. | F-3-20-2 |
| HZX2-32415-000 | F-7-10-7 | HZX2-90683-003 | E-18-1-32 | HZY3-16077-000. | E-18-18 | HZY3-19272-000. | F-3-20-3 |
| HZX2-32435-000 | F-7-10-8 | HZX2-90683-003 | F-7-10-22 | HZY3-16078-000. | E-18-19 | HZY3-19277-000ZA. | E-6-10-6 |
| HZX2-34750-023 | E-20-10-4 | HZX2-91051-C01 | F-5-24 | HZY3-16082-000. | E-18-21 | HZY3-19278-000. | E-6-10-7 |
| HZX2-35470-013 | F-2-18 | HZX2-91053-C01 | F-4-25 | HZY3-16083-000. | E-18-22 | HZY3-19289-000. | F-3-20-4 |
| HZX2-36120-003 | F-11-5 | HZX2-91054-E01. | F-5-1-27 | HZY3-16087-000. | E-18-25 | HZY3-19294-000ZB. | E-6-10-12 |
| HZX2-36129-003 | F-11-8 | HZX2-91055-C01 | F-5-25 | HZY3-16088-000. | E-18-26 | HZY3-19295-000. | E-6-10-13 |

HZY3-19296-000. E-6-10-14
HZY3-19297-000. E-6-10-17
HZY3-19298-000ZB. E-6-10-18
HZY3-19361-000. E-6-10-19
HZY3-19362-000. E-6-10-20
HZY3-19366-000. E-6-10-21
HZY3-23170-030ZA. E-6-10-22
HZY3-23172-003. E-6-20-1
HZY3-23173-010. E-6-10-23
HZY3-24102-000. F-5-2
HZY3-24102-000. F-5-1-2
HZY3-24103-000. F-5-3
HZY3-24103-000. F-5-1-3
HZY3-24113-A01. F-5-4
HZY3-24113-A01. F-5-1-4
HZY3-24122-A01. F-5-5
HZY3-24122-A01. F-5-1-5
HZY3-24123-000. F-5-6
HZY3-24123-000. F-5-1-6
HZY3-24124-310. F-5-7
HZY3-24124-310. F-5-1-7
HZY3-24221-000. F-2-6
HZY3-24310-C00. F-4-9
HZY3-24310-E00. F-4-
HZY3-24318-000. F-4-10
HZY3-24610-A00. F-2-8
HZY3-24612-010. F-2-9
HZY3-24613-000. F-2-10
HZY3-24617-000. F-2-11
HZY3-24618-000. F-2-12
HZY3-24619-000. F-2-13
HZY3-24620-000. F-2-14
HZY3-24623-000. F-2-15
HZY3-24628-000. F-2-16
HZY3-30280-003. F-11-1
HZY3-31106-003. F-11-2
HZY3-31116-000. E-5-12
HZY3-31200-003. E-21-1
HZY3-31207-003. E-21-3
HZY3-31216-003. E-21-5
HZY3-31226-003. E-21-
HZY3-31232-003. E-21-
HZY3-31235-003. E-21-10
HZY3-31236-003. E-21-11
HZY3-31240-003. E-21-12
HZY3-31241-003. E-21-
HZY3-31242-003. E-21-13
HZY3-31243-003. E-21-
HZY3-31246-003. E-21-15
HZY3-31247-003. E-21-16
HZY3-31249-003. E-21-17
HZY3-31250-003. E-21-18
HZY3-31251-003. E-21-24
HZY3-31630-003. E-19-14
HZY3-31631-003. E-19-15
HZY3-31637-000. E-19-16
HZY3-31638-003. E-13-17
HZY3-31639-003. E-19-17
HZY3-31694-003. E-19-18
HZY3-31710-003. E-19-19
HZY3-31750-003. E-19-20
HZY3-32111-010. E-13-18
HZY3-32112-000. E-14-17
HZY3-32116-000. E-3-22
HZY3-32128-000. E-14-10-8
HZY3-32129-000. E-1-12
HZY3-32193-C00. E-3-23
HZY3-32411-003. F-7-10-4
HZY3-32419-A00. F-8-10-1
HZY3-32421-000. F-8-10-2
HZY3-34754-C00. E-20-10-5
HZY3-35476-010. F-2-19
HZY3-35477-000. F-2-20
HZY3-35490-004. E-3-25
HZY3-35640-013. F-3-20-5
HZY3-35645-000. F-3-20-6
HZY3-35655-C01. E-4-14
HZY3-35660-003. F-10-7
HZY3-35673-003. E-3-26
HZY3-35673-003. E-4-15
HZY3-35695-003. E-13-10-6
HZY3-35700-003. E-3-27
HZY3-36122-013. F-11-6
HZY3-36123-013. F-11-7
HZY3-36163-003. E-14-10-10
HZY3-36362-000. E-18-44
HZY3-36550-003. E-15-17
HZY3-36620-000. E-18-45
HZY3-40105-C01. F-8-10-3
HZY3-40114-010. F-3-20-8
HZY3-40119-003. F-8-10-4
HZY3-40151-000ZC. F-3-20-9
HZY3-40154-000ZA. F-8-10-5
HZY3-40155-000. F-8-10-6
HZY3-40157-000. F-8-10-7
HZY3-40158-000. F-8-10-8
HZY3-40159-000. F-8-10-9
HZY3-40201-020ZC. F-3-20-10
HZY3-40201-612ZC. F-3-20-
HZY3-40204-000. F-4-13
HZY3-40210-610. F-3-20-12
HZY3-40212-010ZC. F-3-20-13
HZY3-40212-611ZC. F-3-20-
HZY3-40219-013. F-10-9
HZY3-40219-013. F-11-11
HZY3-40225-010. F-3-20-14
HZY3-40226-010. F-3-20-15
HZY3-41104-C01. F-3-6
HZY3-41105-C01. F-3-7
HZY3-41116-000. F-4-15
HZY3-41179-A00. F-10-12
HZY3-50100-A01. F-10-13
HZY3-50100-A11. F-10-
HZY3-50109-000. F-10-14
HZY3-50111-020. F-3-20-16
HZY3-50151-000. F-10-15
HZY3-50153-000. F-10-16
HZY3-50155-000. F-3-20-17
HZY3-50157-010. F-3-20-18
HZY3-50161-000ZD. F-10-17
HZY3-50161-610. F-10-
HZY3-50166-000. F-10-18
HZY3-50168-000. F-10-19
HZY3-50201-C01ZD. F-10-20
HZY3-50201-C11ZC. F-10-
HZY3-50209-A00. F-10-21
HZY3-50211-000. F-10-22
HZY3-50214-000. F-10-23
HZY3-50301-030ZC. F-10-24
HZY3-50311-020ZC. F-10-25
HZY3-50381-000. F-10-26
HZY3-50388-U00. FOP-9-1
HZY3-50388-U10. FOP-9-2
HZY3-50522-000. F-10-27
HZY3-50527-000. F-10-28
HZY3-50529-000. F-10-29
HZY3-56100-013. F-11-14
HZY3-56120-013. F-11-22
HZY3-56170-013. F-11-25
HZY3-56516-A00. F-10-30
HZY3-56518-A00. F-10-31
HZY3-56519-A00. F-10-32
HZY3-56532-000. F-11-28
HZY3-60180-C01. F-8-10-12
HZY3-60185-C01. F-8-10-13
HZY3-63102-010. F-8-3
HZY3-63107-000. F-8-4
HZY3-63108-000. F-8-5
HZY3-63201-000ZC. F-8-10-14
HZY3-63205-000. F-8-10-15
HZY3-63208-000. F-8-10-16
HZY3-63212-000. F-8-10-17
HZY3-63223-000. F-8-10-18
HZY3-63224-000. F-8-10-19
HZY3-63225-000. F-8-10-20
HZY3-63226-000. F-8-10-21
HZY3-63230-C00. F-8-10-22
HZY3-63347-C00. F-3-20-19
HZY3-63718-000. F-3-20-22
HZY3-63722-010ZC. F-3-20-24
HZY3-63728-000. F-3-20-25
HZY3-63729-003. F-8-10-25
HZY3-63731-A03ZC. F-3-20-26
HZY3-63731-A12ZC. F-3-20-
HZY3-63736-A03ZC. F-3-20-27
HZY3-63736-A12ZC. F-3-20-
HZY3-63751-C00. F-3-20-28
HZY3-63756-C00. F-3-20-29
HZY3-90001-000. E-3-28
HZY3-90002-000. E-21-19
HZY3-90003-000. E-21-20
HZY3-90006-003. E-3-29
HZY3-90007-000. E-13-10-7
HZY3-90008-003. E-3-30
HZY3-90009-003. E-3-31
HZY3-90010-000. E-6-20-3
HZY3-90011-000. E-6-20-4
HZY3-90013-000. E-6-20-5
HZY3-90015-000. E-6-20-6
HZY3-90017-000. E-3-33
HZY3-90017-000. E-13-23
HZY3-90017-000. E-18-49
HZY3-90017-000. E-19-23
HZY3-90017-000. F-2-23
HZY3-90018-000. E-13-10-9
HZY3-90021-000. E-3-35
HZY3-90021-000. E-14-21
HZY3-90021-000. E-18-50
HZY3-90021-000. F-8-10-27
HZY3-90023-000. E-14-10-14
HZY3-90026-000. E-9-12
HZY3-90027-000. E-4-17
HZY3-90028-000. E-3-36
HZY3-90029-000. E-14-10-15
HZY3-90030-000. E-3-37
HZY3-90030-000. E-3-10-8
HZY3-90030-000. E-6-10-24
HZY3-90030-000. E-13-24
HZY3-90030-000. E-15-21
HZY3-90031-000. E-3-10-9
HZY3-90031-000. E-6-10-25
HZY3-90031-000. E-14-10-16
HZY3-90034-000. E-4-18
HZY3-90034-000. E-15-22
HZY3-90035-000. E-9-13
HZY3-90036-000. E-1-18
HZY3-90037-000. E-15-23
HZY3-90038-000. E-3-38
HZY3-90039-000. E-13-26
HZY3-90040-000. E-13-27
HZY3-90041-000. E-3-10-10
HZY3-90042-000. E-14-22
HZY3-90043-000. E-14-23
HZY3-90044-000. E-14-24
HZY3-90045-000. E-6-10-26
HZY3-90046-000. E-6-10-27
HZY3-90047-000. E-6-10-28
HZY3-90049-000. E-6-10-29
HZY3-90050-000. E-18-51
HZY3-90053-010. E-6-9
HZY3-90054-000. E-18-52
HZY3-90055-000. E-19-24
HZY3-90056-000. E-18-1-26
HZY3-90058-000. E-14-10-17
HZY3-90059-000. E-6-10-30
HZY3-90063-000. E-3-10-11
HZY3-90082-003. E-3-10-13
HZY3-90102-A00. F-3-20-32
HZY3-90104-010. F-10-39
HZY3-90105-010. F-3-20-33
HZY3-90106-A00. F-8-10-31
HZY3-90107-000. F-7-10-16
HZY3-90109-010. F-8-12
HZY3-90111-000. F-3-20-36
HZY3-90113-C00. F-3-20-35
HZY3-90117-000. F-10-43
HZY3-90120-000. F-3-14
HZY3-90122-000. F-3-20-37
HZY3-90123-000. F-5-13
HZY3-90123-000. F-5-1-13
HZY3-90124-000. F-3-15
HZY3-90129-A00. F-3-20-38
HZY3-90132-000. F-3-20-39
HZY3-90134-000. F-3-20-40
HZY3-90204-000. E-3-10-16
HZY3-90205-000. E-14-25
HZY3-90205-000. E-14-10-19
HZY3-90302-000. F-3-20-42
HZY3-90304-000. F-7-10-18
HZY3-90405-000. F-7-10-19
HZY3-90406-000. E-1-20
HZY3-90501-A00. F-10-54
HZY3-90503-610. F-3-20-43
HZY3-90504-A00. F-10-57
HZY3-90506-000. F-5-15
HZY3-90506-000. F-5-1-15
HZY3-90507-000. F-8-15
HZY3-90508-000. E-15-24
HZY3-90508-000. F-2-33
HZY3-90509-000. F-10-58
HZY3-90510-000. F-10-59
HZY3-90511-000. F-3-20-44
HZY3-90512-000. F-5-17
HZY3-90512-000. F-5-1-17
HZY3-90548-000. F-5-19
HZY3-90549-000. F-5-
HZY3-90550-000. F-5-
HZY3-90551-000. F-5-
HZY3-90552-000. F-5-
HZY3-90553-000. F-5-
HZY3-90554-000. F-5-
HZY3-90555-000. F-5-
HZY3-90556-000. F-5-
HZY3-90557-000. F-5-
HZY3-90558-000. F-5-
HZY3-90559-000. F-5-
HZY3-90560-000. F-5-
HZY3-90601-030. E-4-20
HZY3-90601-030. E-18-10-25
HZY3-90602-020. E-1-21
HZY3-90603-020. E-4-21
HZY3-90604-020. E-4-22
HZY3-90652-000. F-3-20-48
HZY3-90653-003. F-7-4
HZY3-90741-000. E-13-29
HZY3-90751-000. F-2-36
HZY3-90752-003. F-4-23
HZY3-91001-003. E-6-10-34
HZY3-91056-711. F-5-26
HZY3-91056-711. F-5-1-29
HZY3-91057-003. F-5-27
HZY3-91057-003. F-5-1-30
HZY3-91151-000. F-5-28
HZY3-91151-000. F-5-1-31
HZY3-91152-003. F-2-37
HZY3-91212-003. E-3-42
HZY3-91251-C01. F-4-27
HZY3-91251-C01. FOP-12-3
HZY3-91254-003. F-4-28
HZY3-91254-003. FOP-12-5
HZY3-91255-003. F-2-39
HZY3-91301-003. E-4-23
HZY3-91303-000. E-21-23
HZY3-91304-000. E-6-10-37
HZY3-91305-003. E-6-10-38
HZY3-91306-003. E-6-10-39
HZY3-91356-003. F-4-30
HZY3-91401-A00. E-1-25
HZY3-91402-020. E-1-26
HZY3-91403-000. E-1-27
HZY3-91404-000. E-6-10-40
HZY3-91405-000. E-6-10-41
HZY3-91451-000. F-3-20-51
HZY3-91508-000. E-13-10-10
HZY3-91551-000. F-4-33
HZY3-91552-000. F-3-20-52
HZY3-91556-000. F-8-16
HZY3-91560-000. F-10-71
HZY3-91651-003. F-3-20-54
HZY6-16450-003. E-14-1
HZY6-16718-013. E-18-30
HZY6-16723-003. E-18-32
HZY6-19269-000. E-18-10-17
HZY6-24320-000. F-4-11
HZY6-24320-610. F-4-
HZY6-32371-004. F-7-20-2
HZY6-32414-600. F-7-10-6
HZY6-36135-003. E-18-10-18
HZY6-38235-004. F-7-20-4
HZY6-39794-003. F-7-20-6
HZY6-90103-000. F-3-12
HZY6-90103-000. F-10-38

HZY6-90135-004. F-7-20-8
 HZY6-91553-000. F-3-20-
 HZY9-17315-000. E-15-8
 HZY9-30419-003. E-20-1
 HZY9-30419-003. E-20-10-2
 HZY9-30419-003. F-7-10-1
 HZY9-31207-H01 E-21-
 HZY9-31226-H01 E-21-
 HZY9-31229-H01 E-21-
 HZY9-31246-H01 E-21-
 HZY9-32103-000. F-7-10-2
 HZY9-38553-003. E-20-10-6
 HZY9-56115-003. F-11-18
 HZY9-90017-000. E-15-20
 HZY9-90105-000. E-20-4
 HZZ0-90101-000. F-3-11
 HZZ3-06240-R30 FOP-1-1
 HZZ3-06240-R40 FOP-1-4-1
 HZZ3-06240-R60 FOP-1-2-1
 HZZ3-06323-R20 FOP-7-1
 HZZ3-06323-R30 FOP-7-1-1
 HZZ3-06328-762. FOP-10-1
 HZZ3-24800-R00 FOP-1-6-1
 HZZ3-24820-R11 FOP-1-13
 HZZ3-24820-R21 FOP-1-2-14
 HZZ3-24830-R41 FOP-1-4-11
 HZZ3-32101-000. E-20-10-3
 HZZ3-32127-000. F-7-2
 HZZ3-32341-R31 FOP-7-3
 HZZ3-32346-R21 FOP-7-4
 HZZ3-32346-R31 FOP-7-1-3
 HZZ3-32347-R01 FOP-7-5
 HZZ3-35100-R11 FOP-1-6-38
 HZZ3-35100-R11 FOP-7-9
 HZZ3-35100-R11 FOP-7-1-7
 HZZ3-37205-R01 FOP-7-13
 HZZ3-87301-R00 F-12-12
 HZZ3-87701-R00 FOP-1-6-47
 HZZ3-87701-R40 FOP-1-4-18
 HZZ3-87703-R01 FOP-1-2-24
 HZZ3-87703-R81 FOP-1-21
 HZZ3-91252-003. F-5-29
 HZZ3-91252-003. F-5-1-32
 HZZ3-91252-003. FOP-12-4
 HZZ5-06325-600. FOP-13-1
 HZZ5-06325-700. FOP-13-
 HZZ5-06325-800. FOP-13-
 HZZ5-16901-003. E-18-1-12
 HZZ5-16906-003. E-18-1-15
 HZZ5-16915-000. E-18-1-19
 HZZ5-16918-003. E-18-1-21
 HZZ5-16919-003. E-18-1-23
 HZZ5-32185-600. FOP-13-2
 HZZ5-32185-700. FOP-13-
 HZZ5-32185-800. FOP-13-
 HZZ5-32530-000. FOP-1-6-34
 HZZ5-32545-000. FOP-7-6
 HZZ5-32545-000. FOP-7-1-4
 HZZ5-32580-600. FOP-13-3
 HZZ5-32580-700. FOP-13-
 HZZ5-32580-800. FOP-13-
 HZZ5-37210-013. FOP-1-6-44
 HZZ5-37210-712. FOP-7-1-11
 HZZ5-37210-762. FOP-7-14
 HZZ5-38414-003. FOP-7-17
 HZZ5-38414-003. FOP-7-1-14
 HZZ5-91501-000. F-7-10-23

TOHATSU CORPORATION

**Address : 5-4,3-chome,Azusawa,Itabashi-ku,
TOKYO,174-0051 JAPAN**

Phone : TOKYO (03)3966-3117

FAX : TOKYO (03)3966-0090

Website : www.tohatsu.co.jp